



ALY-05

**KAYDIRMASIZ FREN BLOKU
MONTAJ, KULLANMA VE BAKIM KILAVUZU**

ALY-05

**INSTANTANEOUS SAFETY GEAR
MOUNTING, OPERATING AND MAINTENANCE MANUAL**



ALY05

KAYDIRMASIZ FREN BLOKU MONTAJ, KULLANMA VE BAKIM KILAVUZU

Yayın Tarihi : Temmuz 2022
Revizyon No : Rev 0

Published Date : July 2022
Revision No : Rev 0

İÇİNDEKİLER

1. GENEL BİLGİLER	6
2. FREN BLOK ETİKETİ VE GENEL ÖZELLİKLERİ	6
2.1 ETİKET	6
2.2 FREN BLOK ÖZELLİKLERİ VE KULLANIMI	7
3. MONTAJ VE AYARLAMA	8-11
3.1 MONTAJ	8-9
3.2 FREN BLOK AYARLAMASI	9-10
3.3 FREN BLOK ARA BAĞLANTI KOLU AYARLAMASI	10
3.3.1 ARA BAĞLANTI KOLU	11
4. SORUMLULUKLAR VE BAKIM	12
4.1 DEPOLAMA	12
5. ÖLÇÜLER	13
6. CE BELGESİ VE AB UYGUNLUK BEYANI	26 - 29
7. ENGLISH	15

1- GENEL BİLGİLER

ALY05 kaydırmaz fren bloku 2014/33/eu 81:20 – 81:50 asansör direktiflerini karşılamaktadır. Kaydırmaz fren bloku max taşıma kapasitesi (P+Q) hıza bağlı olarak değişmektedir.

P = kabin + kabine asılı parçalar
Q = beyan yükü

Kaydırmaz fren blokuna ait bilgiler yanına perçinle sabitlenmiş metal etiket üzerine silinmeyecek şekilde yazılmıştır.



Kesinlikle yapılmamalıdır.

- Farklı seri numaralı fren blok gövdeleri birleştirilerek kullanılmamalıdır.
- Hız ve taşıma kapasitesi uygun olmayan asansörde kullanılmamalıdır.
- Fren blok parçalarının herhangi birinde değişiklik yapılmamalıdır.

Aksöz Makine San Ve Tic Ltd Şti, Bu Genel Talimatlardan Birine Uyulmaması Durumunda Sorumlu Tutulamaz.

2- FREN BLOK ETİKETİ VE GENEL ÖZELLİKLERİ

2.1 ETİKET

 AKSÖZ MAKİNA LTD ŞTİ 1187. SOK NO : 8 OSTİM / ANKARA / TURKEY		 2201
PROGRESSIVE SAFETY GEAR	CERTIFICATE NO	
MIN-MAX RATED SPEED (M/S)	TYPE	
MIN-MAX P+Q (KG)	GUIDE RAIL TYPE	
PRODUCT DATE	SERIAL NO	

FREN BLOKU ETİKET BİLGİLERİ AÇIKLAMASI

1	Ce İşareti ve Akredite Kuruluş Ce Kodu	6	Üretim Tarihi
2	Aksöz Makine Ltd Şti Adres Bilgileri	7	Eu Tip Belge Numarası
3	Fren Blok Tipi	8	Eu Tip adı
4	Min – Max Beyan Hızı (m/s)	9	Ray Tipi
5	Min - Max Kapasite (P+Q) / Kg	10	Seri No

2.2 FREN BLOK ÖZELLİKLERİ VE KULLANIMI

a) Kaydırmaz fren bloku ile kullanılabilen ray tipleri

TİP	T89	T90	T114	T125	T127
YÜZEY TİPİ	Soğuk Çekim / İşlenmiş	Soğuk Çekim / İşlenmiş	Soğuk Çekim / İşlenmiş	Soğuk Çekim / İşlenmiş	Soğuk Çekim / İşlenmiş
RAY ÖLÇÜLERİ	89x62x16	90x75x16	114x89x16	125x82x16	127x89x16

Ray Tolerans Ölçüleri Iso 7495:197 Standartına Uygun Olmalıdır

b) Bu fren bloğu frenleme hızı yönetmeliklerde kesin olarak belirlenmiştir.

Tip	Maximum Nominal hız (m/s)	Maximum Frenleme Hızı (m/s)
Kabin	0,63	1
Karşı Ağırlık	1	1,5

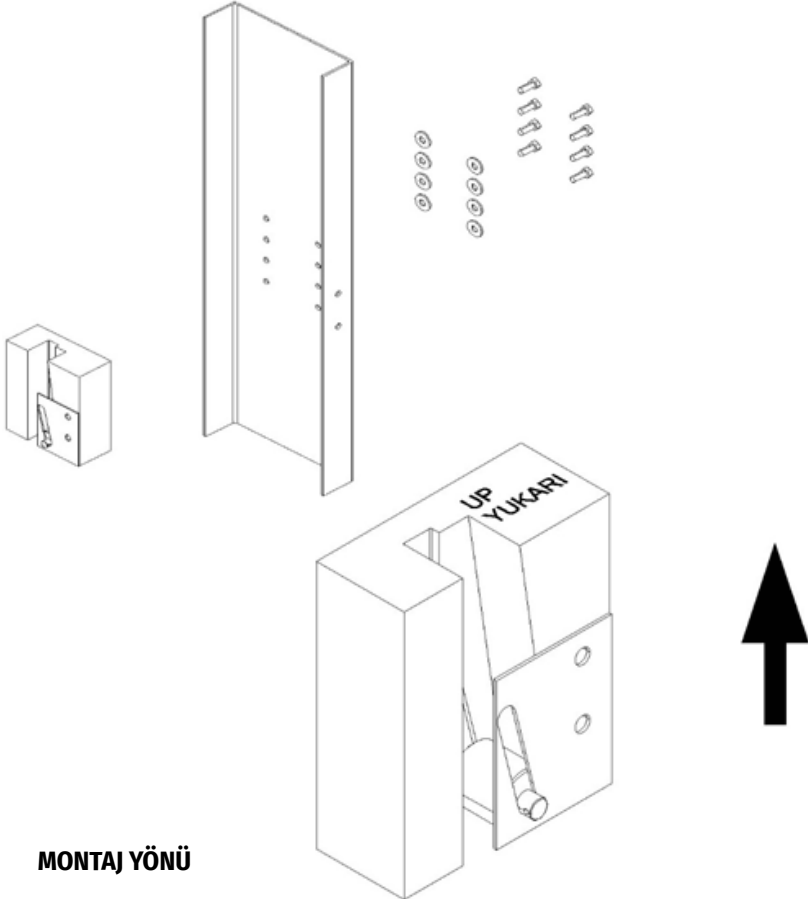
3- MONTAJ VE AYARLAMA

3.1 KARKAS MONTAJI

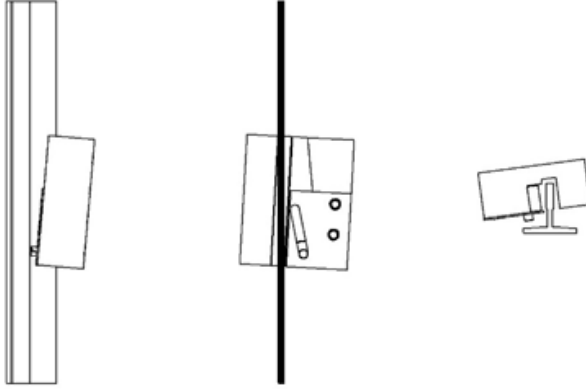
Madde 5 de fren blok gövdesinin belirtilen ölçülere uygun olarak, kabin veya karşı ağırlık karkasını ortalayarak uygun ölçüde delikleri hazırlayın.

Fren blok gövde civata ölçüleri 4 adet M12 dir.

Fren blokunu kabin veya karşı ağırlık karkasına sabitlemek için, 8.8 kalite M12 civata için 79.09 nm'lik bir sıkma torqu öneriyoruz.



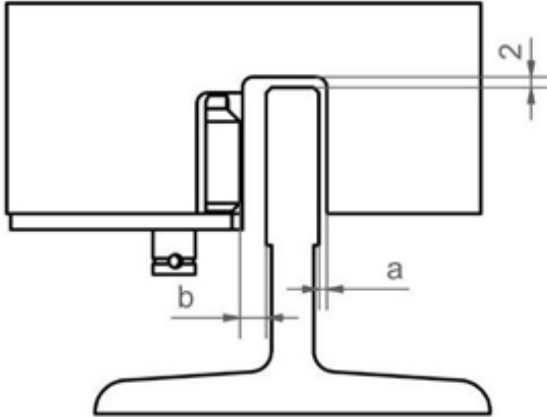
Montaj sırasında fren blok gövdesi hem dikey hem de yatay olarak kılavuz raylarına mükemmel bir şekilde hizalanmalıdır. Yanlış montaj, güvenlik tertibatının hatalı çalışmasına neden olabilir.



HATALI MONTAJ

3.2 FREN BLOK AYARLARI

Kılavuz rayın fren blok gövdesi içindeki konumu aşağıda belirtilen ölçülerde olmalıdır.



Type	T89	T90	T114	T125	T127
a	1	1	1	1	1
b	4	4	4	4	4



Kuyuda kurulum sırasında montaj yapan kişinin belirtilen ölçülere titizlikle uyması çok önemlidir.

3.3 FREN BLOK ARA BAĞLANTI KOLU AYARLAMASI

Fren blok ara bağlantı kolu ve radansanın düzgün bir şekilde bağlanması, ve gövdeler arasındaki senkronizasyonun sağlanması montajı yapan kişinin sorumluluğundadır.

Fren blokunun devreye girmesi için gereken minimum kuvvet 300N'dir.

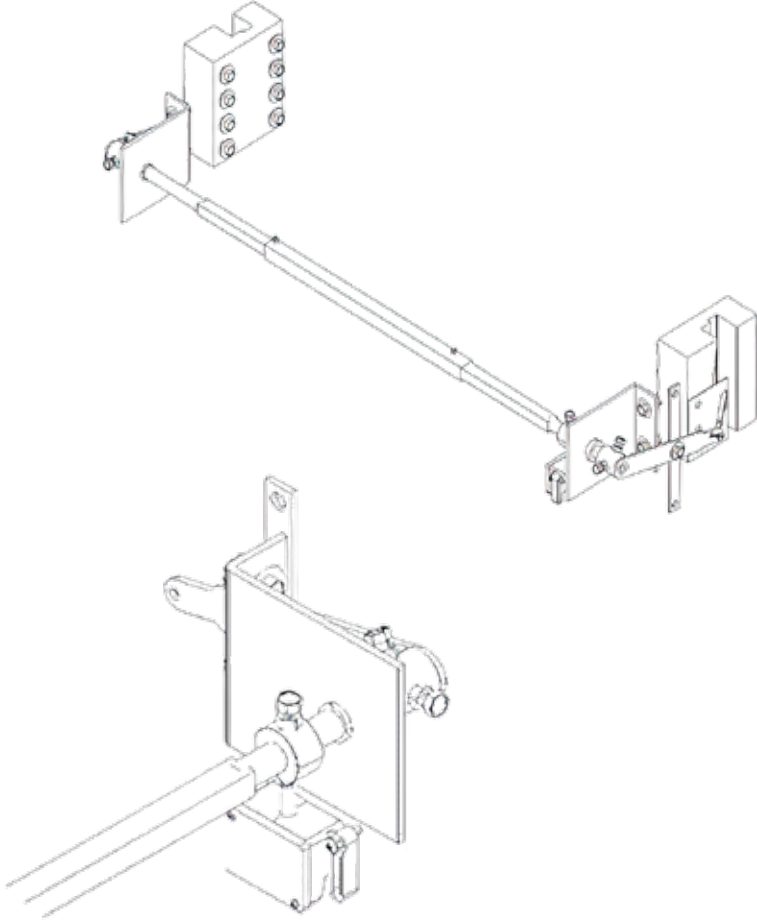


Emniyet siviçi en 60947-5-1'de tanımlandığı gibi bir AC-15 veya DC-13 güvenlik kontağı içermesini gerektirir.

3.3.1 ARA BAĞLANTI KOLU



Fren blok ara bağlantı koluna gelecek kuvvet max 1900 N geçmesi önerilmez. Bu değerden fazla gelebilecek bir kuvvet, fren blok ara bağlantı kolunun zarar görmesine neden olabilir.



FREN BLOK ARA BAĞLANTI KOLU

4- SORUMLULUKLAR VE BAKIM

4.1 DEPOLAMA

Fren bloęu serin ve kuru bir yerde saklanmalıdır. Aşırı ışıktan korunmalıdır. Asla şiddetli hava koşullarına maruz bırakılmamalıdır.

Depolama sıcaklığı : 5 - 40°C
Depolama nemi : % 15 - 85

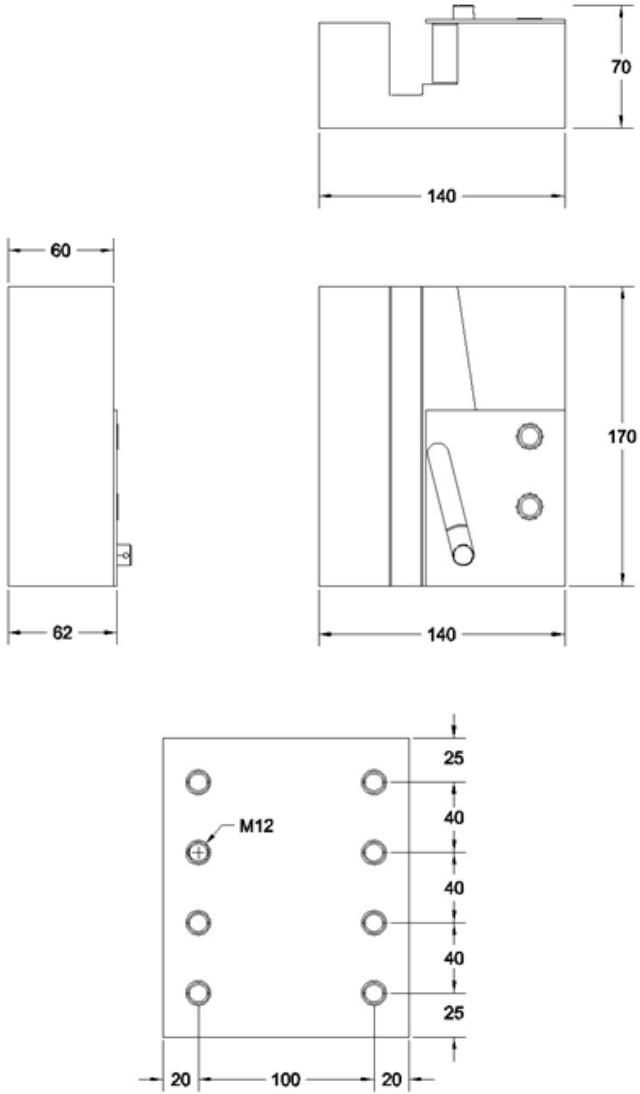
Güvenlik tertibatlarının ambalajı temiz ve kuru olmalıdır.

Paket üzerine, paketin bozulması neden olabilecek sabit veya dengesiz yükler konulmasına veya paketlerin üst üste istiflenmesine izin verilmez.

Ürünleri veya paketleri istiflerken, depolama yüksekliğine, yükleme yerinin statik durumu hesaba katmalıdır.

Uygun bakım için belirlenen kriterlere uyulursa, fren bloklarının düzgün bir şekilde çalışması ve periyodik kontrollerin yapılması şartıyla uzun hizmet ömrüne sahip olabilir.

5- ÖLÇÜLER



Bütün ölçüler mm'dir.



ALY05

**INSTANTANEOUS SAFETY GEAR
MOUNTING, OPERATING
AND MAINTENANCE MANUAL**

INDEX

1. GENERAL INSTRUCTIONS	18
2. SAFETY GEAR LABEL AND CHARACTERISATION	18
2.1 LABEL	18-19
2.2 SAFETY GEAR'S FEATURES AND USE	19
3. INSTALLATION AND ADJUSTMENT	20
3.1 ASSEMBLY ON THE FRAME	20-21
3.2 SAFETY GEAR ADJUSTMENT	21-22
3.3 COUPLING THE DRIVING BAR	22
3.3.1 DRIVING BAR	23
4. INSPECTION AND MAINTENANCE	24
4.1 STORAGE AND SERVICE LIFE	24
5. DIMENSIONS	25
6. CE CERTIFICATE AND EU DECLARATION	26-29

1- GENERAL INSTRUCTIONS

ALY05 safety gear meets the requirements of the lift directive 2014/33/EU 81:20 – 81:50.

Instantaneous safety gear are not regulated. The maximum P+Q depends on the lift tripping speed.

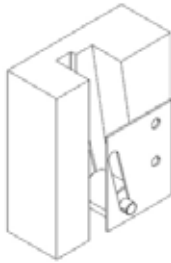
Their features are indelibly shown next to the approval password and serial number on the identification stickers attached to the safety gear



It is strictly forbidden:

- To combine and assemble safety gear boxes with different serial numbers.
- To use a pair of safety gears for installations with characteristics different from those indicated on that pair of safety gears' protection plates.
- To handle any of the safety gear's components.
- Aksöz Makine San ve Tic Ltd Şti cannot be held responsible for the damage caused due to the non-observance of any of these general instructions.

2- SAFETY GEAR LABEL AND CHARACTERISATION

2.1 LABEL



 AKSÖZ MAKİNA LTD ŞTİ. 1187. SOK NO:8 OSTİM / ANKARA / TURKEY		 2201
INSTANTANEOUS SAFETY GEAR		CERTIFICATE NO 940/TE/11.07.2018
RATED SPEED (m/s)		TYPE
MAX P+Q (KG)		GUIDE RAILTYPE
GUIDE RAIL		SERIAL NO

940/TE/11.07.2018-Rev 0

SAFETY GEAR IDENTIFICATION LABEL			
1	Quality assurance CE marking and notified body number	6	Guide rail thickness (mm)
2	Aksöz Makine Ltd Şti address	7	EU type examination certificate number
3	Safety gear type	8	Safety gear type
4	Rated speed / m/s	9	Guide rail type
5	Total max load (P+Q) / kg	10	Serial number

2.2 SAFETY GEAR'S FEATURES AND USE

a) Guide rail models to use with this safety

Type	T89	T90	T114	T125	T127
Surface	Cold Drawn / machined	Cold Drawn / machined	Cold Drawn / machined	Cold Drawn / machined	Cold Drawn / machined
Guide rail dimensions	89x62x16	90x75x16	114x89x16	125x82x16	127x89x16

Allowable tolerances for guide rail thickness should be within the limits set by the standard: ISO 7495:197

b) The maximum tripping speed for this safety gear is strictly stipulated in the regulation requirements.

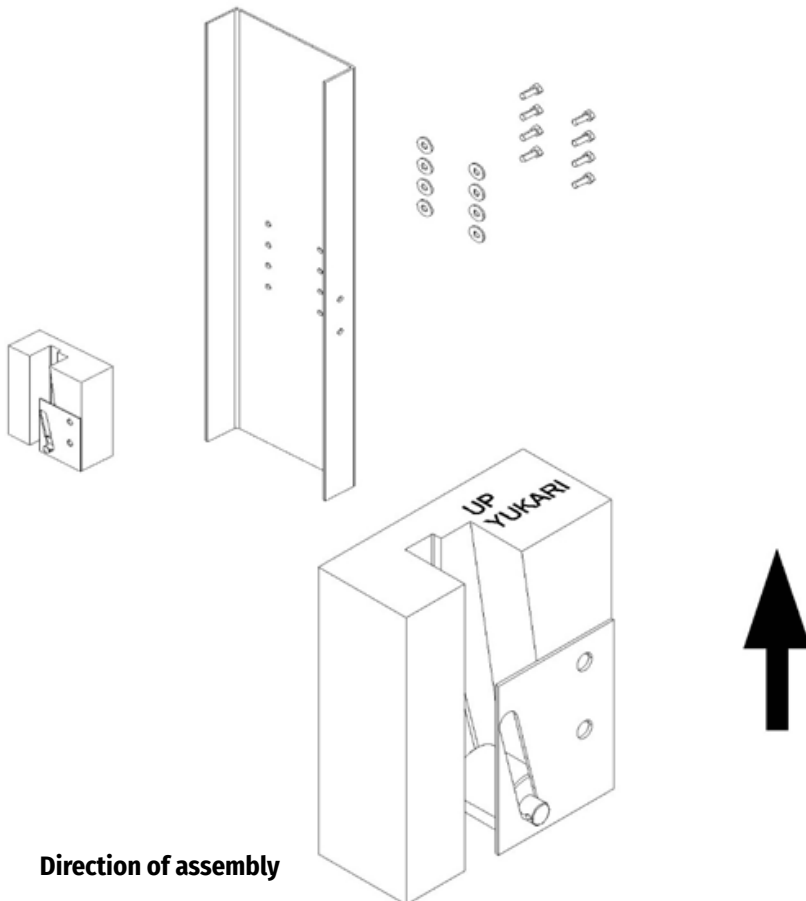
Type	Maximum rated speed (m/s)	Maximum tripping speed (m/s)
Car	0,63	1
Counter Weight	1	1,5

3- INSTALLATION AND ADJUSTMENT

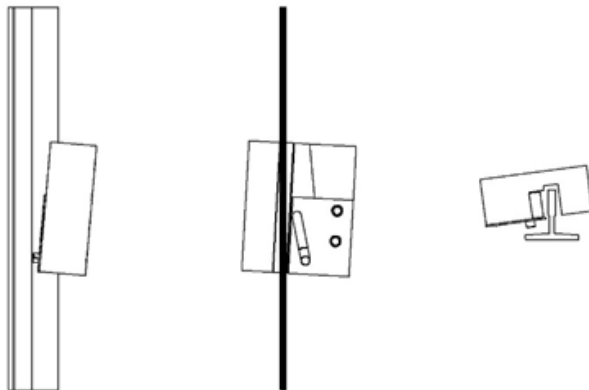
3.1 ASSEMBLY ON THE FRAME

The holes should be made on the frame's uprights to secure the safety gear, according to the dimensions and position displayed in the safety gear drawings attached, ensuring that the guide rail's axis is centred with the frame.

To secure the safety gear onto the frame, we recommend a 79.09 Nm tightening torque for grade 8.8 M12 bolts.



During assembly, the safety gear should be perfectly aligned with the guide rails, both vertically and horizontally. Improper assembly may cause the safety gear to function incorrectly.



Improper assembly

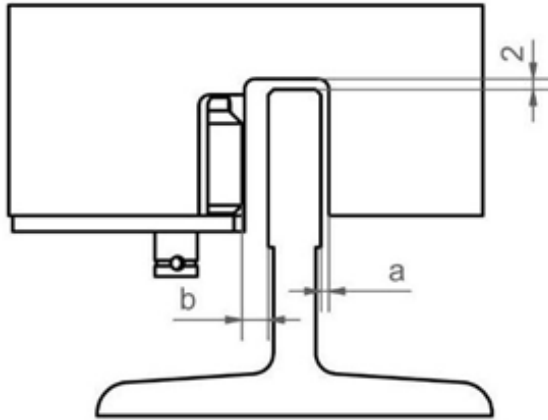
3.2 SAFETY GEAR ADJUSTMENT



In order to avoid problems with the installation's normal operation, it is very important that the person carrying out the installation rigorously observes the distances mentioned in this item.

3.2 SAFETY GEAR ADJUSTMENT

The guide rail's position in the block should be adjusted as follows



Type	T89	T90	T114	T125	T127
a	1	1	1	1	1
b	4	4	4	4	4

3.3 COUPLING THE DRIVING BAR

It is the responsibility of the person who installs the safety gear to properly position the driving bar in relation to the safety gear, as well as to properly synchronise the safety gears controlled by that driving bar. The correct position is when the safety gear roller is on the bottom of the block.

Once it has been fitted, and the safety gear's rollers have been attached to the driving bar's tripping bars, it should be checked that both rollers operate simultaneously, controlled by the driving bar. The minimum force required for tripping the safety gear is 300N.

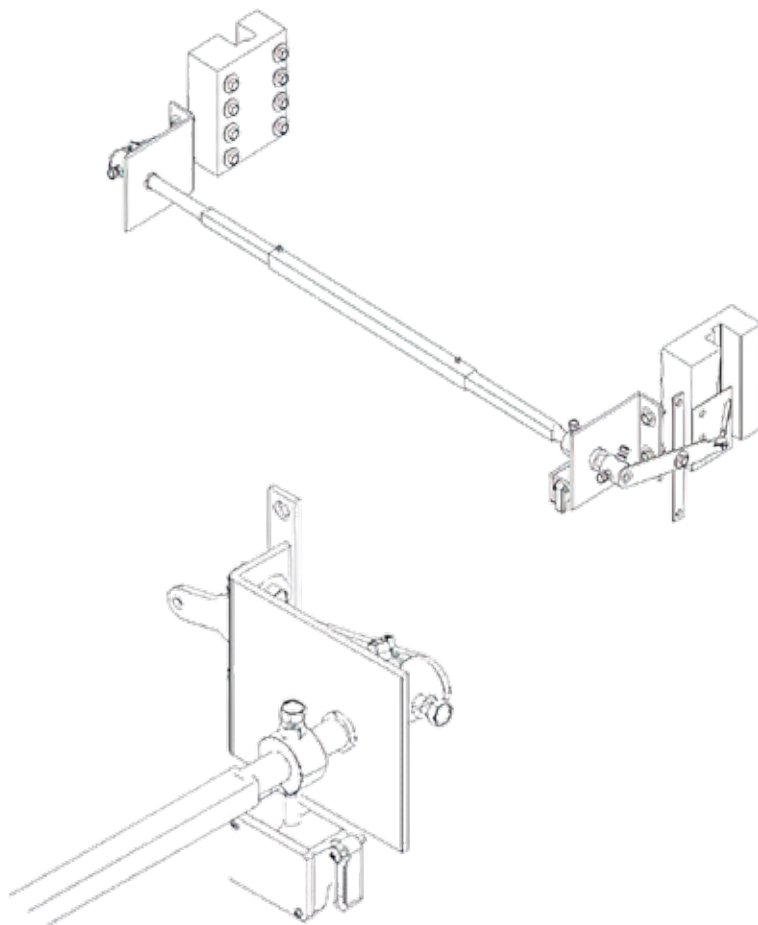


The Standard demands that the installation incorporate an AC-15 or DC-13 safety contact as defined in EN 60947-5-1

3.3.1 DRIVING BAR



It is not recommended to exceed a maximum force of 1900 N
is not recommended with the governor.



Safety gear synchronisation bar

4- INSPECTIONS AND MAINTENANCE

4.1 STORAGE AND SERVICE LIFE

The safety gear should be stored in a cool, dry place. It should be protected from excessive lighting. It should never be exposed to severe weather conditions.

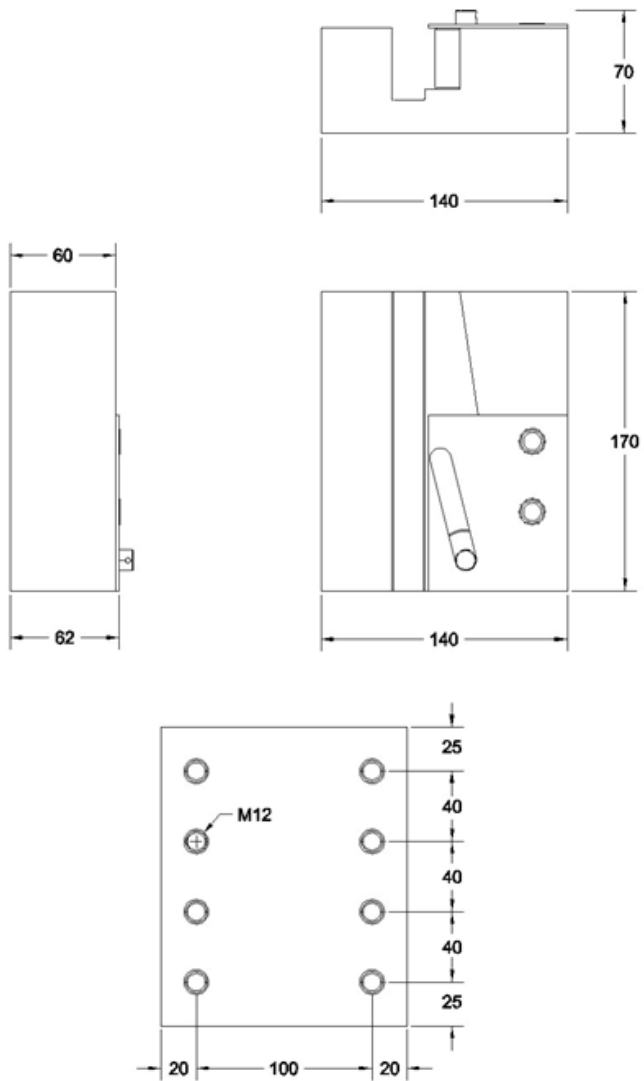
Storage temperature: 5 - 40°C Storage humidity: 15 - 85% without condensation.

The safety gears' packaging should be clean and dry, so that they can be clearly identified.

It is not permitted to place constant or unbalanced loads on a package, which may cause the package to be bent, or to allow products to be stacked one on top of the other. When stacking products or packages, the storage height should take into account their load and stability.

If the criteria established for proper maintenance are observed, the safety gears may have the same service life as the rest of the installation's fixed elements provided that their proper functioning is ensured and controlled. The element's service life is not affected by grease, dust or dirt due to the shaft's condition or to environmental conditions differing from those stated in this manual.

5- DIMENSIONS



All dimensions are mm



LIFT Certificate TU-Sofia

Technical University of Sofia - Technologies Ltd
Issuing TU-SOFIA CERT certificate according to ISO9001:2008



CERTIFICATE FOR "EU-TYPE EXAMINATION OF SAFETY COMPONENTS FOR LIFTS" №940/TE/11.07.2018



"LIFT CERTIFICAT TU - SOFIA" - conformity assessment notified body with Permission № 108-OC/07.06.2016, issued by STATE AGENCY FOR METROLOGICAL AND TECHNICAL SURVEILLANCE (SAMTS) with European Identification № 2201

Verified on the basis of examinations and tests that the product described below is in accordance with the essential safety requirements of the Directive 2014/33/EU, introduced by the "Ordinance for the essential requirements and conformity assessment of lifts and the safety devices for lifts".

Applicant: Aksoz Makina San Ve Tic Ltd Sti
(name, address) Address: 1187. Sok No:8 Östım, Ankara, Turkey

Manufacturer of the safety component: Aksoz Makina San Ve Tic Ltd Sti
(name, address)

Name and type of the safety component: Instantaneous Safety Gear
Type: ALY05

Additional data for identification of the safety component: The additional data and technical characteristics are according to "Annex 1" of this certificate

Application form of Conformity assessment: № 940/09.05.2017

Testing laboratory: STL at "LIFT Certificat TU-Sofia"

Test report: № 940/04.07.2018

Summary report of Conformity assessment: № 940/06.07.2018

Applied Directives and Standards: Directive 2014/33/EU – Annex IVA (Module B), EN81-50:2014 - p.5.3

This certificate contains Annex 1 - "Technical Characteristic", which is an integral part of it. The certificate expires on the occurrence of changes in the conditions under which it was issue or after expiring the validity period. Please, check "valid until" date below.

Date of issue: 11 July 2018

Valid until: 11 July 2023



Head of NB "LIFT Certificate TU-Sofia":

Aksoz, Prof. PhD Eng. Georgi Iliev /

Address: 8 Kliment Ohridski Blvd., TU-Sofia, lab.4100, 1756 Sofia, Bulgaria,
Tel/Fax: +359 2965 2984, e-mail:giliev@tuo-sofia.bg, www.liftcertificate.eu

FOC 1.9 / Page 1 of 3

TECHNICAL CHARACTERISTICS

of safety component: **Safety gear, Type: ALY05**

1. Application of the safety gear

The following instantaneous safety gear conforms to the safety requirements of the applied Directive and Standards. It must be use according to the scope of application, described in p.2 of this Annex 1.

2. Parameters of the safety gear

Safety Gear Type	Guide rail blade thickness (mm)	Rates speed (m/s)	Min. permissible masses (kg)	Max. permissible masses (kg)
ALY 05	16 mm	0.63	1600	13658
		0.50	1600	14374
		0.40	1600	14851
		0.30	1600	15245
		0.20	1600	15539

Maximum tripping speed of the overspeed governor (m/s): 1.00

Type of guide rail: T89x62x16, T90x75x16, T114x89x16, T125x82x16,
T127x89x16

Minimum width of the gripping area (mm): 34

Acting direction: Downward

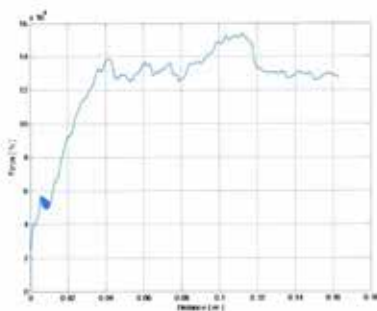
Note: If the safety gear is installed of the counterweight or balancing weight, it can be used in lifts which rated speed do not exceed 1 m/s.

3. Picture and drawing of the safety gear






4. Samples of the graphical test results of the safety gear



Head of NB "LIFT Certificate TU-Sofia":


/ Assoc. Prof. PhD Eng. Georgi Iliev /



AKSÖZ MAKİNA SANAYİ VE TİCARET LTD.

Tel : +90 (0) 312 354 11 53 Fax : +90 (0) 312 385 39 61
www.aksozlift.com

AB UYGUNLUK BEYANI EU DECLARATION OF CONFORMITY



İMALATÇI / MANUFACTURER	AKSÖZ MAKİNA SAN. TİC. LTD. ŞTİ.
İMALATÇI ADRESİ / MANUFACTURER ADDRESS	Alcı OSB Mh. ASO 2-3 OSB 2032 Cad. No:13 Temelli Sincan/Ankara-Türkiye
ÜRÜN ADI / PRODUCT NAME	ASANSÖR KAYDIRMASIZ FREN BLOGU / INSTANTANEOUS SAFETY GEAR FOR LIFTS
ÜRETİM YILI / YEAR OF MANUFACTURE	Etiket Üzerinde / See data plate on product
TİP / TYPE	 ALY05 Min - Max. Nominal Speed: 0.20 m/s – 0.63 m/s Max. Tripping Speed: 1.00 m/s Tek Yönlü - Aşağı / Downward directional 16 mm Guide Rail Min/Max Load 13.658 / 15.539 kg
SERİ NO / SERIAL NUMBER	Etiket Üzerinde / See data plate on product
UYGULANAN STANDARTLAR / THE FOLLOWING STANDARTS	EN 81- 20 : 2020 EN 81 -50 : 2020
UYGULANAN DİREKTİFLER / THE FOLLOWING DIRECTIVES	LIFTS DIRECTIVE 2014 / 33 / EU
<p>ÜRÜN ÜZERİNDE SERİ NUMARASI VE KAPASİTE BİLGİLERİ YER ALAN ÜRÜNÜN KULLANICIYA TESLİM EDİLEN KULLANIM VE BAKIM KILAVUZLARINDAKİ ŞARTLARA UYMASI DURUMUNDA YUKARIDA BELİRTİLEN STANDARTLARA VE DİREKTİFE UYGUNLUĞUNU BEYAN EDERİZ. <i>We here by confirm that the product (requirements of the directive and standards mentioned above under the conditions given at instructions for use.)</i></p>	
ONAY KURULUŞ / NOTIFIED BODY	2201 - LIFT CERTIFICATE TU-SOFIA
ADRES / ADDRESS	8 KLIMENT OHRIDSKI BLVD TU-SOFIA LAB4100, 1756 SOFIA / BULGARIA
BELGE NO / CERTIFICATE NR	940/TE/11.07.2018
FİRMA SORUMLUSU / RESPONCE OF COMPANY	SERDAR AKSÖZ
YER – TARİH / PLACE – DATE	2022 ANKARA / TURKEY
YETKİLİ İMZA / LEGALLY BINDING SIGNATURE	

Revizyon Tarihçesi

Rev 0 : Yeni kullanma kitapçığı

Revision History

Rev 0 : New user guide



AKSÖZ

Headquarter | Merkez

1187. Sokak
No:8 Ostim/Ankara
T: 0312 534 17 31
F: 0312 354 64 80
aspar@aspar.com

Branch | Şube

Şerifali Mahallesi
Barbaros Cd. No:18
Yukarı Dudullu
Ümraniye/İstanbul
T: 0216 313 06 53
F: 0216 314 38 40
istanbul@aspar.com

Factory | Fabrika

Alcı OSB Mh.
ASO 2-3 OSB
2032 Cad. No:13
Temelli/Ankara
T: 0312 557 08 07

www.aksozmakina.com