

SAPTIRMA KASNAKLARI

DIVERTING SHEAVES

SL SERİSİ
SL SERIES

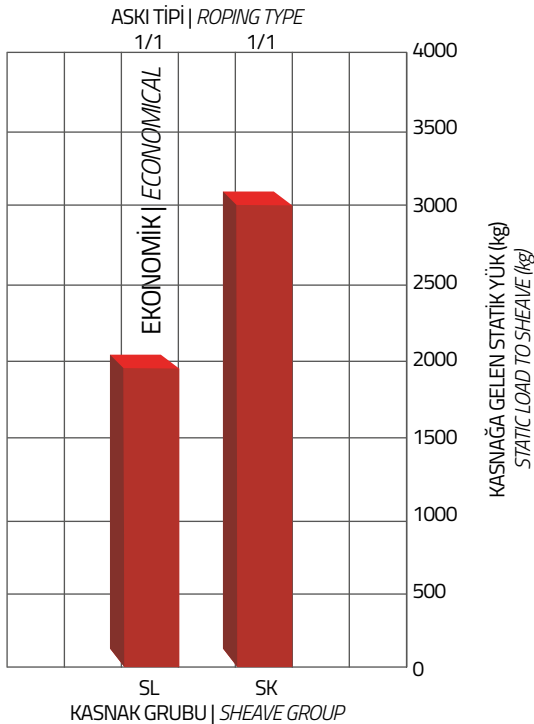
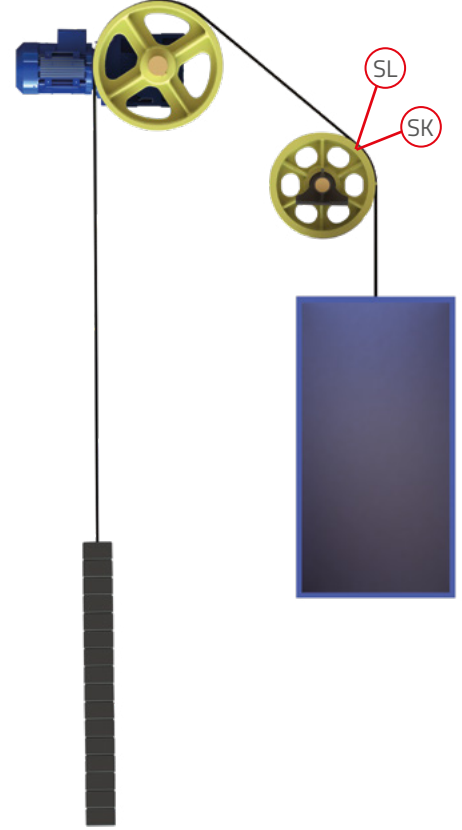


EKONOMİK SERİ | ECONOMICAL SERIES
Ø240mm - Ø450mm Arası | Between

SK SERİSİ
SK SERIES

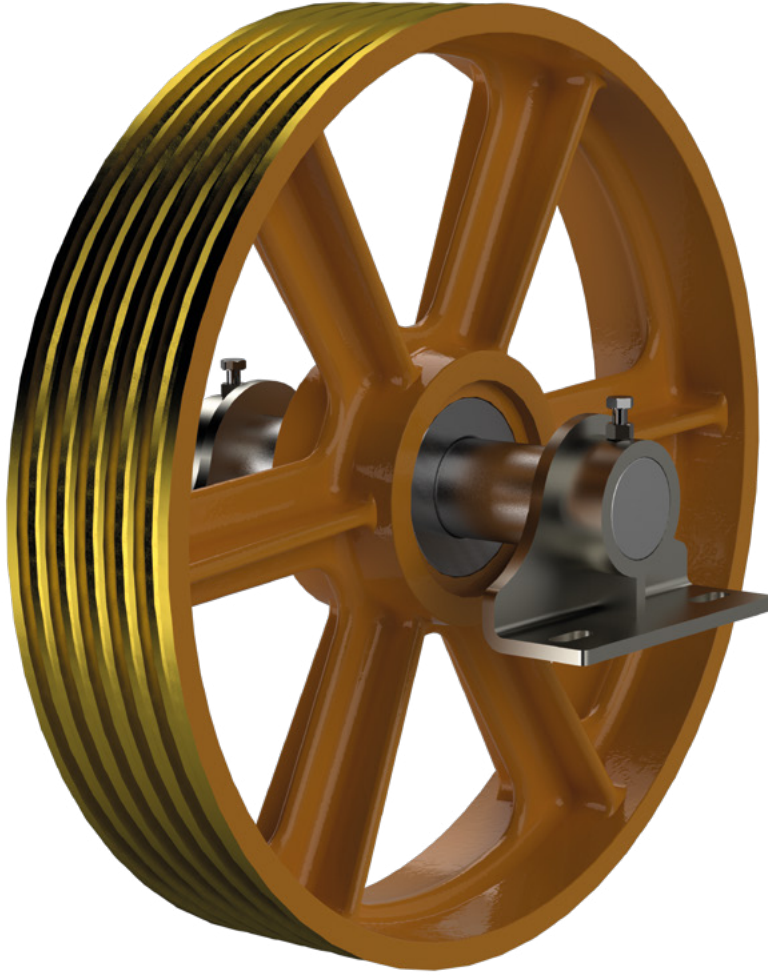


Ø240mm - Ø680mm Arası | Between



- 2 tip döküm gövdeli kasnak tercih edilebilmektedir.
2 type cast iron bodies can be preferred.
- Malzemesi, pik döküm GG25 – GG30 dir.
The material of cast iron pulleys is cast iron GG25 - GG30.
- Kasnağa gelen yük, aşağıdaki formülden kolayca hesaplanabilir.
($F=2xF_1 \sin(A/2)$ F1-halat yükü (kg), A-sarma açısı)
The load on the pulley can be easily calculated from the following formula.
($F=2xF_1 \sin(A/2)$ F1-rope load (kg), A-winding angle)
- Mil hesaplamaları, asansörün tasarım ofisi tarafından yapılmalıdır, bu hesaplamalarda milin boyu mümkün olduğunca kısa olmasına dikkat edilmelidir.
Axle calculations should be made by the design office of the elevator, in these calculations, the length of the axle should be as short as possible.
- Hazır mil ölçülerimizi kataloğumuzda bulabilirsiniz. Sabit ve kayar tip millerimiz mevcuttur.
You can find our ready axle dimensions in our catalogue. We have fixed and sliding type axles.
- Rulmanlarımız yaklaşık 10.000 saat çalışma ömrüne göre hesap edilmiştir. Daha fazla çalışma saati istenirse, bu ayrıca belirtilmelidir.
Our bearings are calculated according to the working life of approximately 10,000 hours. If further working hours are requested, this must be specified separately.
- Montaj esnasında halatların sarım yönlerine (sağ sarım – sol sarım) eşit sayıda olması kasnakların ömrü ve halat sesinin azaltılması açısından önemlidir.
During the assembly, the ropes should be equal to the winding directions (right winding - left winding) and this is important for the life of the pulleys and the reduction of the rope noise.
- Kasnaklarımızda balans mevcuttur. 1.6 m/s ve üstü kabin hızlarında balans yapılması önemlidir.
Balance is available in our pulleys. Balancing at car speeds of 1.6 m / s and above is important.

Kataloğumuzdan sayfa 10'den itibaren bulabilirsiniz
Please check page 10 from our catalogue



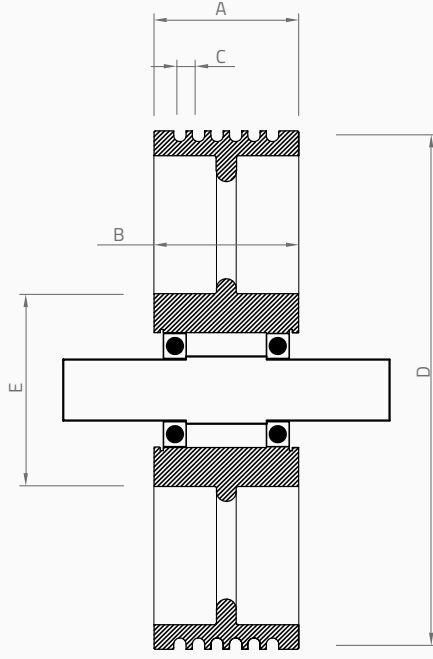
PL SERİSİ
PL SERIES

PALANGA KASNAKLARI (EKONOMİK)
HEAVY DUTY DIVERTING SHEAVES (ECONOMICAL)

PL SERİSİ
PL SERIES

1:1 - 1:2 ASKI
1:1 - 1:2 ROPING

SABİT MİL
FIXED AXLE



Ø240 mm

MİL ÇAPINI | AXLE DIAMETER

Ø55 mm

MİL BOYU | AXLE LENGTH

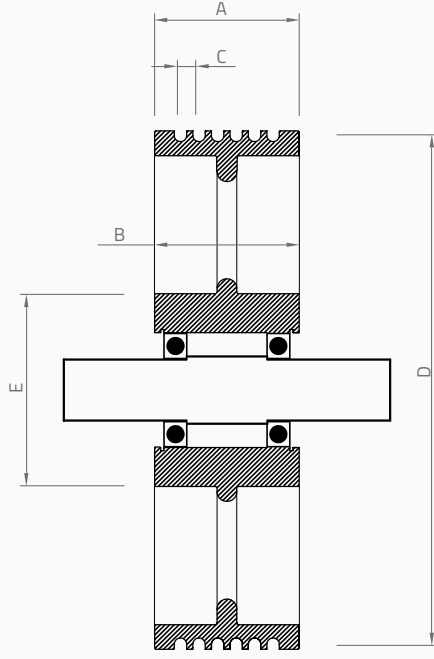
300 mm

KASNAK ÇAPINI NOMİNAL DIAMETER (Ø mm)	KANAL SAYISI NUMBER OF GROOVES	HALAT ÇAPINI ROPE DIAMETER (Ø mm)	HALAT MERKEZİ DISTANCE BETWEEN ROPES (mm)	GENİŞLİK CROWN WIDTH (mm)	GÖBEK GENİŞLİK HUB WIDTH (mm)	GÖBEK DIŞ ÇAP HUB OUTSIDE DIAMETER (Ø mm)	RULMAN BALL BEARING	STATİK YÜK STATIC LOAD (kg)	ÜRÜN KODU PRODUCT CODE	AĞIRLIK WEIGHT (INCLUDE PILLOW BLOCKS) (kg)
D			C	A	B	E				
240	4	6,5	11	110	85	148	2x6311 ZZ	1050	PL244-6,5	28
240	5	6,5	11	110	85	148	2x6311 ZZ	1050	PL245-6,5	28
240	6	6,5	11	110	85	148	2x6311 ZZ	1500	PL246-6,5	28
240	7	6,5	11	110	85	148	2x6311 ZZ	1500	PL247-6,5	28
240	8	6,5	11	110	85	148	2x6311 ZZ	1900	PL248-6,5	28
240	9	6,5	11	124	85	148	2x6311 ZZ	2100	PL249-6,5	30
240	10	6,5	11	155	100	148	2x6311 ZZ	2300	PL2410-6,5	33
240	11	6,5	11	155	100	148	2x6311 ZZ	2500	PL2411-6,5	33
240	12	6,5	11	155	100	148	2x6311 ZZ	2500	PL2412-6,5	33
240	13	6,5	11	200	140	148	4x6311 ZZ	3500	PL2413-6,5	43
240	14	6,5	11	200	140	148	4x6311 ZZ	3500	PL2414-6,5	43
240	15	6,5	11	200	140	148	4x6311 ZZ	3500	PL2415-6,5	43
240	16	6,5	11	200	140	148	4x6311 ZZ	3500	PL2416-6,5	43
240	4	8	13	110	85	148	2x6311 ZZ	1500	PL244-8	28
240	5	8	13	110	85	148	2x6311 ZZ	1850	PL245-8	28
240	6	8	13	110	85	148	2x6311 ZZ	2200	PL246-8	28
240	7	8	13	110	85	148	2x6311 ZZ	2600	PL247-8	28
240	8	8	13	124	85	148	2x6311 ZZ	2600	PL248-8	30
240	9	8	13	155	100	148	2x6311 ZZ	2600	PL249-8	33
240	10	8	13	155	100	148	2x6311 ZZ	2600	PL2410-8	33
240	11	8	13	200	140	148	4x6311 ZZ	3500	PL2411-8	43
240	12	8	13	200	140	148	4x6311 ZZ	3500	PL2412-8	43
240	13	8	13	200	140	148	4x6311 ZZ	3500	PL2413-8	43
240	14	8	13	200	140	148	4x6311 ZZ	3500	PL2414-8	43

PL SERİSİ
PL SERIES

1:1 - 1:2 ASKI
1:1 - 1:2 ROPING

SABİT MİL
FIXED AXLE



Ø240 mm

MİL ÇAP | AXLE DIAMETER

Ø55 mm

MİL BOYU | AXLE LENGTH

300 mm

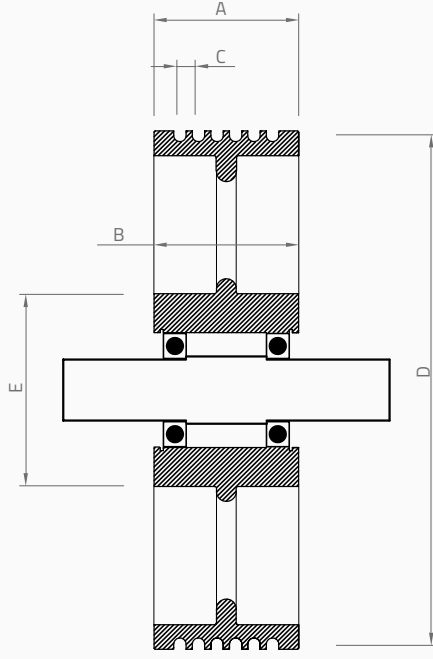
KASNAK ÇAP NOMINAL DIAMETER (Ø mm)	KANAL SAYISI NUMBER OF GROOVES	HALAT ÇAP ROPE DIAMETER (Ø mm)	HALAT MERKEZİ DISTANCE BETWEEN ROPES (mm)	GENİŞLİK CROWN WIDTH (mm)	GÖBEK GENİŞLİK HUB WIDTH (mm)	GÖBEK DIŞ ÇAP HUB OUTSIDE DIAMETER (Ø mm)	RULMAN BALL BEARING	STATİK YÜK STATIC LOAD (kg)	ÜRÜN KODU PRODUCT CODE	AĞIRLIK WEIGHT (INCLUDE PILLOW BLOCKS) (kg)
D			C	A	B	E				
240	4	10	17	110	85	148	2x6311 ZZ	2300	PL244-10	28
240	5	10	17	110	85	148	2x6311 ZZ	2600	PL245-10	28
240	6	10	17	124	85	148	2x6311 ZZ	2600	PL246-10	30
240	7	10	17	155	100	148	2x6311 ZZ	2600	PL247-10	33
240	8	10	17	155	100	148	2x6311 ZZ	2600	PL248-10	33
240	9	10	17	200	140	148	4x6311 ZZ	3500	PL249-10	43
240	10	10	17	200	140	148	4x6311 ZZ	3500	PL2410-10	43

PL SERİSİ
PL SERIES

PL SERİSİ
PL SERIES

1:1 - 1:2 ASKI
1:1 - 1:2 ROPING

SABİT MİL
FIXED AXLE



Ø320 mm

MİL ÇAP | AXLE DIAMETER

Ø55 mm

MİL BOYU | AXLE LENGTH

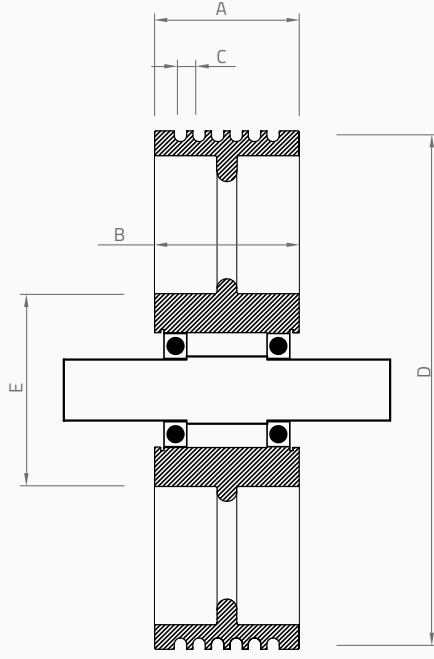
300 mm

KASNAK ÇAP NOMINAL DIAMETER (Ø mm)	KANAL SAYISI NUMBER OF GROOVES	HALAT ÇAP ROPE DIAMETER (Ø mm)	HALAT MERKEZİ DISTANCE BETWEEN ROPES (mm)	GENİŞLİK CROWN WIDTH (mm)	GÖBEK GENİŞLİK HUB WIDTH (mm)	GÖBEK DIŞ ÇAP HUB OUTSIDE DIAMETER (Ø mm)	RULMAN BALL BEARING	STATİK YÜK STATIC LOAD (kg)	ÜRÜN KODU PRODUCT CODE	AĞIRLIK WEIGHT (INCLUDE PILLOW BLOCKS) (kg)
D			C	A	B	E				
320	4	6,5	11	110	85	148	2x6311 ZZ	1050	PL324-6,5	33
320	5	6,5	11	110	85	148	2x6311 ZZ	1050	PL325-6,5	33
320	6	6,5	11	110	85	148	2x6311 ZZ	1500	PL326-6,5	33
320	7	6,5	11	110	85	148	2x6311 ZZ	1500	PL327-6,5	33
320	8	6,5	11	110	85	148	2x6311 ZZ	1900	PL328-6,5	33
320	9	6,5	11	124	85	148	2x6311 ZZ	2100	PL329-6,5	38
320	10	6,5	11	155	100	148	2x6311 ZZ	2300	PL3210-6,5	42
320	11	6,5	11	155	100	148	2x6311 ZZ	2500	PL3211-6,5	51
320	12	6,5	11	155	100	148	2x6311 ZZ	2500	PL3212-6,5	51
320	13	6,5	11	200	140	148	4x6311 ZZ	3500	PL3213-6,5	51
320	14	6,5	11	200	140	148	4x6311 ZZ	3500	PL3214-6,5	51
320	15	6,5	11	200	140	148	4x6311 ZZ	3500	PL3215-6,5	51
320	16	6,5	11	200	140	148	4x6311 ZZ	3500	PL3216-6,5	51
320	4	8	13	110	85	148	2x6311 ZZ	1500	PL324-8	33
320	5	8	13	110	85	148	2x6311 ZZ	1850	PL325-8	33
320	6	8	13	110	85	148	2x6311 ZZ	2200	PL326-8	33
320	7	8	13	110	85	148	2x6311 ZZ	2600	PL327-8	33
320	8	8	13	124	85	148	2x6311 ZZ	2600	PL328-8	38
320	9	8	13	155	100	148	2x6311 ZZ	2600	PL329-8	42
320	10	8	13	155	100	148	2x6311 ZZ	2600	PL3210-8	42
320	11	8	13	200	140	148	4x6311 ZZ	3500	PL3211-8	51
320	12	8	13	200	140	148	4x6311 ZZ	3500	PL3212-8	51
320	13	8	13	200	140	148	4x6311 ZZ	3500	PL3213-8	51
320	14	8	13	200	140	148	4x6311 ZZ	3500	PL3214-8	51

PL SERİSİ
PL SERIES

1:1 - 1:2 ASKI
1:1 - 1:2 ROPING

SABİT MİL
FIXED AXLE



Ø320 mm

MİL ÇAP | AXLE DIAMETER

Ø55 mm

MİL BOYU | AXLE LENGTH

300 mm

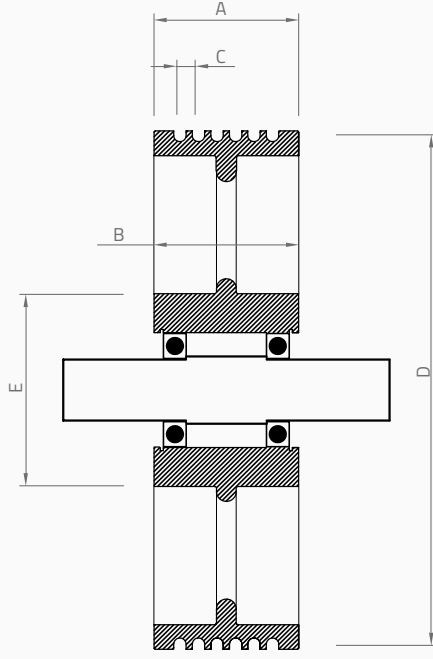
KASNAK ÇAP NOMINAL DIAMETER (Ø mm)	KANAL SAYISI NUMBER OF GROOVES	HALAT ÇAP ROPE DIAMETER (Ø mm)	HALAT MERKEZİ DISTANCE BETWEEN ROPES (mm)	GENİŞLİK CROWN WIDTH (mm)	GÖBEK GENİŞLİK HUB WIDTH (mm)	GÖBEK DIŞ ÇAP HUB OUTSIDE DIAMETER (Ø mm)	RULMAN BALL BEARING	STATİK YÜK STATIC LOAD (kg)	ÜRÜN KODU PRODUCT CODE	AĞIRLIK WEIGHT (INCLUDE PILLOW BLOCKS) (kg)
D			C	A	B	E				
320	4	10	17	110	85	148	2x6311 ZZ	2300	PL324-10	33
320	5	10	17	110	85	148	2x6311 ZZ	2600	PL325-10	33
320	6	10	17	124	85	148	2x6311 ZZ	2600	PL326-10	38
320	7	10	17	155	100	148	2x6311 ZZ	2600	PL327-10	42
320	8	10	17	155	100	148	2x6311 ZZ	2600	PL328-10	42
320	9	10	17	200	140	148	4x6311 ZZ	3500	PL329-10	51
320	10	10	17	200	140	148	4x6311 ZZ	3500	PL3210-10	51

PL SERİSİ
PL SERIES

PL SERİSİ
PL SERIES

1:1 - 1:2 ASKI
1:1 - 1:2 ROPING

SABİT MİL
FIXED AXLE



Ø360 mm

MİL ÇAP | AXLE DIAMETER

Ø55 mm

MİL BOYU | AXLE LENGTH

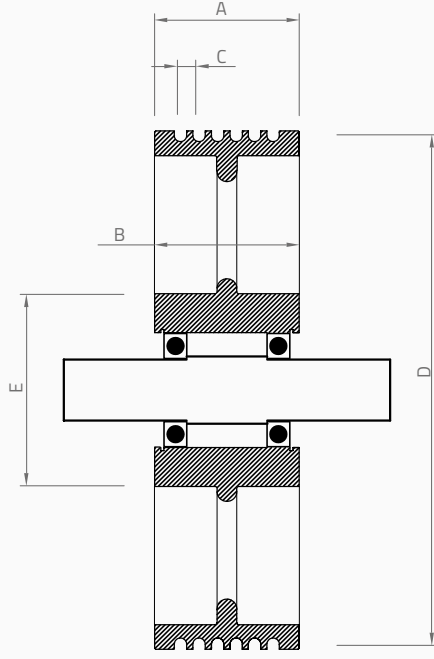
300 mm

KASNAK ÇAP NOMINAL DIAMETER (Ø mm)	KANAL SAYISI NUMBER OF GROOVES	HALAT ÇAP ROPE DIAMETER (Ø mm)	HALAT MERKEZİ DISTANCE BETWEEN ROPES (mm)	GENİŞLİK CROWN WIDTH (mm)	GÖBEK GENİŞLİK HUB WIDTH (mm)	GÖBEK DIŞ ÇAP HUB OUTSIDE DIAMETER (Ø mm)	RULMAN BALL BEARING	STATİK YÜK STATIC LOAD (kg)	ÜRÜN KODU PRODUCT CODE	AĞIRLIK WEIGHT (INCLUDE PILLOW BLOCKS) (kg)
D			C	A	B	E				
360	4	6,5	11	110	85	148	2x6311 ZZ	1050	PL364-6,5	36
360	5	6,5	11	110	85	148	2x6311 ZZ	1050	PL365-6,5	36
360	6	6,5	11	110	85	148	2x6311 ZZ	1500	PL366-6,5	36
360	7	6,5	11	110	85	148	2x6311 ZZ	1500	PL367-6,5	36
360	8	6,5	11	110	85	148	2x6311 ZZ	1900	PL368-6,5	36
360	9	6,5	11	155	85	148	2x6311 ZZ	2100	PL369-6,5	36
360	10	6,5	11	155	100	148	2x6311 ZZ	2300	PL3610-6,5	46
360	11	6,5	11	155	100	148	2x6311 ZZ	2500	PL3611-6,5	57
360	12	6,5	11	155	100	148	2x6311 ZZ	2500	PL3612-6,5	57
360	13	6,5	11	200	140	148	4x6311 ZZ	3500	PL3613-6,5	57
360	14	6,5	11	200	140	148	4x6311 ZZ	3500	PL3614-6,5	57
360	15	6,5	11	200	140	148	4x6311 ZZ	3500	PL3615-6,5	57
360	16	6,5	11	200	140	148	4x6311 ZZ	3500	PL3616-6,5	57
360	4	8	13	110	85	148	2x6311 ZZ	1500	PL364-8	36
360	5	8	13	110	85	148	2x6311 ZZ	1850	PL365-8	36
360	6	8	13	110	85	148	2x6311 ZZ	2200	PL366-8	36
360	7	8	13	110	85	148	2x6311 ZZ	2600	PL367-8	36
360	8	8	13	155	85	148	2x6311 ZZ	2600	PL368-8	36
360	9	8	13	155	100	148	2x6311 ZZ	2600	PL369-8	46
360	10	8	13	155	100	148	2x6311 ZZ	2600	PL3610-8	46
360	11	8	13	200	140	148	4x6311 ZZ	3500	PL3611-8	57
360	12	8	13	200	140	148	4x6311 ZZ	3500	PL3612-8	57
360	13	8	13	200	140	148	4x6311 ZZ	3500	PL3613-8	57
360	14	8	13	200	140	148	4x6311 ZZ	3500	PL3614-8	57

PL SERİSİ
PL SERIES

1:1 - 1:2 ASKI
1:1 - 1:2 ROPING

SABİT MİL
FIXED AXLE



Ø360 mm

MİL ÇAP | AXLE DIAMETER

Ø55 mm

MİL BOYU | AXLE LENGTH

300 mm

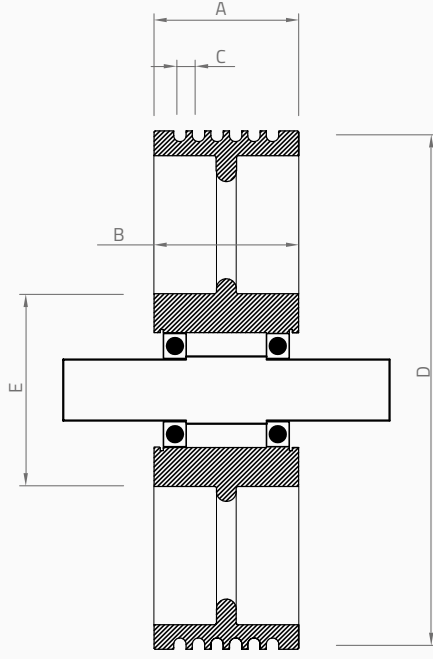
KASNAK ÇAP NOMINAL DIAMETER (Ø mm)	KANAL SAYISI NUMBER OF GROOVES	HALAT ÇAP ROPE DIAMETER (Ø mm)	HALAT MERKEZİ DISTANCE BETWEEN ROPES (mm)	GENİŞLİK CROWN WIDTH (mm)	GÖBEK GENİŞLİK HUB WIDTH (mm)	GÖBEK DIŞ ÇAP HUB OUTSIDE DIAMETER (Ø mm)	RULMAN BALL BEARING	STATİK YÜK STATIC LOAD (kg)	ÜRÜN KODU PRODUCT CODE	AĞIRLIK WEIGHT (INCLUDE PILLOW BLOCKS) (kg)
D			C	A	B	E				
360	4	10	17	110	85	148	2x6311 ZZ	2300	PL364-10	36
360	5	10	17	110	85	148	2x6311 ZZ	2600	PL365-10	36
360	6	10	17	124	85	148	2x6311 ZZ	2600	PL366-10	46
360	7	10	17	155	100	148	2x6311 ZZ	2600	PL367-10	46
360	8	10	17	155	100	148	2x6311 ZZ	2600	PL368-10	46
360	9	10	17	200	140	148	4x6311 ZZ	3500	PL369-10	57
360	10	10	17	200	140	148	4x6311 ZZ	3500	PL3610-10	57

PL SERİSİ
PL SERIES

PL SERİSİ
PL SERIES

1:1 - 1:2 ASKI
1:1 - 1:2 ROPING

SABİT MİL
FIXED AXLE



Ø400 mm

MİL ÇAP | AXLE DIAMETER

Ø55 mm

MİL BOYU | AXLE LENGTH

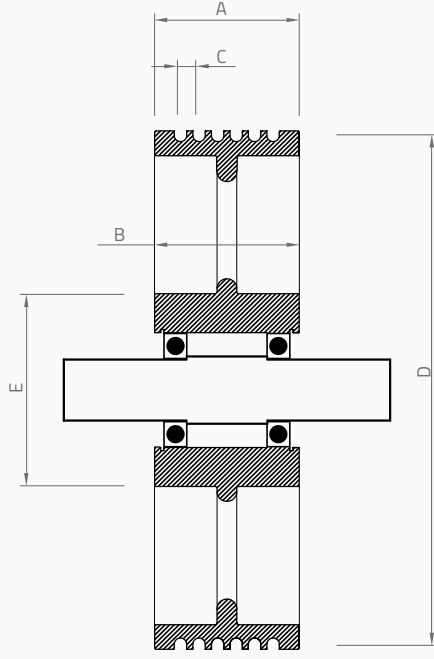
300 mm

KASNAK ÇAP NOMINAL DIAMETER (Ø mm)	KANAL SAYISI NUMBER OF GROOVES	HALAT ÇAP ROPE DIAMETER (Ø mm)	HALAT MERKEZİ DISTANCE BETWEEN ROPES (mm)	GENİŞLİK CROWN WIDTH (mm)	GÖBEK GENİŞLİK HUB WIDTH (mm)	GÖBEK DIŞ ÇAP HUB OUTSIDE DIAMETER (Ø mm)	RULMAN BALL BEARING	STATİK YÜK STATIC LOAD (kg)	ÜRÜN KODU PRODUCT CODE	AĞIRLIK WEIGHT (INCLUDE PILLOW BLOCKS) (kg)
D			C	A	B	E				
400	4	6,5	11	110	85	148	2x6311 ZZ	1050	PL404-6,5	45
400	5	6,5	11	110	85	148	2x6311 ZZ	1050	PL405-6,5	45
400	6	6,5	11	110	85	148	2x6311 ZZ	1500	PL406-6,5	45
400	7	6,5	11	110	85	148	2x6311 ZZ	1500	PL407-6,5	45
400	8	6,5	11	110	85	148	2x6311 ZZ	1900	PL408-6,5	45
400	9	6,5	11	124	85	148	2x6311 ZZ	2100	PL409-6,5	50
400	10	6,5	11	155	100	148	2x6311 ZZ	2300	PL4010-6,5	56
400	11	6,5	11	155	100	148	2x6311 ZZ	2500	PL4011-6,5	56
400	12	6,5	11	155	100	148	2x6311 ZZ	2500	PL4012-6,5	56
400	13	6,5	11	200	140	148	4x6311 ZZ	3500	PL4013-6,5	68
400	14	6,5	11	200	140	148	4x6311 ZZ	3500	PL4014-6,5	68
400	15	6,5	11	200	140	148	4x6311 ZZ	3500	PL4015-6,5	68
400	16	6,5	11	200	140	148	4x6311 ZZ	3500	PL4016-6,5	68
400	4	8	13	110	85	148	2x6311 ZZ	1500	PL404-8	45
400	5	8	13	110	85	148	2x6311 ZZ	1850	PL405-8	45
400	6	8	13	110	85	148	2x6311 ZZ	2200	PL406-8	45
400	7	8	13	110	85	148	2x6311 ZZ	2600	PL407-8	50
400	8	8	13	124	85	148	2x6311 ZZ	2600	PL408-8	56
400	9	8	13	155	100	148	2x6311 ZZ	2600	PL409-8	56
400	10	8	13	155	100	148	2x6311 ZZ	2600	PL4010-8	56
400	11	8	13	200	140	148	4x6311 ZZ	3500	PL4011-8	68
400	12	8	13	200	140	148	4x6311 ZZ	3500	PL4012-8	68
400	13	8	13	200	140	148	4x6311 ZZ	3500	PL4013-8	68
400	14	8	13	200	140	148	4x6311 ZZ	3500	PL4014-8	68

PL SERİSİ
PL SERIES

1:1 - 1:2 ASKI
1:1 - 1:2 ROPING

SABİT MİL
FIXED AXLE



Ø400 mm

MİL ÇAP | AXLE DIAMETER

Ø55 mm

MİL BOYU | AXLE LENGTH

300 mm

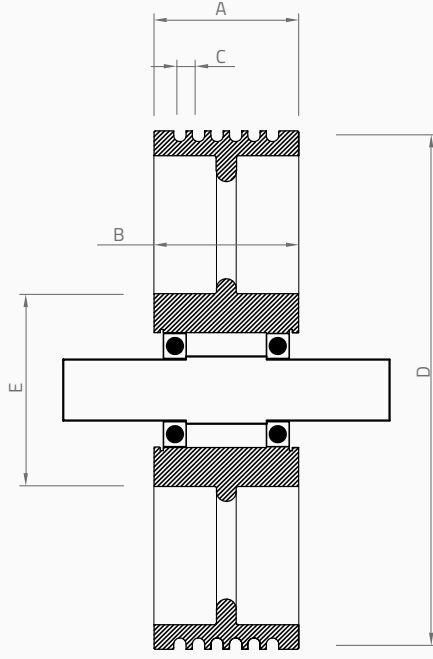
KASNAK ÇAPI NOMINAL DIAMETER (Ø mm)	KANAL SAYISI NUMBER OF GROOVES	HALAT ÇAPI ROPE DIAMETER (Ø mm)	HALAT MERKEZİ DISTANCE BETWEEN ROPES (mm)	GENİŞLİK CROWN WIDTH (mm)	GÖBEK GENİŞLİK HUB WIDTH (mm)	GÖBEK DIŞ ÇAP HUB OUTSIDE DIAMETER (Ø mm)	RULMAN BALL BEARING	STATİK YÜK STATIC LOAD (kg)	ÜRÜN KODU PRODUCT CODE	AĞIRLIK WEIGHT (INCLUDE PILLOW BLOCKS) (kg)
D			C	A	B	E				
400	4	10	17	110	85	148	2x6311 ZZ	2300	PL404-10	45
400	5	10	17	110	85	148	2x6311 ZZ	2600	PL405-10	45
400	6	10	17	124	85	148	2x6311 ZZ	2600	PL406-10	50
400	7	10	17	155	100	148	2x6311 ZZ	2600	PL407-10	56
400	8	10	17	155	100	148	2x6311 ZZ	2600	PL408-10	56
400	9	10	17	200	140	148	4x6311 ZZ	3500	PL409-10	68
400	10	10	17	200	140	148	4x6311 ZZ	3500	PL4010-10	68
400	5	12	19	110	85	148	2x6311 ZZ	3500	PL405-12	45
400	6	12	19	124	85	148	2x6311 ZZ	3500	PL406-12	50
400	7	12	19	155	100	148	2x6311 ZZ	3500	PL407-12	56
400	8	12	19	200	140	148	4x6311 ZZ	3500	PL408-12	68
400	9	12	19	200	140	148	4x6311 ZZ	3500	PL409-12	68

PL SERİSİ
PL SERIES

PL SERİSİ
PL SERIES

1:1 - 1:2 ASKI
1:1 - 1:2 ROPING

SABİT MİL
FIXED AXLE



Ø420 mm

MİL ÇAPINI | AXLE DIAMETER

Ø55 mm

MİL BOYU | AXLE LENGTH

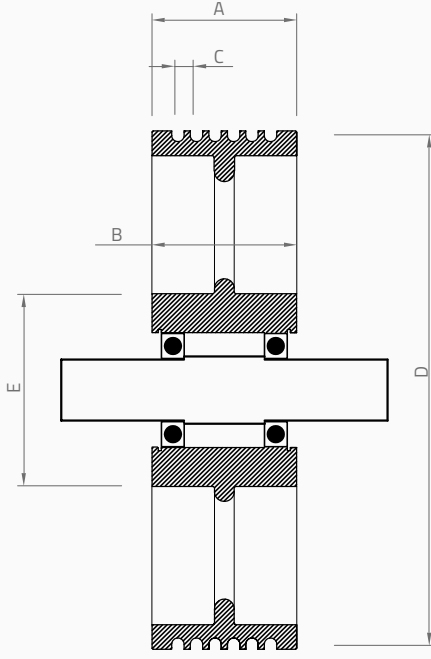
300 mm

KASNAK ÇAPINI NOMİNAL DIAMETER (Ø mm)	KANAL SAYISI NUMBER OF GROOVES	HALAT ÇAPINI ROPE DIAMETER (Ø mm)	HALAT MERKEZİ DISTANCE BETWEEN ROPES (mm)	GENİŞLİK CROWN WIDTH (mm)	GÖBEK GENİŞLİK HUB WIDTH (mm)	GÖBEK DIŞI ÇAP HUB OUTSIDE DIAMETER (Ø mm)	RULMAN BALL BEARING	STATİK YÜK STATIC LOAD (kg)	ÜRÜN KODU PRODUCT CODE	AĞIRLIK WEIGHT (INCLUDE PILLOW BLOCKS) (kg)
D			C	A	B	E				
420	4	6,5	11	110	85	148	2x6311 ZZ	1050	PL424-6,5	46
420	5	6,5	11	110	85	148	2x6311 ZZ	1050	PL425-6,5	46
420	6	6,5	11	110	85	148	2x6311 ZZ	1500	PL426-6,5	46
420	7	6,5	11	110	85	148	2x6311 ZZ	1500	PL427-6,5	46
420	8	6,5	11	110	85	148	2x6311 ZZ	1900	PL428-6,5	46
420	9	6,5	11	155	100	148	2x6311 ZZ	2100	PL429-6,5	58
420	10	6,5	11	155	100	148	2x6311 ZZ	2300	PL4210-6,5	58
420	11	6,5	11	155	100	148	2x6311 ZZ	2500	PL4211-6,5	58
420	12	6,5	11	155	100	148	2x6311 ZZ	2500	PL4212-6,5	58
420	4	8	13	110	85	148	2x6311 ZZ	1500	PL424-8	46
420	5	8	13	110	85	148	2x6311 ZZ	1850	PL425-8	46
420	6	8	13	110	85	148	2x6311 ZZ	2200	PL426-8	46
420	7	8	13	110	85	148	2x6311 ZZ	2600	PL427-8	58
420	8	8	13	155	100	148	2x6311 ZZ	2600	PL428-8	58
420	9	8	13	155	100	148	2x6311 ZZ	2600	PL429-8	58
420	10	8	13	155	100	148	2x6311 ZZ	2600	PL4210-8	58
420	4	10	17	110	85	148	2x6311 ZZ	2300	PL424-10	46
420	5	10	17	110	85	148	2x6311 ZZ	2600	PL425-10	46
420	6	10	17	155	100	148	2x6311 ZZ	2600	PL426-10	58
420	7	10	17	155	100	148	2x6311 ZZ	2600	PL427-10	58
420	8	10	17	155	100	148	2x6311 ZZ	2600	PL428-10	58
420	5	12	19	110	85	148	2x6311 ZZ	2600	PL425-12	46
420	6	12	19	124	85	148	2x6311 ZZ	2600	PL426-12	58
420	7	12	19	155	100	148	2x6311 ZZ	2600	PL427-12	58

PL SERİSİ
PL SERIES

1:1 - 1:2 ASKI
1:1 - 1:2 ROPING

SABİT MİL
FIXED AXLE



Ø450 mm

MİL ÇAP | AXLE DIAMETER

Ø55 mm

MİL BOYU | AXLE LENGTH

300 mm

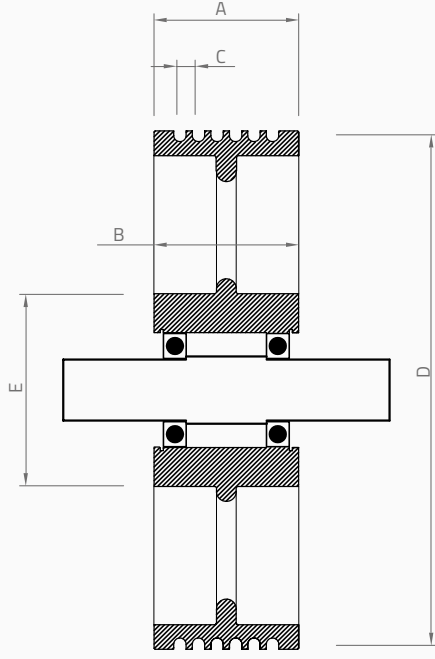
KASNAK ÇAP NÖMİNAL DIAMETER (Ø mm)	KANAL SAYISI NUMBER OF GROOVES	HALAT ÇAP ROPE DIAMETER (Ø mm)	HALAT MERKEZİ DISTANCE BETWEEN ROPES (mm)	GENİŞLİK CROWN WIDTH (mm)	GÖBEK GENİŞLİK HUB WIDTH (mm)	GÖBEK DIŞ ÇAP HUB OUTSIDE DIAMETER (Ø mm)	RULMAN BALL BEARING	STATİK YÜK STATIC LOAD (kg)	ÜRÜN KODU PRODUCT CODE	AĞIRLIK WEIGHT (INCLUDE PILLOW BLOCKS) (kg)
D			C	A	B	E				
450	4	6,5	11	110	85	148	2x6311 ZZ	1050	PL454-6,5	48
450	5	6,5	11	110	85	148	2x6311 ZZ	1050	PL455-6,5	48
450	6	6,5	11	110	85	148	2x6311 ZZ	1500	PL456-6,5	48
450	7	6,5	11	110	85	148	2x6311 ZZ	1500	PL457-6,5	48
450	8	6,5	11	110	85	148	2x6311 ZZ	1900	PL458-6,5	48
450	9	6,5	11	124	85	148	2x6311 ZZ	2100	PL459-6,5	55
450	10	6,5	11	155	100	148	2x6311 ZZ	2300	PL4510-6,5	62
450	11	6,5	11	155	100	148	2x6311 ZZ	2500	PL4511-6,5	62
450	12	6,5	11	155	100	148	2x6311 ZZ	2500	PL4512-6,5	62
450	4	8	13	110	85	148	2x6311 ZZ	1500	PL454-8	48
450	5	8	13	110	85	148	2x6311 ZZ	1850	PL455-8	48
450	6	8	13	110	85	148	2x6311 ZZ	2200	PL456-8	48
450	7	8	13	110	85	148	2x6311 ZZ	2600	PL457-8	55
450	8	8	13	124	85	148	2x6311 ZZ	2600	PL458-8	62
450	9	8	13	155	100	148	2x6311 ZZ	2600	PL459-8	62
450	10	8	13	155	100	148	2x6311 ZZ	2600	PL4510-8	62
450	4	10	17	110	85	148	2x6311 ZZ	2300	PL454-10	48
450	5	10	17	110	85	148	2x6311 ZZ	2600	PL455-10	48
450	6	10	17	124	85	148	2x6311 ZZ	2600	PL456-10	55
450	7	10	17	155	100	148	2x6311 ZZ	2600	PL457-10	62
450	8	10	17	155	100	148	2x6311 ZZ	2600	PL458-10	62
450	5	12	19	110	85	148	2x6311 ZZ	2600	PL455-12	48
450	6	12	19	124	85	148	2x6311 ZZ	2600	PL456-12	55
450	7	12	19	155	100	148	2x6311 ZZ	2600	PL457-12	62

PL SERİSİ
PL SERIES

PL SERİSİ
PL SERIES

1:1 - 1:2 ASKI
1:1 - 1:2 ROPING

SABİT MİL
FIXED AXLE



Ø480 mm

MİL ÇAPI | AXLE DIAMETER

Ø55 mm

MİL BOYU | AXLE LENGTH

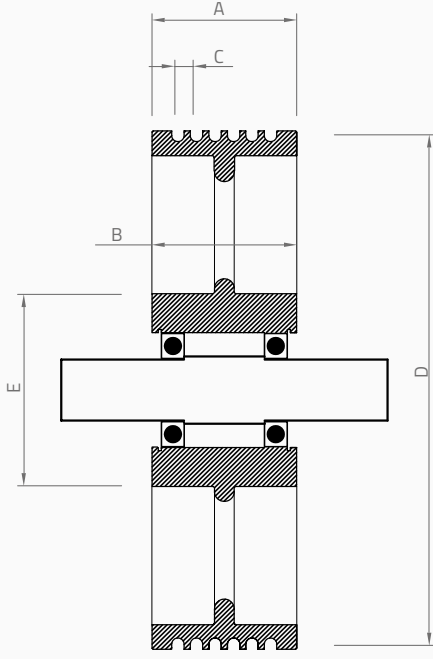
300 mm

KASNAK ÇAPI NOMINAL DIAMETER (Ø mm)	KANAL SAYISI NUMBER OF GROOVES	HALAT ÇAPI ROPE DIAMETER (Ø mm)	HALAT MERKEZİ DISTANCE BETWEEN ROPES (mm)	GENİŞLİK CROWN WIDTH (mm)	GÖBEK GENİŞLİK HUB WIDTH (mm)	GÖBEK DIŞ ÇAP HUB OUTSIDE DIAMETER (Ø mm)	RULMAN BALL BEARING	STATİK YÜK STATIC LOAD (kg)	ÜRÜN KODU PRODUCT CODE	AĞIRLIK WEIGHT (INCLUDE PILLOW BLOCKS) (kg)
D			C	A	B	E				
480	4	8	13	110	85	148	2x6311 ZZ	1050	PL484-8	52
480	5	8	13	110	85	148	2x6311 ZZ	1850	PL485-8	52
480	6	8	13	110	85	148	2x6311 ZZ	2200	PL486-8	52
480	7	8	13	110	85	148	2x6311 ZZ	2600	PL487-8	58
480	8	8	13	124	85	148	2x6311 ZZ	2600	PL488-8	63
480	9	8	13	155	100	148	2x6311 ZZ	2600	PL489-8	63
480	10	8	13	155	100	148	2x6311 ZZ	2600	PL4810-8	63
480	4	10	17	110	85	148	2x6311 ZZ	2300	PL484-10	52
480	5	10	17	110	85	148	2x6311 ZZ	2600	PL485-10	52
480	6	10	17	124	85	148	2x6311 ZZ	2600	PL486-10	58
480	7	10	17	155	100	148	2x6311 ZZ	2600	PL487-10	63
480	8	10	17	155	100	148	2x6311 ZZ	2600	PL488-10	63
480	5	12	19	110	85	148	2x6311 ZZ	2600	PL485-12	52
480	6	12	19	124	85	148	2x6311 ZZ	2600	PL486-12	58
480	7	12	19	155	100	148	2x6311 ZZ	2600	PL487-12	63

PL SERİSİ
PL SERIES

1:1 - 1:2 ASKI
1:1 - 1:2 ROPING

SABİT MİL
FIXED AXLE



Ø500 mm

MİL ÇAPINI | AXLE DIAMETER

Ø55 mm

MİL BOYU | AXLE LENGTH

300 mm

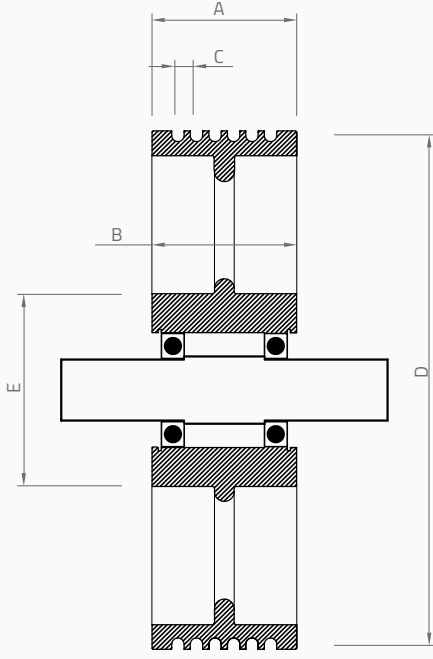
KASNAK ÇAPINI NOMINAL DIAMETER (Ø mm)	KANAL SAYISI NUMBER OF GROOVES	HALAT ÇAPINI ROPE DIAMETER (Ø mm)	HALAT MERKEZİ DISTANCE BETWEEN ROPES (mm)	GENİŞLİK CROWN WIDTH (mm)	GÖBEK GENİŞLİK HUB WIDTH (mm)	GÖBEK DIŞ ÇAP HUB OUTSIDE DIAMETER (Ø mm)	RULMAN BALL BEARING	STATİK YÜK STATIC LOAD (kg)	ÜRÜN KODU PRODUCT CODE	AĞIRLIK WEIGHT (INCLUDE PILLOW BLOCKS) (kg)
D			C	A	B	E				
500	4	8	13	110	85	148	2x6311 ZZ	1500	PL504-8	53
500	5	8	13	110	85	148	2x6311 ZZ	1850	PL505-8	53
500	6	8	13	110	85	148	2x6311 ZZ	2200	PL506-8	53
500	7	8	13	110	85	148	2x6311 ZZ	2600	PL507-8	59
500	8	8	13	124	85	148	2x6311 ZZ	2600	PL508-8	64
500	9	8	13	155	100	148	2x6311 ZZ	2600	PL509-8	64
500	10	8	13	155	100	148	2x6311 ZZ	2600	PL5010-8	64
500	4	10	17	110	85	148	2x6311 ZZ	2300	PL504-10	54
500	5	10	17	110	85	148	2x6311 ZZ	2600	PL505-10	54
500	6	10	17	124	85	148	2x6311 ZZ	2600	PL506-10	59
500	7	10	17	155	100	148	2x6311 ZZ	2600	PL507-10	64
500	8	10	17	155	100	148	2x6311 ZZ	2600	PL508-10	64
500	5	12	19	110	85	148	2x6311 ZZ	2600	PL505-12	53
500	6	12	19	124	85	148	2x6311 ZZ	2600	PL506-12	59
500	7	12	19	155	100	148	2x6311 ZZ	2600	PL507-12	64

PL SERİSİ
PL SERIES

PL SERİSİ
PL SERIES

1:1 - 1:2 ASKI
1:1 - 1:2 ROPING

SABİT MİL
FIXED AXLE



Ø520 mm

MİL ÇAP | AXLE DIAMETER

Ø55 mm

MİL BOYU | AXLE LENGTH

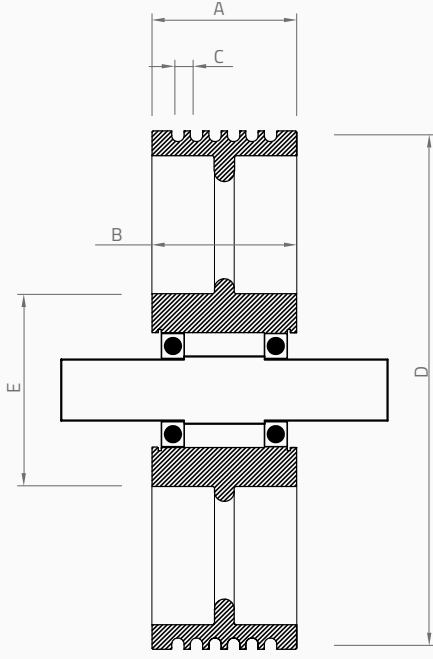
300 mm

KASNAK ÇAP NOMINAL DIAMETER (Ø mm)	KANAL SAYISI NUMBER OF GROOVES	HALAT ÇAP ROPE DIAMETER (Ø mm)	HALAT MERKEZİ DISTANCE BETWEEN ROPES (mm)	GENİŞLİK CROWN WIDTH (mm)	GÖBEK GENİŞLİK HUB WIDTH (mm)	GÖBEK DIŞ ÇAP HUB OUTSIDE DIAMETER (Ø mm)	RULMAN BALL BEARING	STATİK YÜK STATIC LOAD (kg)	ÜRÜN KODU PRODUCT CODE	AĞIRLIK WEIGHT (INCLUDE PILLOW BLOCKS) (kg)
D			C	A	B	E				
520	4	10	17	110	85	148	2x6311 ZZ	2300	PL524-10	61
520	5	10	17	110	85	148	2x6311 ZZ	2600	PL525-10	61
520	6	10	17	124	85	148	2x6311 ZZ	2600	PL526-10	68
520	7	10	17	160	140	148	2x6311 ZZ	3500	PL527-10	83
520	8	10	17	160	140	148	2x6311 ZZ	3500	PL528-10	83
520	5	12	19	110	85	148	2x6311 ZZ	2600	PL525-12	61
520	6	12	19	124	85	148	2x6311 ZZ	2600	PL526-12	68
520	7	12	19	160	140	148	2x6311 ZZ	3500	PL527-12	83
520	5	13	20	124	85	148	2x6311 ZZ	2600	PL525-13	68
520	6	13	20	160	140	148	2x6311 ZZ	3500	PL526-13	83
520	7	13	20	160	140	148	2x6311 ZZ	3500	PL527-13	83

PL SERİSİ
PL SERIES

1:1 - 1:2 ASKI
1:1 - 1:2 ROPING

SABİT MİL
FIXED AXLE



Ø560 mm

MİL ÇAP | AXLE DIAMETER

Ø55 mm

MİL BOYU | AXLE LENGHT

300 mm

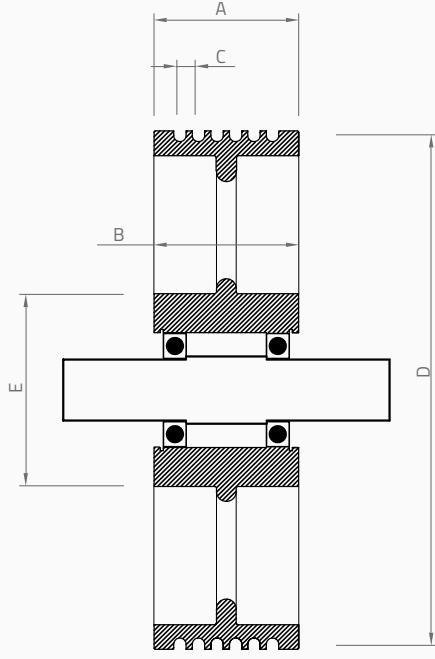
KASNAK ÇAP NOMINAL DIAMETER (Ø mm)	KANAL SAYISI NUMBER OF GROOVES	HALAT ÇAP ROPE DIAMETER (Ø mm)	HALAT MERKEZİ DISTANCE BETWEEN ROPES (mm)	GENİŞLİK CROWN WIDTH (mm)	GÖBEK GENİŞLİK HUB WIDTH (mm)	GÖBEK DIŞ ÇAP HUB OUTSIDE DIAMETER (Ø mm)	RULMAN BALL BEARING	STATİK YÜK STATIC LOAD (kg)	ÜRÜN KODU PRODUCT CODE	AĞIRLIK WEIGHT (INCLUDE PILLOW BLOCKS) (kg)
D			C	A	B	E				
560	4	10	17	110	85	148	2x6311 ZZ	2300	PL524-10	63
560	5	10	17	110	85	148	2x6311 ZZ	2600	PL525-10	63
560	6	10	17	124	85	148	2x6311 ZZ	2600	PL526-10	72
560	7	10	17	160	140	153	2x6311 ZZ	3500	PL527-10	92
560	8	10	17	160	140	153	2x6311 ZZ	3500	PL528-10	92
560	5	12	19	110	85	148	2x6311 ZZ	2600	PL525-12	63
560	6	12	19	124	85	148	2x6311 ZZ	2600	PL526-12	72
560	7	12	19	160	140	153	2x6311 ZZ	3500	PL527-12	92
560	5	13	20	124	85	148	2x6311 ZZ	2600	PL525-13	63
560	6	13	20	160	140	148	2x6311 ZZ	3500	PL526-13	92
560	7	13	20	160	140	148	2x6311 ZZ	3500	PL527-13	92
560	5	14	21	124	85	148	2x6311 ZZ	2600	PL525-13	63
560	6	14	21	124	85	148	2x6311 ZZ	2600	PL526-13	63
560	7	14	21	160	140	148	2x6311 ZZ	3500	PL527-13	92

PL SERİSİ
PL SERIES

PL SERİSİ
PL SERIES

1:1 - 1:2 ASKI
1:1 - 1:2 ROPING

SABİT MİL
FIXED AXLE



Ø600 mm

MİL ÇAPINI | AXLE DIAMETER

Ø55 mm

MİL BOYU | AXLE LENGTH

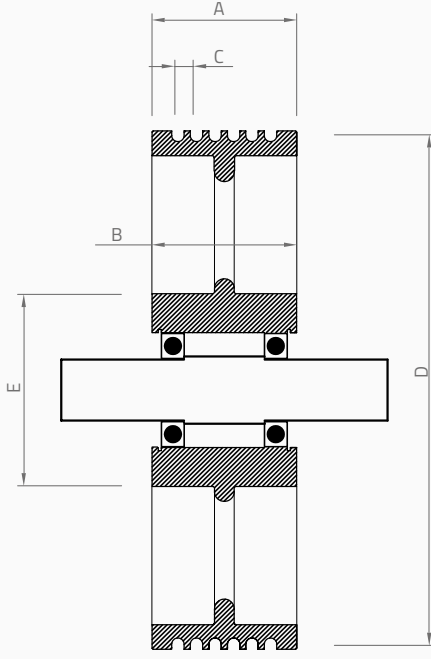
300 mm

KASNAK ÇAPINI NOMİNAL DIAMETER (Ø mm)	KANAL SAYISI NUMBER OF GROOVES	HALAT ÇAPINI ROPE DIAMETER (Ø mm)	HALAT MERKEZİ DISTANCE BETWEEN ROPES (mm)	GENİŞLİK CROWN WIDTH (mm)	GÖBEK GENİŞLİK HUB WIDTH (mm)	GÖBEK DIŞ ÇAP HUB OUTSIDE DIAMETER (Ø mm)	RULMAN BALL BEARING	STATİK YÜK STATIC LOAD (kg)	ÜRÜN KODU PRODUCT CODE	AĞIRLIK WEIGHT (INCLUDE PILLOW BLOCKS) (kg)
D			C	A	B	E				
600	4	10	17	124	85	148	2x6311 ZZ	2300	PL604-10	78
600	5	10	17	124	85	148	2x6311 ZZ	2600	PL605-10	78
600	6	10	17	124	85	148	2x6311 ZZ	2600	PL606-10	78
600	7	10	17	160	140	153	2x6311 ZZ	3500	PL607-10	100
600	8	10	17	160	140	153	2x6311 ZZ	3500	PL608-10	100
600	5	12	19	124	85	148	2x6311 ZZ	2600	PL605-12	78
600	6	12	19	124	85	148	2x6311 ZZ	2600	PL606-12	78
600	7	12	19	160	140	153	2x6311 ZZ	3500	PL607-12	100
600	5	13	20	124	85	148	2x6311 ZZ	2600	PL605-13	78
600	6	13	20	160	140	153	2x6311 ZZ	3500	PL606-13	100
600	7	13	20	160	140	153	2x6311 ZZ	3500	PL607-13	100
600	4	14	21	124	85	148	2x6311 ZZ	2600	PL605-14	78
600	5	14	21	124	85	148	2x6311 ZZ	2600	PL606-14	78
600	6	14	21	160	140	153	2x6311 ZZ	3500	PL607-14	100
600	4	15	22	124	85	148	2x6311 ZZ	2600	PL605-15	78
600	5	15	21	124	85	148	2x6311 ZZ	2600	PL606-15	78
600	6	15	22	160	140	153	2x6311 ZZ	3500	PL607-15	100

PL SERİSİ
PL SERIES

1:1 - 1:2 ASKI
1:1 - 1:2 ROPING

SABİT MİL
FIXED AXLE



Ø640 mm

MİL ÇAPINI | AXLE DIAMETER

Ø55 mm

MİL BOYU | AXLE LENGTH

300 mm

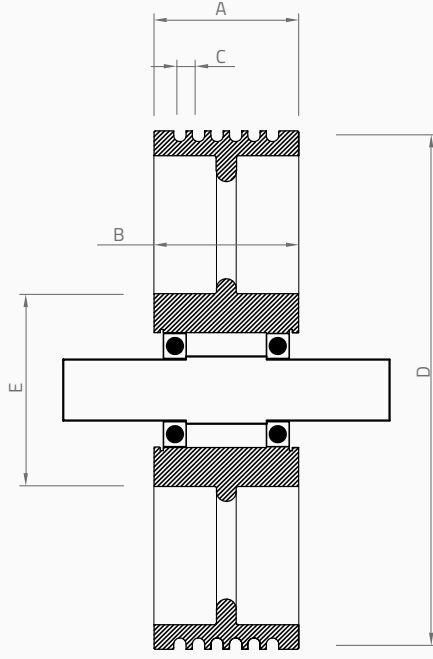
KASNAK ÇAPINI NOMINAL DIAMETER (Ø mm)	KANAL SAYISI NUMBER OF GROOVES	HALAT ÇAPINI ROPE DIAMETER (Ø mm)	HALAT MERKEZİ DISTANCE BETWEEN ROPES (mm)	GENİŞLİK CROWN WIDTH (mm)	GÖBEK GENİŞLİK HUB WIDTH (mm)	GÖBEK DIŞ ÇAP HUB OUTSIDE DIAMETER (Ø mm)	RULMAN BALL BEARING	STATİK YÜK STATIC LOAD (kg)	ÜRÜN KODU PRODUCT CODE	AĞIRLIK WEIGHT (INCLUDE PILLOW BLOCKS) (kg)
D			C	A	B	E				
640	4	10	17	124	85	148	2x6311 ZZ	2300	PL644-10	89
640	5	10	17	124	85	148	2x6311 ZZ	2600	PL645-10	89
640	6	10	17	124	85	148	2x6311 ZZ	2600	PL646-10	89
640	7	10	17	160	140	153	2x6311 ZZ	3500	PL647-10	110
640	8	10	17	160	140	153	2x6311 ZZ	3500	PL648-10	110
640	5	12	19	124	85	148	2x6311 ZZ	2600	PL645-12	89
640	6	12	19	124	85	148	2x6311 ZZ	2600	PL646-12	89
640	7	12	19	160	140	153	2x6311 ZZ	3500	PL647-12	110
640	5	13	20	124	85	148	2x6311 ZZ	2600	PL645-13	89
640	6	13	20	160	140	148	2x6311 ZZ	3500	PL646-13	89
640	7	13	20	160	140	148	2x6311 ZZ	3500	PL647-13	110
640	4	14	21	124	85	148	2x6311 ZZ	2600	PL645-14	89
640	5	14	21	124	85	148	2x6311 ZZ	2600	PL646-14	89
640	6	14	21	160	140	153	2x6311 ZZ	3500	PL647-14	110
640	4	15	22	124	85	148	2x6311 ZZ	2600	PL645-15	89
640	5	15	21	124	85	148	2x6311 ZZ	2600	PL646-15	89
640	6	15	22	160	140	153	2x6311 ZZ	3500	PL647-15	110
640	4	16	23	124	85	148	2x6311 ZZ	2600	PL645-16	89
640	5	16	23	160	140	153	2x6311 ZZ	3500	PL646-16	110
640	6	16	23	160	140	153	2x6311 ZZ	3500	PL647-16	110

PL SERİSİ
PL SERIES

PL SERİSİ
PL SERIES

1:1 - 1:2 ASKI
1:1 - 1:2 ROPING

SABİT MİL
FIXED AXLE



Ø680 mm

MİL ÇAP | AXLE DIAMETER

Ø55 mm

MİL BOYU | AXLE LENGTH

300 mm

KASNAK ÇAP NOMINAL DIAMETER (Ø mm)	KANAL SAYISI NUMBER OF GROOVES	HALAT ÇAP ROPE DIAMETER (Ø mm)	HALAT MERKEZİ DISTANCE BETWEEN ROPES (mm)	GENİŞLİK CROWN WIDTH (mm)	GÖBEK GENİŞLİK HUB WIDTH (mm)	GÖBEK DIŞ ÇAP HUB OUTSIDE DIAMETER (Ø mm)	RULMAN BALL BEARING	STATİK YÜK STATIC LOAD (kg)	ÜRÜN KODU PRODUCT CODE	AĞIRLIK WEIGHT (INCLUDE PILLOW BLOCKS) (kg)
D			C	A	B	E				
680	4	10	17	124	85	148	2x6311 ZZ	2300	PL684-10	87
680	5	10	17	124	85	148	2x6311 ZZ	2600	PL685-10	87
680	6	10	17	124	85	148	2x6311 ZZ	2600	PL686-10	87
680	7	10	17	160	140	153	2x6311 ZZ	3500	PL687-10	113
680	8	10	17	160	140	153	2x6311 ZZ	3500	PL688-10	113
680	5	12	19	124	85	148	2x6311 ZZ	2600	PL685-12	87
680	6	12	19	124	85	148	2x6311 ZZ	2600	PL686-12	87
680	7	12	19	160	140	153	2x6311 ZZ	3500	PL687-12	113
680	5	13	20	124	85	148	2x6311 ZZ	2600	PL685-13	87
680	6	13	20	160	140	153	2x6311 ZZ	3500	PL686-13	113
680	7	13	20	160	140	153	2x6311 ZZ	3500	PL687-13	113
680	4	14	21	124	85	148	2x6311 ZZ	2600	PL685-14	87
680	5	14	21	124	85	148	2x6311 ZZ	2600	PL686-14	87
680	6	14	21	160	140	153	2x6311 ZZ	3500	PL687-14	113
680	4	15	22	124	85	148	2x6311 ZZ	2600	PL685-15	87
680	5	15	21	124	85	148	2x6311 ZZ	2600	PL686-15	87
680	6	15	22	160	140	153	2x6311 ZZ	3500	PL687-15	113
680	4	16	23	124	85	148	2x6311 ZZ	2600	PL685-16	87
680	5	16	23	160	140	153	2x6311 ZZ	3500	PL686-16	113
680	6	16	23	160	140	153	2x6311 ZZ	3500	PL687-16	113