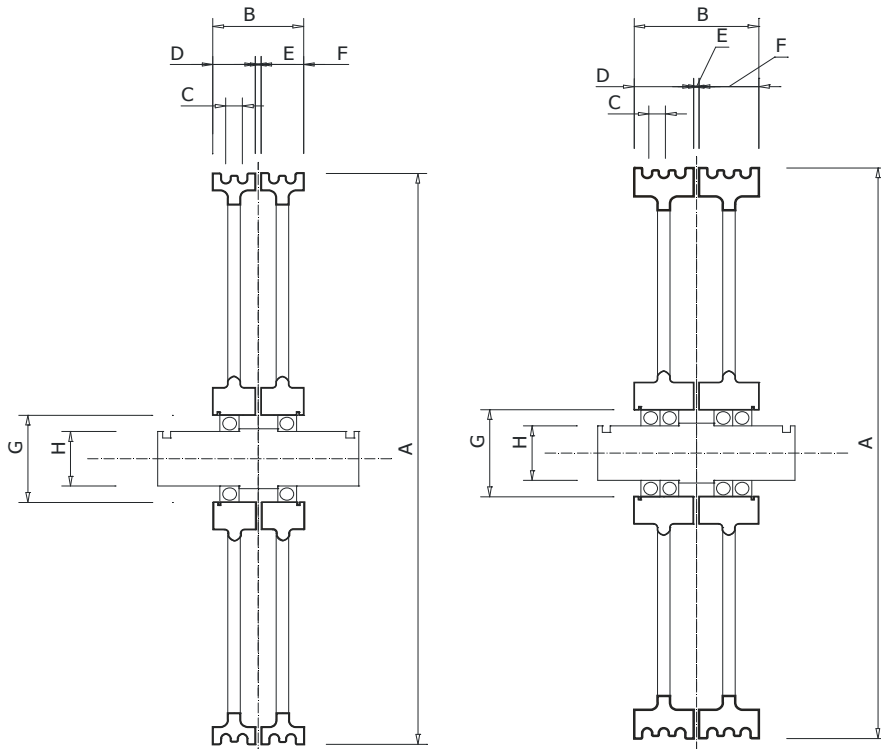




HİDROLİK ASANSÖR KASNAĞI ( ÇİFT YÖNLÜ ) SİPARİŞ FORMU  
HYDRAULIC LIFT PULLEY ( BI-DIRECTIONAL ) ORDER FORM

FİRMA ADI / COMPANY NAME	TELEFON / TELEPHONE
FİRMA ADRESİ / COMPANY ADDRESS	FAKS / FAX
SEVK ADRESİ / ADDRESS OF SHIPMENT	SİPARİŞ TARİHİ / ORDER DATE
FİRMA YETKİLİSİ / COMPANY AUTHORITY	TESLİM TARİHİ / DELIVERY TIME

KASNAK DETAYLARI / PULLEY DETAILS		ÖLÇÜLER / DIMENSIONS	
KASNAK ÇAPI / DIAMETER OF PULLEY		A	
HALAT SAYISI / NUMBER OF ROPE	+	B	
HALAT ÇAPI / ROPE DIAMETER		C	
MAKİNA ADI VE MODELİ / TRACTION MAC. NAME & TYPE		D	
HIZ / SPEED ( NOMINAL )		E	m/s
YÜK ( KASNAGA GELEN ) / LOAD ( TO PULLEY )		F	n - kg
MİL ÇAPI / AXLE DIAMETER		G	mm
RULMAN ADETİ / NUMBER OF BEARING	+	H	
HALAT MERKEZLERİ / ROPE AXLE			mm
ADET / QUANTITY			



KAMA ÖLÇÜLERİ ( MİLDE KAMA İSTENİYORSA )  
CLEAT DIMENSIONS ( IF REQUESTED IN AXLE )

