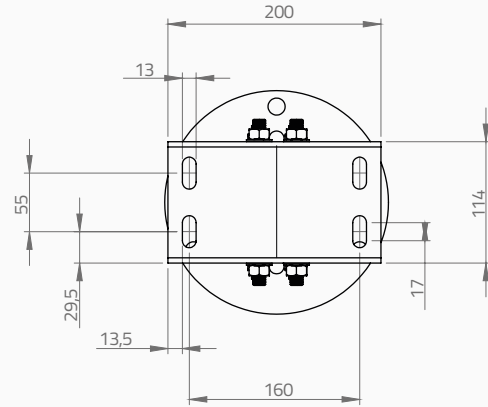
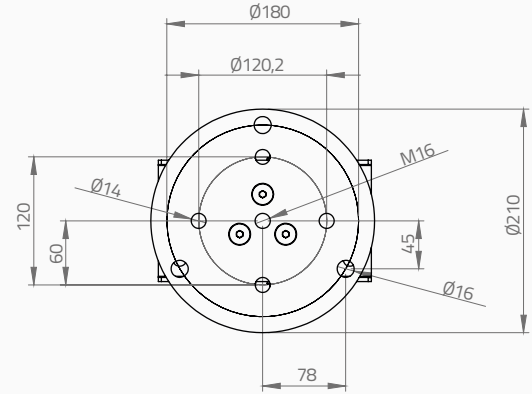
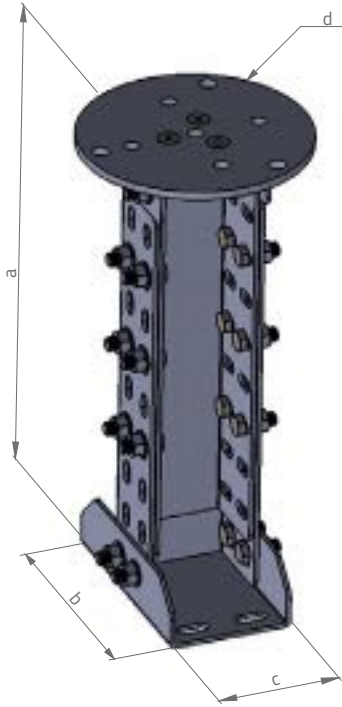


TAMPON YÜKSELTME SEHBASI

BUFFER ELEVATION PLATFORM



KOD CODE	a	b	c	d
16200	min:450 max:660	200	114	210
16201	min:580 max:910	200	114	210

ÜRÜN KODU PRODUCT CODE	ALTI KÖŞE BAŞLI CİVATA HEXAGON HEAD BOLTS THREADED UP TO HEAD (DIN 933)	ATIKÖŞE SOMUN HEXAGON NUTS (DIN 934)	PUL FLAT WASHERS (DIN 125)	MAX TAŞIMA KAPASİTESİ (90°) MAX LOAD CAPACITY (90°) (kg)	TABAN BAĞLANTI VİDASI BASE CONNECTION BOLTS	AĞIRLIK WEIGHT (kg)
16200	M12x25 (20 ad/pcs)	M12 (20 ad/pcs)	M12 (20 ad/pcs)	3600	M12 (4 ad/pcs)	9,90
16201	M12x25 (20 ad/pcs)	M12 (20 ad/pcs)	M12 (20 ad/pcs)	3200		11,50

TÜM METAL YÜZEYLER GALVANİZLİDİR.
ALL METAL SURFACES ARE GALVANIZED.

BAĞLANTISI UYUMLU MARKALAR : BASF, OLEO, AKSOZ.
BRANDS OF CONNECTION COMPATIBLE : BASF, OLEO, AKSOZ.

M16 BAĞLANTI CİVATASI OLAN TÜM POLİÜRETAN VE KAUÇUK TAMPONLAR İLE UYUMLUDUR.
ALL POLYURETHANE AND RUBBER BUFFERS WHICH CONTAIN M16 CONNECTED PIN ARE COMPATIBLE