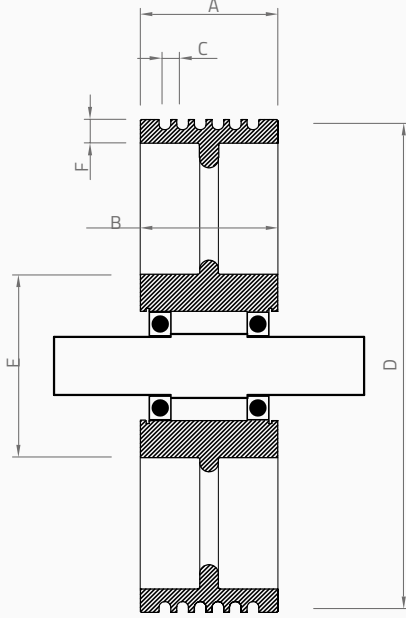


**SK SERİSİ**  
SK SERIES

**1:1 ASKI**  
1:1 ROPING

**SABİT MİL**  
FIXED AXLE



**Ø240 mm**

**MİL ÇAPINI** | AXLE DIAMETER

Ø50 mm

**MİL BOYU** | AXLE LENGTH

300 mm

**RULMAN** | BALL BEARING

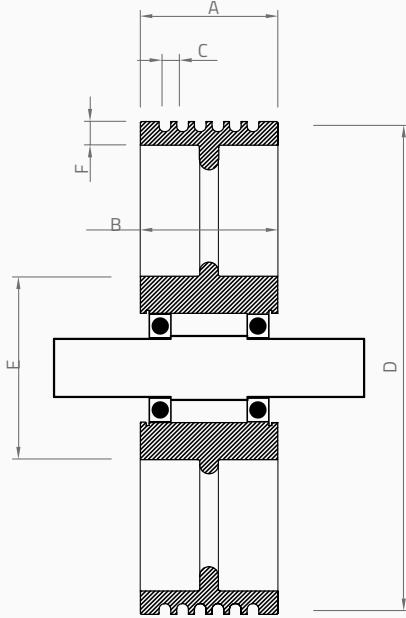
2x6210 ZZ

KASNAK ÇAPINI NOMİNAL DIAMETER (Ø mm)	KANAL SAYISI NUMBER OF GROOVES	HALAT ÇAPINI ROPE DIAMETER (Ø mm)	HALAT MERKEZİ DISTANCE BETWEEN ROPES (mm)	GENİŞLİK CROWN WIDTH (mm)	GÖBEK GENİŞLİK HUB WIDTH (mm)	GÖBEK DIŞI ÇAP HUB OUTSIDE DIAMETER (Ø mm)	KENAR KALINLIK SIDE WIDTH (mm)	STATİK YÜK STATIC LOAD (kg)	ÜRÜN KODU PRODUCT CODE	AĞIRLIK WEIGHT (INCLUDE PILLOW BLOCKS) (kg)
D			C	A	B	E	F			
240	4	6.5	11	82	82	100	18	850	SL404-6,5	32
240	5	6.5	11	82	82	100	18	1050	SL405-6,5	32
240	6	6.5	11	105	82	100	18	1450	SL406-6,5	34
240	7	6.5	11	105	82	100	18	1550	SL407-6,5	34
240	8	6.5	11	116	82	100	18	1600	SL408-6,5	36
240	4	8	13	82	82	100	18	1450	SL404-8	32
240	5	8	13	82	82	100	18	1450	SL405-8	32
240	6	8	13	105	82	100	18	1550	SL406-8	34
240	7	8	13	116	82	100	18	1600	SL407-8	36
240	4	10	17	105	82	100	18	1600	SL404-10	34
240	5	10	17	116	82	100	18	1600	SL405-10	36

## SK SERİSİ SK SERIES

1:1 ASKI  
1:1 ROPING

SABİT MİL  
FIXED AXLE



Ø320 mm

MİL ÇAP | AXLE DIAMETER

Ø50 mm

MİL BOYU | AXLE LENGTH

300 mm

RULMAN | BALL BEARING

2x6210 ZZ

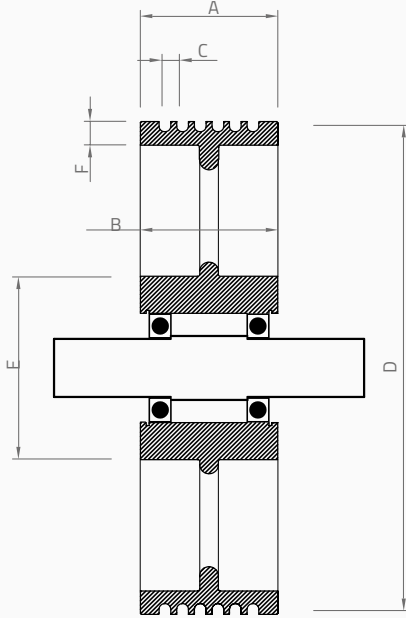
KASNAK ÇAP NOMİNAL DIAMETER (Ø mm)	KANAL SAYISI NUMBER OF GROOVES	HALAT ÇAP ROPE DIAMETER (Ø mm)	HALAT MERKEZİ DISTANCE BETWEEN ROPES (mm)	GENİŞLİK CROWN WIDTH (mm)	GÖBEK GENİŞLİK HUB WIDTH (mm)	GÖBEK DIŞ ÇAP HUB OUTSIDE DIAMETER (Ø mm)	KENAR KALINLIK SIDE WIDTH (mm)	STATİK YÜK STATIC LOAD (kg)	ÜRÜN KODU PRODUCT CODE	AĞIRLIK WEIGHT (INCLUDE PILLOW BLOCKS) (kg)
D			C	A	B	E	F			
320	4	6.5	11	95	105	125	21	1050	SK324-6,5	36
320	5	6.5	11	95	105	125	21	1050	SK325-6,5	36
320	6	6.5	11	95	105	125	21	1500	SK326-6,5	36
320	7	6.5	11	95	105	125	21	1500	SK327-6,5	36
320	8	6.5	11	125	105	125	21	1900	SK328-6,5	40
320	9	6.5	11	125	105	125	21	1900	SK329-6,5	40
320	10	6.5	11	125	105	125	21	2100	SK3210-6,5	40
320	11	6.5	11	165	105	125	21	2200	SK3211-6,5	50
320	12	6.5	11	165	105	125	21	2200	SK3212-6,5	50
320	13	6.5	11	165	105	125	21	2200	SK3213-6,5	50
320	4	8	13	95	105	125	21	1500	SK324-8	36
320	5	8	13	95	105	125	21	1850	SK325-8	36
320	6	8	13	95	105	125	21	2200	SK326-8	36
320	7	8	13	125	105	125	21	2200	SK327-8	40
320	8	8	13	125	105	125	21	2200	SK328-8	40
320	9	8	13	165	105	125	21	2200	SK329-8	50
320	10	8	13	165	105	125	21	2200	SK3210-8	50
320	11	8	13	165	105	125	21	2200	SK3211-8	50
320	4	10	17	95	105	125	21	2300	SK324-10	36
320	5	10	17	125	105	125	21	2300	SK325-10	40
320	6	10	17	125	105	125	21	2300	SK326-10	40
320	7	10	17	165	105	125	21	2300	SK327-10	50
320	8	10	17	165	105	125	21	2300	SK328-10	50

SK SERİSİ  
SK SERIES

## SK SERİSİ SK SERIES

1:1 ASKI  
1:1 ROPING

SABİT MİL  
FIXED AXLE



Ø350 - 360 mm

MİL ÇAPINI | AXLE DIAMETER

Ø50 mm

MİL BOYU | AXLE LENGTH

300 mm

RULMAN | BALL BEARING

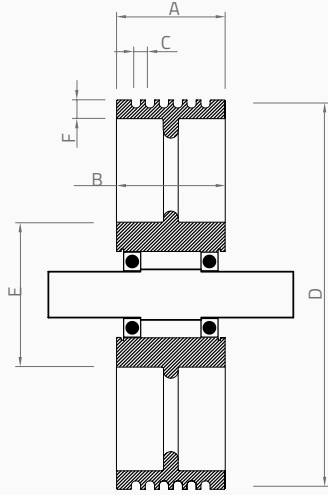
2x6210 ZZ

KASNAK ÇAPINI NOMİNAL DIAMETER (Ø mm)	KANAL SAYISI NUMBER OF GROOVES	HALAT ÇAPINI ROPE DIAMETER (Ø mm)	HALAT MERKEZİ DISTANCE BETWEEN ROPES (mm)	GENİŞLİK CROWN WIDTH (mm)	GÖBEK GENİŞLİK HUB WIDTH (mm)	GÖBEK DIŞI ÇAP HUB OUTSIDE DIAMETER (Ø mm)	KENAR KALINLIK SIDE WIDTH (mm)	STATİK YÜK STATIC LOAD (kg)	ÜRÜN KODU PRODUCT CODE	AĞIRLIK WEIGHT (INCLUDE PILLOW BLOCKS) (kg)
D			C	A	B	E	F			
350	6	8	20	124	124	140	21	2300	SKEL356-8	35
350	8	8	20	160	124	140	21	2300	SKEL368-8	55
360	4	6.5	11	95	105	125	21	1050	SK364-6,5	40
360	5	6.5	11	95	105	125	21	1050	SK365-6,5	40
360	6	6.5	11	95	105	125	21	1500	SK366-6,5	40
360	7	6.5	11	95	105	125	21	1500	SK367-6,5	40
360	8	6.5	11	125	105	125	21	1900	SK368-6,5	46
360	9	6.5	11	125	105	125	21	1900	SK369-6,5	46
360	10	6.5	11	125	105	125	21	2100	SK3610-6,5	46
360	4	8	13	95	105	125	21	1500	SK364-8	40
360	5	8	13	95	105	125	21	1850	SK365-8	40
360	6	8	13	95	105	125	21	2200	SK366-8	40
360	7	8	13	125	105	125	21	2200	SK367-8	46
360	8	8	13	125	105	125	21	2200	SK368-8	46
360	4	10	17	95	105	125	21	2300	SK364-10	40
360	5	10	17	125	105	125	21	2300	SK365-10	46
360	6	10	17	125	105	125	21	2300	SK366-10	46

## SK SERİSİ SK SERIES

1:1 ASKI  
1:1 ROPING

SABİT MİL  
FIXED AXLE



Ø400 mm

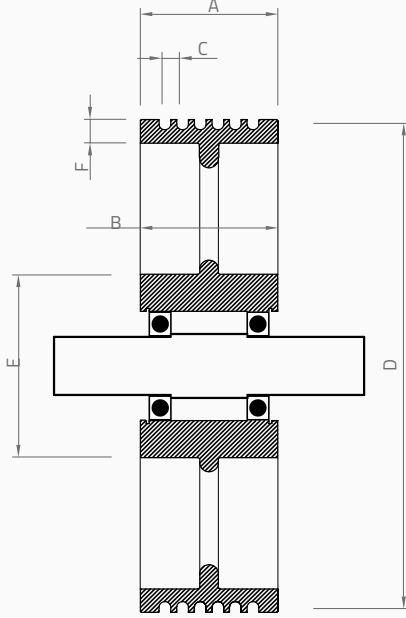
MİL ÇAPI   AXLE DIAMETER	Ø50 mm
MİL BOYU   AXLE LENGTH	300 mm
RULMAN   BALL BEARING	2x6210 ZZ

KASNAK ÇAPI NOMİNAL DIAMETER (Ø mm)	KANAL SAYISI NUMBER OF GROOVES	HALAT ÇAPI ROPE DIAMETER (Ø mm)	HALAT MERKEZİ DISTANCE BETWEEN ROPES (mm)	GENİŞLİK CROWN WIDTH (mm)	GÖBEK GENİŞLİK HUB WIDTH (mm)	GÖBEK DIŞ ÇAP HUB OUTSIDE DIAMETER (Ø mm)	KENAR KALINLIK SIDE WIDTH (mm)	STATİK YÜK STATIC LOAD (kg)	ÜRÜN KODU PRODUCT CODE	AĞIRLIK WEIGHT (INCLUDE PILLOW BLOCKS) (kg)
D			C	A	B	E	F			
400	4	6.5	11	82	105	125	21	1050	SK404-6,5	36
400	5	6.5	11	82	105	125	21	1050	SK405-6,5	36
400	6	6.5	11	82	105	125	21	1050	SK406-6,5	36
400	7	6.5	11	105	105	125	21	1500	SK407-6,5	39
400	8	6.5	11	105	105	125	21	1500	SK408-6,5	39
400	9	6.5	11	116	105	125	21	1600	SK409-6,5	39
400	10	6.5	11	165	105	125	21	2200	SK410-6,5	42
400	11	6.5	11	165	105	125	21	2200	SK411-6,5	51
400	12	6.5	11	165	105	125	21	2200	SK412-6,5	51
400	13	6.5	11	165	105	125	21	2200	SK413-6,5	51
400	4	8	13	82	105	125	21	1500	SK404-8	36
400	5	8	13	82	105	125	21	1850	SK405-8	36
400	6	8	13	105	105	125	21	2200	SK406-8	39
400	7	8	13	116	105	125	21	2200	SK407-8	42
400	8	8	13	165	105	125	21	2200	SK408-8	51
400	9	8	13	165	105	125	21	2200	SK409-8	51
400	10	8	13	165	105	125	21	2200	SK4010-8	51
400	11	8	13	165	105	125	21	2200	SK4011-8	51
400	4	10	17	82	105	125	21	2300	SK404-10	36
400	5	10	17	105	105	125	21	2300	SK405-10	39
400	6	10	17	165	105	125	21	2300	SK406-10	51
400	7	10	17	165	105	125	21	2300	SK407-10	51
400	8	10	17	165	105	125	21	2300	SK408-10	51
400	5	12	18	105	105	125	21	2300	SK405-12	39
400	6	12	19	165	105	125	21	2300	SK406-12	51
400	7	12	19	165	105	125	21	2300	SK407-12	51
400	8	12	18	165	105	125	21	2300	SK408-12	51

## SK SERİSİ SK SERIES

1:1 ASKI  
1:1 ROPING

SABİT MİL  
FIXED AXLE



Ø450 mm

MİL ÇAP | AXLE DIAMETER

Ø50 mm

MİL BOYU | AXLE LENGTH

300 mm

RULMAN | BALL BEARING

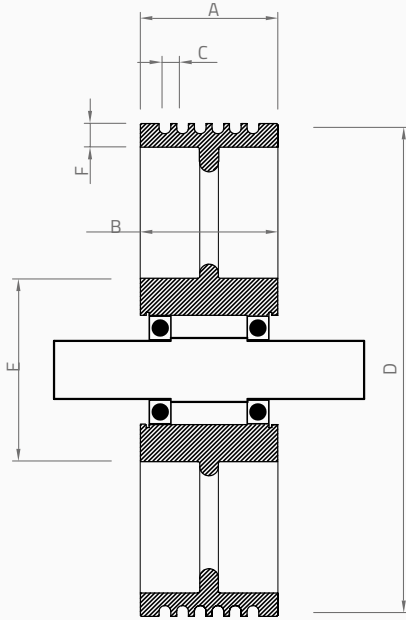
2x6210 ZZ

KASNAK ÇAP NOMINAL DIAMETER (Ø mm)	KANAL SAYISI NUMBER OF GROOVES	HALAT ÇAP ROPE DIAMETER (Ø mm)	HALAT MERKEZİ DISTANCE BETWEEN ROPES (mm)	GENİŞLİK CROWN WIDTH (mm)	GÖBEK GENİŞLİK HUB WIDTH (mm)	GÖBEK DIŞ ÇAP HUB OUTSIDE DIAMETER (Ø mm)	KENAR KALINLIK SIDE WIDTH (mm)	STATİK YÜK STATIC LOAD (kg)	ÜRÜN KODU PRODUCT CODE	AĞIRLIK WEIGHT (INCLUDE PILLOW BLOCKS) (kg)
D			C	A	B	E	F			
450	4	6.5	11	92	105	125	25	1050	SK454-6,5	49
450	5	6.5	11	92	105	125	25	1050	SK455-6,5	49
450	6	6.5	11	92	105	125	25	1600	SK456-6,5	49
450	7	6.5	11	120	105	125	25	1600	SK457-6,5	57
450	8	6.5	11	120	105	125	25	2000	SK458-6,5	57
450	9	6.5	11	120	105	125	25	2000	SK459-6,5	57
450	10	6.5	11	150	105	125	25	2000	SK459-6,5	63
450	11	6.5	11	150	105	125	25	2000	SK459-6,5	63
450	12	6.5	11	150	105	125	25	2000	SK459-6,5	63
450	4	8	13	92	105	125	25	1500	SK454-8	49
450	5	8	13	92	105	125	25	1850	SK455-8	49
450	6	8	13	120	105	125	25	2200	SK456-8	57
450	7	8	13	120	105	125	25	2200	SK457-8	57
450	8	8	13	120	105	125	25	2200	SK458-8	57
450	9	8	13	150	105	125	25	2380	SK458-8	63
450	10	8	13	150	105	125	25	2380	SK458-8	63
450	4	10-11	17	92	105	125	25	2380	SK454-10	49
450	5	10-11	17	120	105	125	25	2380	SK455-10	57
450	6	10-11	17	120	105	125	25	2380	SK456-10	57
450	4	12	19	92	93	125	25	2460	SK452-12	49
450	5	12	19	120	93	125	25	2460	SK453-12	57
450	6	12	19	150	93	125	25	2460	SK454-12	63
450	7	12	19	150	93	125	25	2460	SK455-12	63
450	8	12	19	150	93	125	25	2460	SK456-12	63

**SK SERİSİ**  
SK SERIES

**1:1 ASKI**  
1:1 ROPING

**SABİT MİL**  
FIXED AXLE



**Ø480 mm**

<b>MİL ÇAPİ</b>   AXLE DIAMETER	Ø50 mm
<b>MİL BOYU</b>   AXLE LENGHT	300 mm
<b>RULMAN</b>   BALL BEARING	2x6210 ZZ

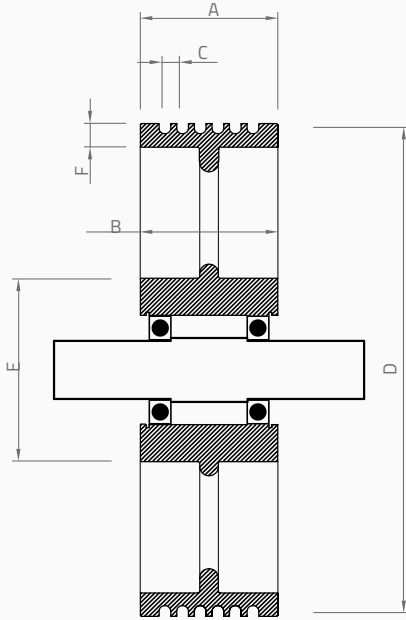
KASNAK ÇAPİ NOMİNAL DIAMETER (Ø mm)	KANAL SAYISI NUMBER OF GROOVES	HALAT ÇAPİ ROPE DIAMETER (Ø mm)	HALAT MERKEZİ DISTANCE BETWEEN ROPES (mm)	GENİŞLİK CROWN WIDTH (mm)	GÖBEK GENİŞLİK HUB WIDTH (mm)	GÖBEK DIŞ ÇAP HUB OUTSIDE DIAMETER (Ø mm)	KENAR KALINLIK SIDE WIDTH (mm)	STATİK YÜK STATIC LOAD (kg)	ÜRÜN KODU PRODUCT CODE	AĞIRLIK WEIGHT (INCLUDE PILLOW BLOCKS) (kg)
D			C	A	B	E	F			
480	4	10-11	17	95	105	120	29	2300	SK484-10	54
480	5	10-11	17	130	105	120	29	2600	SK485-10	62
480	6	10-11	17	130	105	120	29	2600	SK486-10	62
480	4	12	19	130	105	120	29	2600	SK484-12	62
480	5	12	19	130	105	120	29	2600	SK485-12	62
480	6	12	19	130	105	120	29	2600	SK486-12	62

**SK SERİSİ**  
SK SERIES

**SK SERİSİ**  
SK SERIES

**1:1 ASKI**  
1:1 ROPING

**SABİT MİL**  
FIXED AXLE



**Ø500 mm**

**MİL ÇAP | AXLE DIAMETER**

Ø50 mm

**MİL BOYU | AXLE LENGTH**

300 mm

**RULMAN | BALL BEARING**

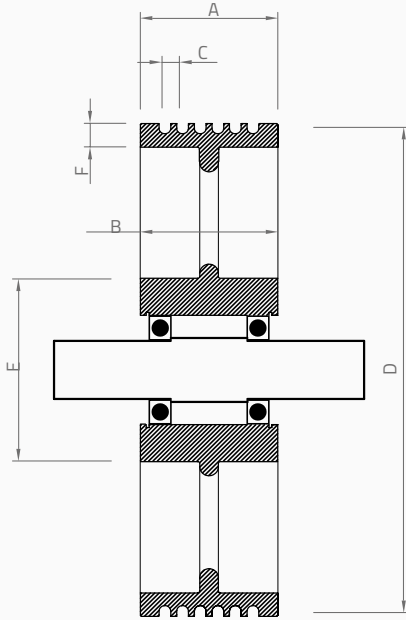
2x6210 ZZ

KASNAK ÇAP NOMINAL DIAMETER (Ø mm)	KANAL SAYISI NUMBER OF GROOVES	HALAT ÇAP ROPE DIAMETER (Ø mm)	HALAT MERKEZİ DISTANCE BETWEEN ROPES (mm)	GENİŞLİK CROWN WIDTH (mm)	GÖBEK GENİŞLİK HUB WIDTH (mm)	GÖBEK DIŞ ÇAP HUB OUTSIDE DIAMETER (Ø mm)	KENAR KALINLIK SIDE WIDTH (mm)	STATİK YÜK STATIC LOAD (kg)	ÜRÜN KODU PRODUCT CODE	AĞIRLIK WEIGHT (INCLUDE PILLOW BLOCKS) (kg)
D			C	A	B	E	F			
500	4	10-11	17	95	105	120	28	2300	SK504-10	56
500	5	10-11	17	130	105	120	28	2600	SK505-10	64
500	6	10-11	17	130	105	120	28	2600	SK506-10	64
500	7	10-11	17	150	105	120	28	2600	SK507-10	70
500	8	10-11	17	185	105	120	28	2600	SK508-10	72
500	9	10-11	17	185	105	120	28	2600	SK509-10	72
500	10	10-11	17	185	105	120	28	2600	SK5010-10	72
500	4	12	19	130	105	120	28	2600	SK504-12	64
500	5	12	19	130	105	120	28	2600	SK505-12	64
500	6	12	19	130	105	120	28	2600	SK506-12	64
500	7	12	19	150	105	120	28	2600	SK507-12	70
500	8	12	19	185	105	120	28	2600	SK508-12	72

**SK SERİSİ**  
SK SERIES

**1:1 ASKI**  
1:1 ROPING

**SABİT MİL**  
FIXED AXLE



**Ø520 mm**

<b>MİL ÇAP   AXLE DIAMETER</b>	Ø55 mm
<b>MİL BOYU   AXLE LENGTH</b>	300 mm
<b>RULMAN   BALL BEARING</b>	2x6211 ZZ

KASNAK ÇAP NOMINAL DIAMETER (Ø mm)	KANAL SAYISI NUMBER OF GROOVES	HALAT ÇAP ROPE DIAMETER (Ø mm)	HALAT MERKEZİ DISTANCE BETWEEN ROPES (mm)	GENİŞLİK CROWN WIDTH (mm)	GÖBEK GENİŞLİK HUB WIDTH (mm)	GÖBEK DIŞ ÇAP HUB OUTSIDE DIAMETER (Ø mm)	KENAR KALINLIK SIDE WIDTH (mm)	STATİK YÜK STATIC LOAD (kg)	ÜRÜN KODU PRODUCT CODE	AĞIRLIK WEIGHT (INCLUDE PILLOW BLOCKS) (kg)
D			C	A	B	E	F			
520	4	10-11	17	90	105	120	28	2300	SK524-10	59
520	5	10-11	17	120	105	120	28	2700	SK525-10	68
520	6	10-11	17	120	105	120	28	2800	SK526-10	68
520	7	10-11	17	155	105	120	28	2800	SK527-10	74
520	8	10-11	17	155	105	120	28	2800	SK528-10	74
520	4	12	19	120	105	120	28	2800	SK524-12	68
520	5	12	19	120	105	120	28	2800	SK525-12	68
520	6	12	19	155	105	120	28	2800	SK526-12	74
520	7	12	19	155	105	120	28	2800	SK527-12	74
520	4	13	19	120	105	120	28	2800	SK524-13	68
520	5	13	19	120	105	120	28	2800	SK525-13	68
520	6	13	19	155	105	120	28	2800	SK526-13	74
520	7	13	19	155	105	120	28	2800	SK527-13	74

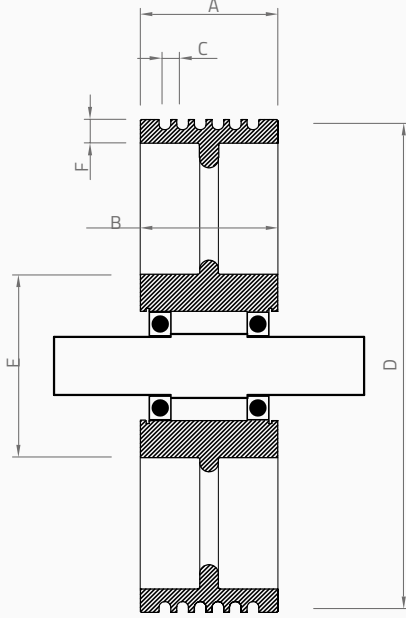
**SK SERİSİ**  
SK SERIES



## SK SERİSİ SK SERIES

1:1 ASKI  
1:1 ROPING

SABİT MİL  
FIXED AXLE



Ø560 mm

MİL ÇAP | AXLE DIAMETER

Ø55 mm

MİL BOYU | AXLE LENGTH

300 mm

RULMAN | BALL BEARING

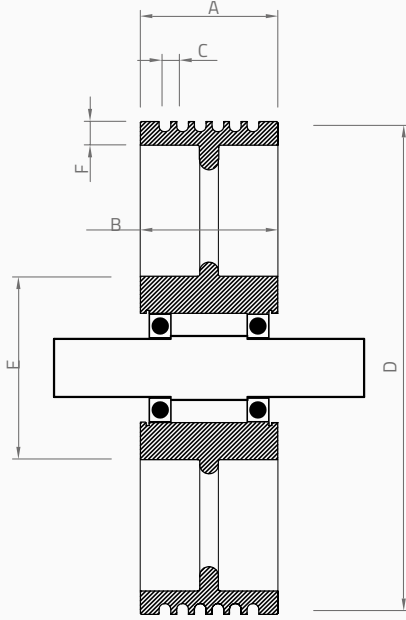
2x6211 ZZ

KASNAK ÇAP NOMİNAL DIAMETER (Ø mm)	KANAL SAYISI NUMBER OF GROOVES	HALAT ÇAP ROPE DIAMETER (Ø mm)	HALAT MERKEZİ DISTANCE BETWEEN ROPES (mm)	GENİŞLİK CROWN WIDTH (mm)	GÖBEK GENİŞLİK HUB WIDTH (mm)	GÖBEK DIŞ ÇAP HUB OUTSIDE DIAMETER (Ø mm)	KENAR KALINLIK SIDE WIDTH (mm)	STATİK YÜK STATIC LOAD (kg)	ÜRÜN KODU PRODUCT CODE	AĞIRLIK WEIGHT (INCLUDE PILLOW BLOCKS) (kg)
D			C	A	B	E	F			
560	4	10-11	17	95	105	125	28	2300	SK564-10	67
560	5	10-11	17	130	105	125	28	2800	SK565-10	72
560	6	10-11	17	130	105	125	28	2900	SK566-10	72
560	7	10-11	17	150	105	125	28	2900	SK567-10	79
560	4	12	19	95	105	125	28	2900	SK564-12	67
560	5	12	19	130	105	125	28	2900	SK565-12	72
560	6	12	19	130	105	125	28	2900	SK566-12	72
560	7	12	19	150	105	125	28	2900	SK567-12	79
560	4	13	20	130	105	125	28	2900	SK564-13	72
560	5	13	20	130	105	125	28	2900	SK565-13	72
560	6	13	20	150	105	125	28	2900	SK566-13	79
560	4	14	21	130	105	125	28	2900	SK564-14	72
560	5	14	21	130	105	125	28	2900	SK565-14	72
560	6	14	21	130	105	125	28	2900	SK566-14	79

**SK SERİSİ**  
SK SERIES

**1:1 ASKI**  
1:1 ROPING

**SABİT MİL**  
FIXED AXLE



**Ø600 mm**

**MİL ÇAPINI** | AXLE DIAMETER

Ø55 mm

**MİL BOYU** | AXLE LENGTH

300 mm

**RULMAN** | BALL BEARING

2x6211 ZZ

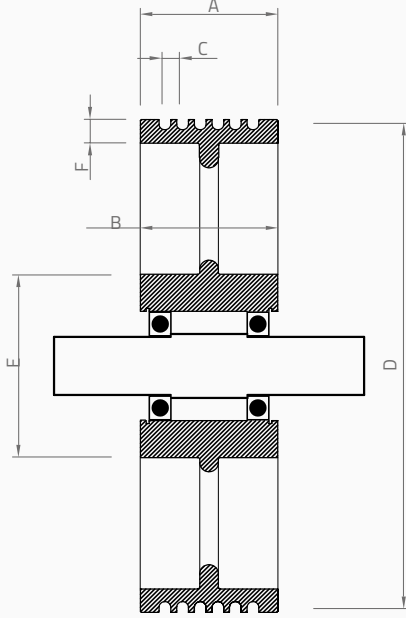
KASNAK ÇAPINI NOMİNAL DIAMETER (Ø mm)	KANAL SAYISI NUMBER OF GROOVES	HALAT ÇAPINI ROPE DIAMETER (Ø mm)	HALAT MERKEZİ DISTANCE BETWEEN ROPES (mm)	GENİŞLİK CROWN WIDTH (mm)	GÖBEK GENİŞLİK HUB WIDTH (mm)	GÖBEK DIŞI ÇAPINI HUB OUTSIDE DIAMETER (Ø mm)	KENAR KALINLIK SIDE WIDTH (mm)	STATİK YÜK STATIC LOAD (kg)	ÜRÜN KODU PRODUCT CODE	AĞIRLIK WEIGHT (INCLUDE PILLOW BLOCKS) (kg)
D			C	A	B	E	F			
600	4	10-11	17	100	105	120	28	2300	SK604-10	75
600	5	10-11	17	100	105	120	28	2800	SK605-10	75
600	6	10-11	17	125	105	120	28	2900	SK606-10	85
600	7	10-11	17	150	105	120	28	2900	SK607-10	92
600	4	12	19	100	105	120	28	2900	SK604-12	75
600	5	12	19	100	105	120	28	2900	SK605-12	85
600	6	12	19	125	105	120	28	2900	SK606-12	92
600	7	12	19	150	105	120	28	2900	SK607-12	92
600	4	13	20	100	105	125	28	2900	SK604-13	75
600	5	13	20	125	105	125	28	2900	SK605-13	85
600	6	13	20	150	105	125	28	2900	SK606-13	92
600	4	14	21	100	105	125	28	2900	SK604-14	75
600	5	14	21	125	105	125	28	2900	SK605-14	85
600	6	14	21	150	105	125	28	2900	SK606-14	92
600	4	15	22	125	105	125	28	2900	SK604-15	85
600	5	15	22	125	105	125	28	2900	SK605-15	85
600	6	15	22	150	105	125	28	2900	SK606-15	92

**SK SERİSİ**  
SK SERIES

**SK SERİSİ**  
SK SERIES

**1:1 ASKI**  
1:1 ROPING

**SABİT MİL**  
FIXED AXLE



**Ø680 mm**

**MİL ÇAP | AXLE DIAMETER**

Ø55 mm

**MİL BOYU | AXLE LENGTH**

300 mm

**RULMAN | BALL BEARING**

2x6211 ZZ

KASNAK ÇAP NOMINAL DIAMETER (Ø mm)	KANAL SAYISI NUMBER OF GROOVES	HALAT ÇAP ROPE DIAMETER (Ø mm)	HALAT MERKEZİ DISTANCE BETWEEN ROPES (mm)	GENİŞLİK CROWN WIDTH (mm)	GÖBEK GENİŞLİK HUB WIDTH (mm)	GÖBEK DIŞ ÇAP HUB OUTSIDE DIAMETER (Ø mm)	KENAR KALINLIK SIDE WIDTH (mm)	STATİK YÜK STATIC LOAD (kg)	ÜRÜN KODU PRODUCT CODE	AĞIRLIK WEIGHT (INCLUDE PILLOW BLOCKS) (kg)
D			C	A	B	E	F			
680	4	10-11	17	95	93	125	28	2300	SK684-10	81
680	5	10-11	17	130	93	125	28	2800	SK686-10	93
680	6	10-11	17	130	93	125	28	3000	SK686-10	93
680	4	12	19	95	93	125	28	3000	SK684-12	81
680	5	12	19	130	93	125	28	3000	SK685-12	93
680	6	12	19	130	93	125	28	3000	SK686-12	93
680	4	13	20	130	93	125	28	3000	SK684-13	93
680	5	13	20	130	93	125	28	3000	SK685-13	93
680	4	13	21	130	93	125	28	3000	SK684-14	93
680	5	13	21	130	93	125	28	3000	SK685-14	93
680	4	13	22	130	93	125	28	3000	SK684-15	93
680	5	13	22	130	93	125	28	3000	SK685-15	93
680	4	13	23	130	93	125	28	3000	SK684-15	93
680	5	13	22	130	93	125	28	3000	SK685-15	93