

PALANGA KASNAKLARI

HEAVY DUTY DIVERTING SHEAVES

PL SERİSİ
PL SERIES



EKONOMİK SERİ | *ECONOMICAL SERIES*
Ø240mm - Ø680mm Arası | *Between*

PK SERİSİ
PK SERIES

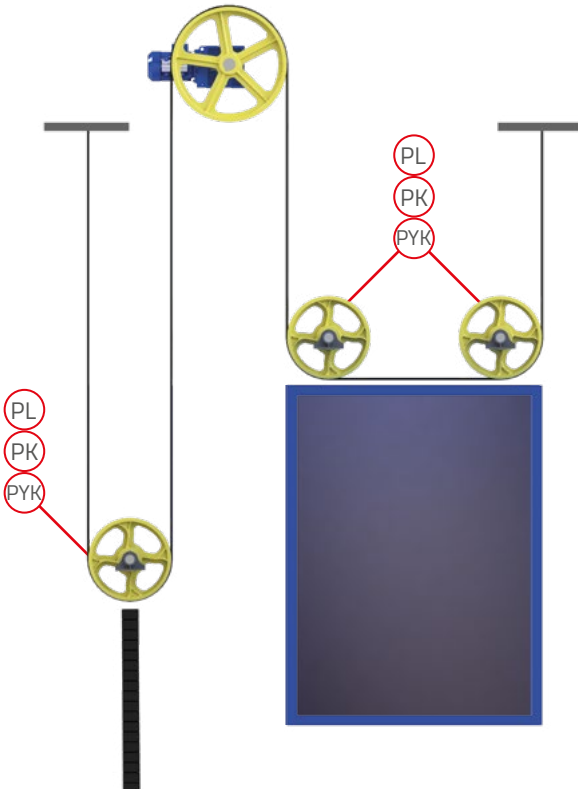
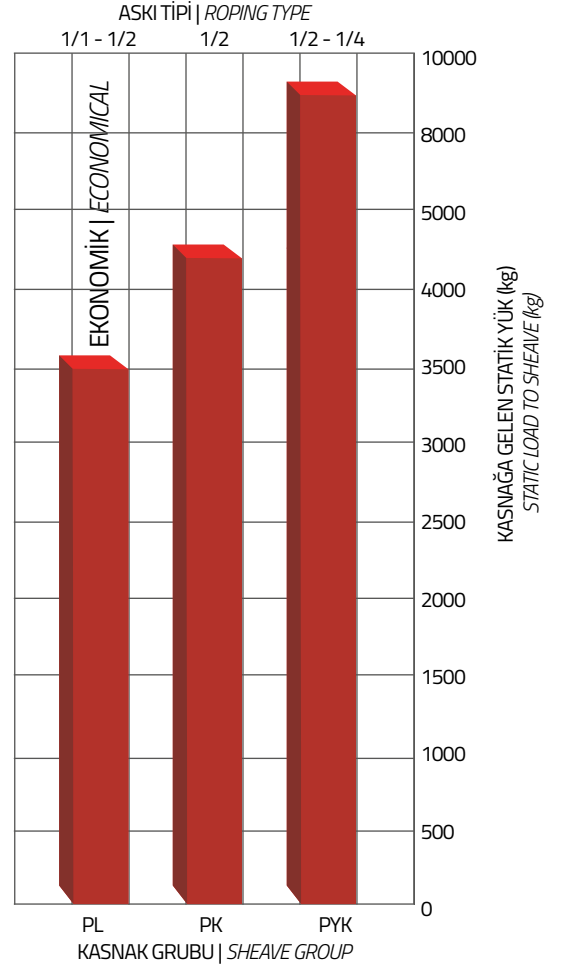


Ø120mm - Ø650mm Arası | *Between*

PYK SERİSİ
PYK SERIES

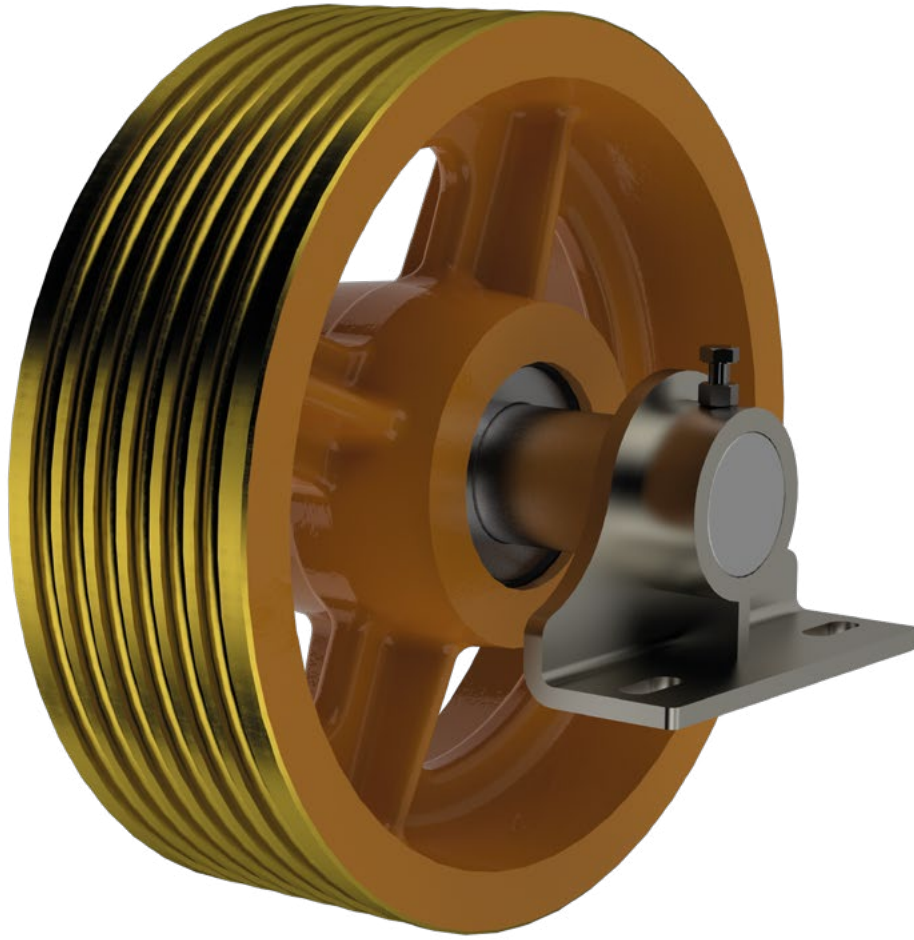


Ø240mm - Ø680mm Arası | *Between*



- 3 tip döküm gövdeli kasnak tercih edilebilmektedir.
3 type cast iron bodies can be preferred.
- Malzemesi, pik döküm GG25 – GG30 dir.
The material of cast iron pulleys is cast iron GG25 - GG30.
- İlerideki sayfalarda belirtildiği üzere, kasnak seçimi yapılırken kasnağa gelen yüke göre tercih yapılmalıdır.
As indicated in the following pages, the choice of the pulley should be made according to the type of rope type and the load capacity made on the pulley.
- Kasnağa gelen yük, aşağıdaki formülden kolayca hesaplanabilir.
 $(F=2xF_1 \sin(A/2))$ F1-halat yükü (kg), A-sarma açısı
The load on the pulley can be easily calculated from the following formula.
 $(F=2xF_1 \sin(A/2))$ F1-rope load (kg), A-winding angle
- Mil hesaplamaları, asansörün tasarım ofisi tarafından yapılmalıdır, bu hesaplamalarda milin boyu mümkün olduğunca kısa olmasına dikkat edilmelidir.
Axle calculations should be made by the design office of the elevator, in these calculations, the length of the axle should be as short as possible.
- Hazır mil ölçülerimizi katalogumuzda bulabilirsiniz. Sabit ve kayar tip millerimiz mevcuttur.
You can find our ready axle dimensions in our catalogue. We have fixed and sliding type axles.
- Rulmanlarımız yaklaşık 10.000 saat çalışma ömrüne göre hesap edilmiştir. Daha fazla çalışma saati istenirse, bu ayrıca belirtilmelidir.
Our bearings are calculated according to the working life of approximately 10,000 hours. If further working hours are requested, this must be specified separately.
- Montaj esnasında halatların sarm yönlerine (sağ sarm – sol sarm) eşit sayıda olması kasnakların ömrü ve halat sesinin azaltılması açısından önemlidir.
During the assembly, the ropes should be equal to the winding directions (right winding - left winding) and this is important for the life of the pulleys and the reduction of the rope noise.
- Kasnaklarımızda balans mevcuttur. 1.6 m/s ve üstü kabin hızlarında balans yapılması önemlidir.
Balance is available in our pulleys. Balancing at car speeds of 1.6 m/s and above is important.

Katalogumuzdan sayfa 32'den itibaren bulabilirsiniz
Please check page 32 from our catalogue



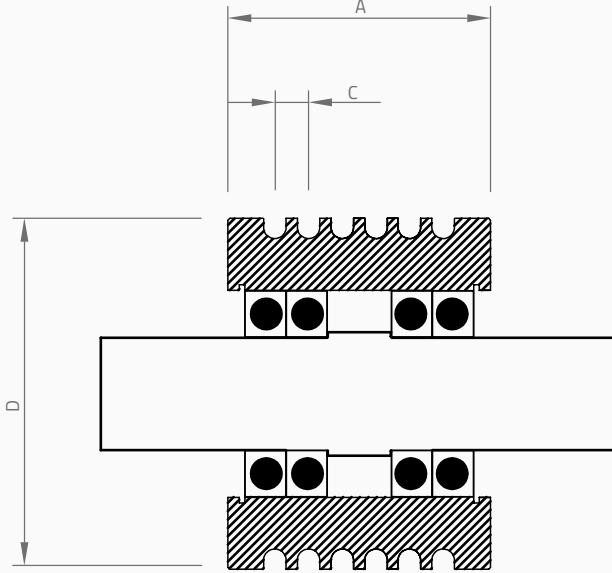
PK SERİSİ
PK SERIES

PALANGA KASNAKLARI
HEAVY DUTY DIVERTING SHEAVES

PK SERİSİ
PK SERIES

1:2 ASKI
1:2 ROPING

SABİT MİL
FIXED AXLE



Ø120 mm

MİL BOYU | AXLE LENGTH

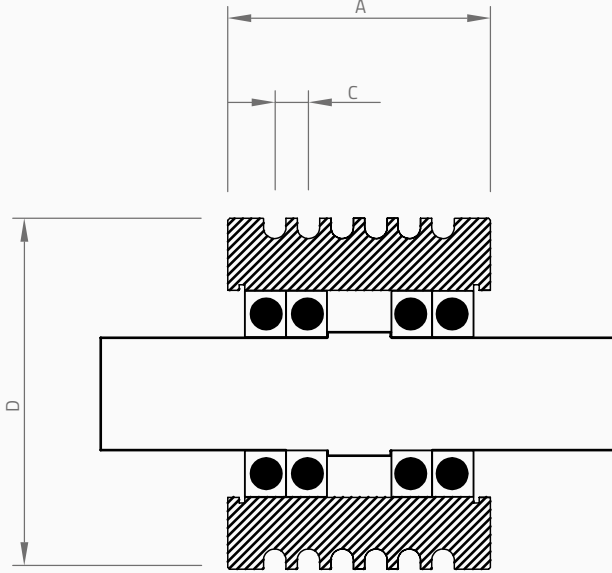
300 mm

KASNAK ÇAPI NOMINAL DIAMETER (Ø mm)	KANAL SAYISI NUMBER OF GROOVES	HALAT ÇAPI ROPE DIAMETER (Ø mm)	HALAT MERKEZİ DISTANCE BETWEEN ROPES (mm)	GENİŞLİK CROWN WIDTH (mm)	RULMAN BALL BEARING	MİL ÇAPI AXLE DIAME- TER (Ø mm)	STATİK YÜK STATIC LOAD (kg)	ÜRÜN KODU PRODUCT CODE	AĞIRLIK WEIGHT (INCLUDE PILLOW BLOCKS) (kg)
D			C	A					
120	4	6,5	11	145	4x6210 ZZ	50	1050	PK124-6,5	22
120	5	6,5	11	145	4x6210 ZZ	50	1050	PK125-6,5	22
120	6	6,5	11	145	4x6210 ZZ	50	1500	PK1296-6,5	22
120	7	6,5	11	145	4x6210 ZZ	50	1500	PK127-6,5	22
120	8	6,5	11	145	4x6210 ZZ	50	1800	PK128-6,5	22
120	9	6,5	11	145	4x6210 ZZ	50	2000	PK129-6,5	22
120	10	6,5	11	145	4x6210 ZZ	50	2100	PK1210-6,5	22
120	11	6,5	11	145	4x6210 ZZ	50	2300	PK1211-6,5	22

PK SERİSİ
PK SERIES

1:2 ASKI
1:2 ROPING

SABİT MİL
FIXED AXLE



Ø140 mm

MİL BOYU | AXLE LENGTH

300 mm

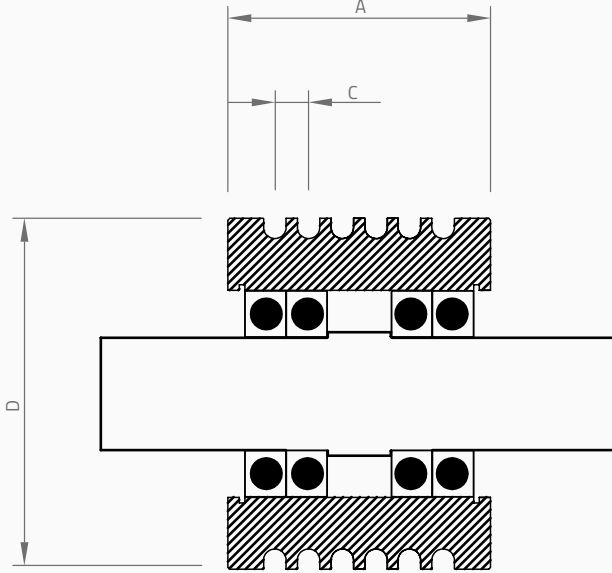
KASNAK ÇAP NOMINAL DIAMETER (Ø mm)	KANAL SAYISI NUMBER OF GROOVES	HALAT ÇAP ROPE DIAMETER (Ø mm)	HALAT MERKEZİ DISTANCE BETWEEN ROPES (mm)	GENİŞLİK CROWN WIDTH (mm)	RULMAN BALL BEARING	MİL ÇAP AXLE DIAME- TER (Ø mm)	STATİK YÜK STATIC LOAD (kg)	ÜRÜN KODU PRODUCT CODE	AĞIRLIK WEIGHT (INCLUDE PILLOW BLOCKS) (kg)
D			C	A					
140	4	6,5	11	110	4x6210 ZZ	50	1050	PK144-6,5	20
140	5	6,5	11	110	4x6210 ZZ	50	1050	PK145-6,5	20
140	6	6,5	11	110	4x6210 ZZ	50	1500	PK146-6,5	20
140	7	6,5	11	110	4x6210 ZZ	50	1500	PK147-6,5	20
140	8	6,5	11	110	4x6210 ZZ	50	1800	PK148-6,5	20

PK SERİSİ
PK SERIES

PK SERİSİ
PK SERIES

1:2 ASKI
1:2 ROPING

SABİT MİL
FIXED AXLE



Ø160 mm

MİL BOYU | AXLE LENGTH

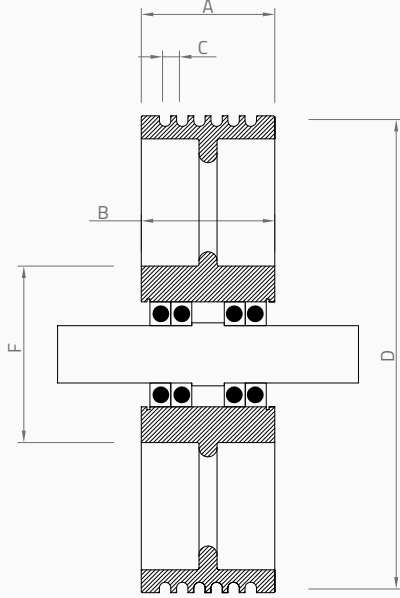
300 mm

KASNAK ÇAP NOMINAL DIAMETER (Ø mm)	KANAL SAYISI NUMBER OF GROOVES	HALAT ÇAP ROPE DIAMETER (Ø mm)	HALAT MERKEZİ DISTANCE BETWEEN ROPES (mm)	GENİŞLİK CROWN WIDTH (mm)	RULMAN BALL BEARING	MİL ÇAP AXLE DIAMETER (Ø mm)	STATİK YÜK STATIC LOAD (kg)	ÜRÜN KODU PRODUCT CODE	AĞIRLIK WEIGHT (INCLUDE PILLOW BLOCKS) (kg)
D			C	A					
160	4	6,5	11	105	4x6210 ZZ	50	1050	PK164-6,5	21
160	5	6,5	11	105	4x6210 ZZ	50	1050	PK165-6,5	21
160	6	6,5	11	105	4x6210 ZZ	50	1500	PK166-6,5	21
160	7	6,5	11	105	4x6210 ZZ	50	1500	PK167-6,5	21
160	8	6,5	11	105	4x6210 ZZ	50	1800	PK168-6,5	21

PK SERİSİ
PK SERIES

1:2 ASKI
1:2 ROPING

SABİT MİL
FIXED AXLE



Ø210 mm

MİL BOYU | AXLE LENGTH

300 mm

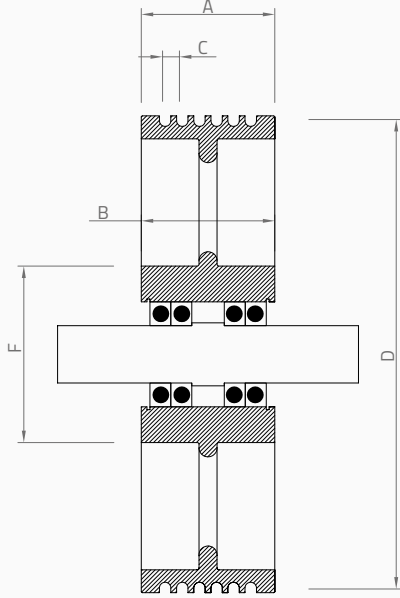
KASNAK ÇAPI NOMINAL DIAMETER (Ø mm)	KANAL SAYISI NUMBER OF GROOVES	HALAT ÇAPI ROPE DIAMETER (Ø mm)	HALAT MERKEZİ DISTANCE BETWEEN ROPES (mm)	GENİŞLİK CROWN WIDTH (mm)	GÖBEK GENİŞLİK HUB WIDTH (mm)	GÖBEK DIŞ ÇAP HUB OUTSIDE DIAMETER (Ø mm)	RULMAN BALL BEARING	MİL ÇAPI AXLE DIAMETER (Ø mm)	STATİK YÜK STATIC LOAD (kg)	ÜRÜN KODU PRODUCT CODE	AĞIRLIK WEIGHT (INCLUDE PILLOW BLOCKS) (kg)
D			C	A	B	E					
210	4	6,5	11	124	105	120	4x6210 ZZ	50	1050	PK214-6,5	22
210	5	6,5	11	124	105	120	4x6210 ZZ	50	1050	PK215-6,5	22
210	6	6,5	11	124	105	120	4x6210 ZZ	50	1500	PK216-6,5	22
210	7	6,5	11	124	105	120	4x6210 ZZ	50	2600	PK217-6,5	22
210	8	6,5	11	124	105	120	4x6210 ZZ	50	3000	PK218-6,5	22
210	4	8	13	124	105	120	4x6210 ZZ	50	1500	PK214-8	22
210	5	8	13	124	105	120	4x6210 ZZ	50	1850	PK215-8	22
210	6	8	13	124	105	120	4x6210 ZZ	50	2200	PK216-8	22
210	4	10	17	124	105	120	4x6210 ZZ	50	2300	PK214-10	22
210	5	10	17	124	105	120	4x6210 ZZ	50	2600	PK215-10	22

PK SERİSİ
PK SERIES

PK SERİSİ
PK SERIES

1:2 - 1:4 ASKI
1:2 - 1:4 ROPING

SABİT MİL
FIXED AXLE



Ø240 mm

MİL BOYU | AXLE LENGTH

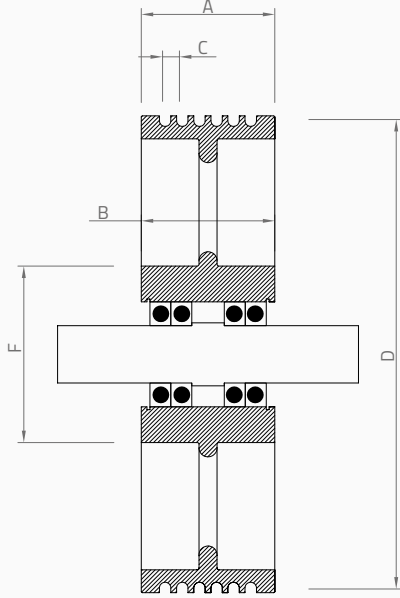
300 mm

KASNAK ÇAP NOMINAL DIAMETER (Ø mm)	KANAL SAYISI NUMBER OF GROOVES	HALAT ÇAP ROPE DIAMETER (Ø mm)	HALAT MERKEZİ DISTANCE BETWEEN ROPES (mm)	GENİSLİK CROWN WIDTH (mm)	GÖBEK GENİŞLİK HUB WIDTH (mm)	GÖBEK DIŞ ÇAP HUB OUTSIDE DIAMETER (Ø mm)	RULMAN BALL BEARING	MİL ÇAP AXLE DIAMETER (Ø mm)	STATİK YÜK STATIC LOAD (kg)	ÜRÜN KODU PRODUCT CODE	AĞIRLIK WEIGHT (INCLUDE PILLOW BLOCKS) (kg)
D			C	A	B	E					
240	4	6,5	11	105	104	140	4x6210 ZZ	50	1050	PK244-6,5	22
240	5	6,5	11	105	104	140	4x6210 ZZ	50	1050	PK245-6,5	22
240	6	6,5	11	105	104	140	4x6210 ZZ	50	1500	PK246-6,5	22
240	7	6,5	11	105	104	140	4x6210 ZZ	50	2600	PK247-6,5	22
240	8	6,5	11	105	104	140	4x6210 ZZ	50	3000	PK248-6,5	22
240	9	6,5	11	130	104	140	4x6210 ZZ	50	3350	PK249-6,5	24
240	10	6,5	11	130	104	140	4x6210 ZZ	50	3500	PK2410-6,5	24
240	11	6,5	11	150	104	140	4x6210 ZZ	50	3500	PK2411-6,5	25
240	12	6,5	11	150	104	140	4x6210 ZZ	50	3500	PK2412-6,5	25
240	13	6,5	11	192	104	140	4x6210 ZZ	50	3500	PK2413-6,5	25
240	14	6,5	11	192	104	140	4x6210 ZZ	50	3500	PK2414-6,5	25
240	15	6,5	11	192	104	140	4x6210 ZZ	50	3500	PK2415-6,5	25
240	16	6,5	11	192	104	140	4x6210 ZZ	50	3500	PK2416-6,5	25

PK SERİSİ
PK SERIES

1:2 - 1:4 ASKI
1:2 - 1:4 ROPING

SABİT MİL
FIXED AXLE



Ø240 mm

MİL BOYU | AXLE LENGTH

300 mm

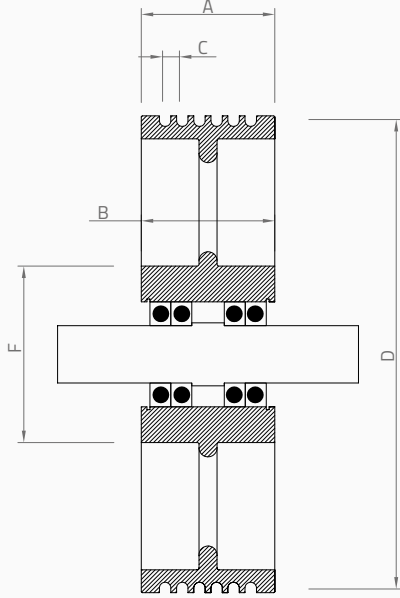
KASNAK ÇAP NOMINAL DIAMETER (Ø mm)	KANAL SAYISI NUMBER OF GROOVES	HALAT ÇAP ROPE DIAMETER (Ø mm)	HALAT MERKEZİ DISTANCE BETWEEN ROPES (mm)	GENİŞLİK CROWN WIDTH (mm)	GÖBEK GENİŞLİK HUB WIDTH (mm)	GÖBEK DIŞ ÇAP HUB OUTSIDE DIAMETER (Ø mm)	RULMAN BALL BEARING	MİL ÇAP AXLE DIAMETER (Ø mm)	STATİK YÜK STATIC LOAD (kg)	ÜRÜN KODU PRODUCT CODE	AĞIRLIK WEIGHT (INCLUDE PILLOW BLOCKS) (kg)
D			C	A	B	E					
240	4	8	13	105	104	140	4x6210 ZZ	50	1500	PK244-8	22
240	5	8	13	105	104	140	4x6210 ZZ	50	1850	PK245-8	22
240	6	8	13	105	104	140	4x6210 ZZ	50	2200	PK246-8	22
240	7	8	13	130	104	140	4x6210 ZZ	50	2600	PK247-8	24
240	8	8	13	130	104	140	4x6210 ZZ	50	3000	PK248-8	24
240	9	8	13	130	104	140	4x6210 ZZ	50	3350	PK249-8	24
240	10	8	13	130	104	140	4x6210 ZZ	50	3500	PK2410-8	24
240	11	8	13	192	104	140	4x6210 ZZ	50	3500	PK2411-8	25
240	12	8	13	192	104	140	4x6210 ZZ	50	3500	PK2412-8	25
240	13	8	13	192	104	140	4x6210 ZZ	50	3500	PK2413-8	25
240	4	10	17	105	104	140	4x6210 ZZ	50	2300	PK244-10	22
240	5	10	17	105	104	140	4x6210 ZZ	50	2600	PK245-10	22
240	6	10	17	130	104	140	4x6210 ZZ	50	3500	PK246-10	24
240	7	10	17	192	104	140	4x6210 ZZ	50	3500	PK247-10	25
240	8	10	17	192	104	140	4x6210 ZZ	50	3500	PK248-10	25
240	9	10	17	192	104	140	4x6210 ZZ	50	3500	PK249-10	25
240	10	10	17	192	104	140	4x6210 ZZ	50	3500	PK2410-10	25

PK SERİSİ
PK SERIES

PK SERİSİ
PK SERIES

1:2 - 1:4 ASKI
1:2 - 1:4 ROPING

SABİT MİL
FIXED AXLE



Ø280 mm

MİL BOYU | AXLE LENGTH

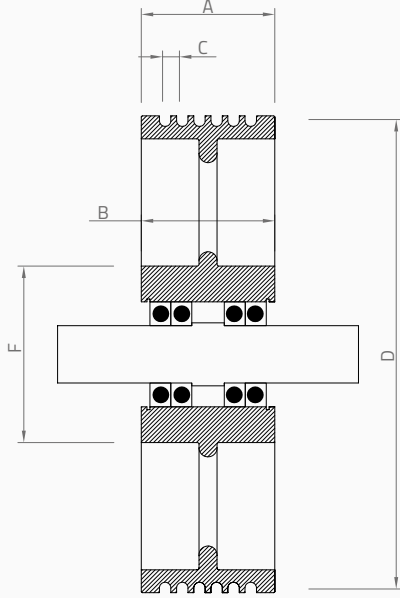
300 mm

KASNAK ÇAP NOMINAL DIAMETER (Ø mm)	KANAL SAYISI NUMBER OF GROOVES	HALAT ÇAP ROPE DIAMETER (Ø mm)	HALAT MERKEZİ DISTANCE BETWEEN ROPES (mm)	GENİSLİK CROWN WIDTH (mm)	GÖBEK GENİŞLİK HUB WIDTH (mm)	GÖBEK DIŞ ÇAP HUB OUTSIDE DIAMETER (Ø mm)	RULMAN BALL BEARING	MİL ÇAP AXLE DIAMETER (Ø mm)	STATİK YÜK STATIC LOAD (kg)	ÜRÜN KODU PRODUCT CODE	AĞIRLIK WEIGHT (INCLUDE PILLOW BLOCKS) (kg)
D			C	A	B	E					
280	4	6,5	11	125	104	140	4x6210 ZZ	50	1050	PK284-6,5	29
280	5	6,5	11	125	104	140	4x6210 ZZ	50	1050	PK285-6,5	29
280	6	6,5	11	125	104	140	4x6210 ZZ	50	1500	PK286-6,5	29
280	7	6,5	11	125	104	140	4x6210 ZZ	50	2600	PK287-6,5	29
280	8	6,5	11	125	104	140	4x6210 ZZ	50	3000	PK288-6,5	29
280	9	6,5	11	125	104	140	4x6210 ZZ	50	3350	PK289-6,5	29
280	10	6,5	11	125	104	140	4x6210 ZZ	50	3500	PK2810-6,5	29
280	4	8	13	125	104	140	4x6210 ZZ	50	1500	PK284-8	29
280	5	8	13	125	104	140	4x6210 ZZ	50	1850	PK285-8	29
280	6	8	13	125	104	140	4x6210 ZZ	50	2200	PK286-8	29
280	7	8	13	125	104	140	4x6210 ZZ	50	2600	PK287-8	29
280	8	8	13	125	104	140	4x6210 ZZ	50	3000	PK288-8	29
280	4	8	17	125	104	140	4x6210 ZZ	50	2300	PK286-10	29
280	5	8	17	125	104	140	4x6210 ZZ	50	2600	PK287-10	29
280	6	8	17	125	104	140	4x6210 ZZ	50	3500	PK288-10	29

PK SERİSİ
PK SERIES

1:2 - 1:4 ASKI
1:2 - 1:4 ROPING

SABİT MİL
FIXED AXLE



Ø300 mm

MİL BOYU | AXLE LENGTH

300 mm

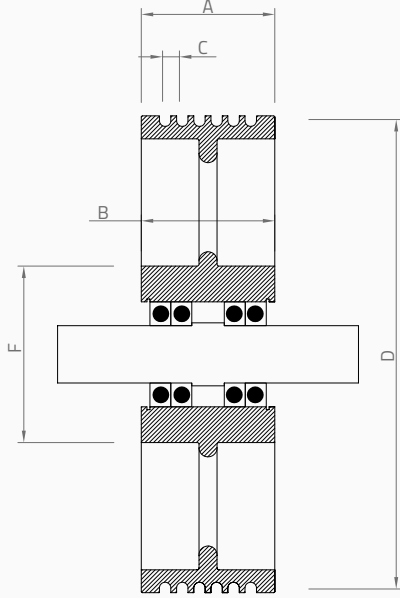
KASNAK ÇAP NOMINAL DIAMETER (Ø mm)	KANAL SAYISI NUMBER OF GROOVES	HALAT ÇAP ROPE DIAMETER (Ø mm)	HALAT MERKEZİ DISTANCE BETWEEN ROPES (mm)	GENİŞLİK CROWN WIDTH (mm)	GÖBEK GENİŞLİK HUB WIDTH (mm)	GÖBEK DIŞ ÇAP HUB OUTSIDE DIAMETER (Ø mm)	RULMAN BALL BEARING	MİL ÇAP AXLE DIAMETER (Ø mm)	STATİK YÜK STATIC LOAD (kg)	ÜRÜN KODU PRODUCT CODE	AĞIRLIK WEIGHT (INCLUDE PILLOW BLOCKS) (kg)
D			C	A	B	E					
300	4	6,5	11	80	104	140	4x6210 ZZ	50	1500	PK304-6,5	32
300	5	6,5	11	80	104	140	4x6210 ZZ	50	1850	PK305-6,5	32
300	6	6,5	11	104	104	140	4x6210 ZZ	50	2200	PK306-6,5	35
300	7	6,5	11	104	104	140	4x6210 ZZ	50	2600	PK307-6,5	35
300	8	6,5	11	104	104	140	4x6210 ZZ	50	3000	PK308-6,5	35
300	9	6,5	11	118	104	140	4x6210 ZZ	50	3350	PK309-6,5	38
300	10	6,5	11	148	104	140	4x6210 ZZ	50	3500	PK3010-6,5	48
300	11	6,5	11	148	104	140	4x6210 ZZ	50	3500	PK3011-6,5	48
300	12	6,5	11	148	104	140	4x6210 ZZ	50	3500	PK3012-6,5	48
300	4	8	13	80	80	140	4x6210 ZZ	50	1500	PK304-8	32
300	5	8	13	80	80	140	4x6210 ZZ	50	1850	PK305-8	32
300	6	8	13	104	104	140	4x6210 ZZ	50	2200	PK306-8	35
300	7	8	13	118	118	140	4x6210 ZZ	50	2600	PK307-8	38
300	8	8	13	148	148	140	4x6210 ZZ	50	3000	PK308-8	48
300	9	8	13	148	148	140	4x6210 ZZ	50	3350	PK309-8	48
300	10	8	13	148	148	140	4x6210 ZZ	50	3500	PK3010-8	48
300	4	10	17	104	104	140	4x6210 ZZ	50	2300	PK304-10	35
300	5	10	17	104	104	140	4x6210 ZZ	50	2600	PK305-10	35
300	6	10	17	118	118	140	4x6210 ZZ	50	3500	PK306-10	38
300	7	10	17	148	148	140	4x6210 ZZ	50	3500	PK307-10	48

PK SERİSİ
PK SERIES

PK SERİSİ
PK SERIES

1:2 - 1:4 ASKI
1:2 - 1:4 ROPING

SABİT MİL
FIXED AXLE



Ø320 mm

MİL BOYU | AXLE LENGTH

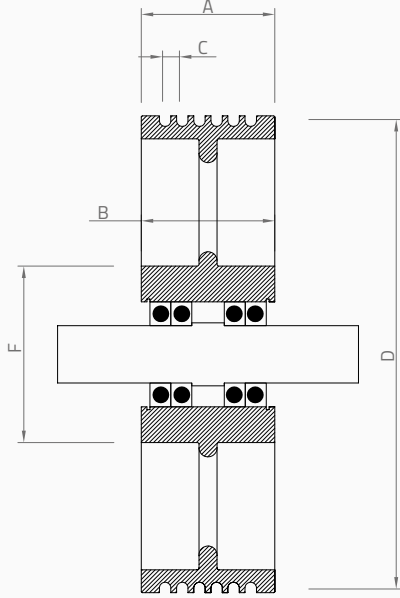
300 mm

KASNAK ÇAP NOMINAL DIAMETER (Ø mm)	KANAL SAYISI NUMBER OF GROOVES	HALAT ÇAP ROPE DIAMETER (Ø mm)	HALAT MERKEZİ DISTANCE BETWEEN ROPES (mm)	GENİSLİK CROWN WIDTH (mm)	GÖBEK GENİSLİK HUB WIDTH (mm)	GÖBEK DIŞ ÇAP HUB OUTSIDE DIAMETER (Ø mm)	RULMAN BALL BEARING	MİL ÇAP AXLE DIAMETER (Ø mm)	STATİK YÜK STATIC LOAD (kg)	ÜRÜN KODU PRODUCT CODE	AĞIRLIK WEIGHT (INCLUDE PILLOW BLOCKS) (kg)
D			C	A	B	E					
320	4	6,5	11	104	104	140	4x6210 ZZ	50	1050	PK324-6,5	40
320	5	6,5	11	104	104	140	4x6210 ZZ	50	1050	PK325-6,5	40
320	6	6,5	11	104	104	140	4x6210 ZZ	50	1500	PK326-6,5	40
320	7	6,5	11	104	104	140	4x6210 ZZ	50	2600	PK327-6,5	40
320	8	6,5	11	104	104	140	4x6210 ZZ	50	3000	PK328-6,5	40
320	9	6,5	11	118	104	140	4x6210 ZZ	50	3350	PK329-6,5	45
320	10	6,5	11	148	104	140	4x6210 ZZ	50	3500	PK3210-6,5	47
320	11	6,5	11	148	104	140	4x6210 ZZ	50	3500	PK3211-6,5	47
320	12	6,5	11	148	104	140	4x6210 ZZ	50	3500	PK3212-6,5	47
320	13	6,5	11	187	104	140	4x6210 ZZ	50	3500	PK3213-6,5	57
320	14	6,5	11	187	104	140	4x6210 ZZ	50	3500	PK3214-6,5	57
320	15	6,5	11	187	104	140	4x6210 ZZ	50	3500	PK3215-6,5	57
320	16	6,5	11	187	104	140	4x6210 ZZ	50	3500	PK3216-6,5	57

PK SERİSİ
PK SERIES

1:2 - 1:4 ASKI
1:2 - 1:4 ROPING

SABİT MİL
FIXED AXLE



Ø320 mm

MİL BOYU | AXLE LENGTH

300 mm

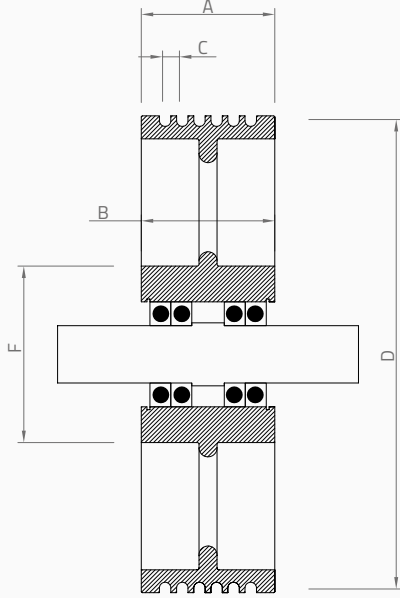
KASNAK ÇAP NOMINAL DIAMETER (Ø mm)	KANAL SAYISI NUMBER OF GROOVES	HALAT ÇAP ROPE DIAMETER (Ø mm)	HALAT MERKEZİ DISTANCE BETWEEN ROPES (mm)	GENİŞLİK CROWN WIDTH (mm)	GÖBEK GENİŞLİK HUB WIDTH (mm)	GÖBEK DIŞ ÇAP HUB OUTSIDE DIAMETER (Ø mm)	RULMAN BALL BEARING	MİL ÇAP AXLE DIAMETER (Ø mm)	STATİK YÜK STATIC LOAD (kg)	ÜRÜN KODU PRODUCT CODE	AĞIRLIK WEIGHT (INCLUDE PILLOW BLOCKS) (kg)
D			C	A	B	E					
320	4	8	13	104	104	140	4x6210 ZZ	50	1500	PK324-8	40
320	5	8	13	104	104	140	4x6210 ZZ	50	1850	PK325-8	40
320	6	8	13	104	104	140	4x6210 ZZ	50	2200	PK326-8	40
320	7	8	13	118	104	140	4x6210 ZZ	50	2600	PK327-8	45
320	8	8	13	148	104	140	4x6210 ZZ	50	3000	PK328-8	47
320	9	8	13	148	104	140	4x6210 ZZ	50	3350	PK329-8	47
320	10	8	13	148	104	140	4x6210 ZZ	50	3500	PK3210-8	47
320	11	8	13	187	104	140	4x6210 ZZ	50	3500	PK3211-8	57
320	12	8	13	187	104	140	4x6210 ZZ	50	3500	PK3212-8	57
320	13	8	13	187	104	140	4x6210 ZZ	50	3500	PK3213-8	57
320	4	10	17	104	104	140	4x6210 ZZ	50	2300	PK324-10	40
320	5	10	17	104	104	140	4x6210 ZZ	50	2600	PK325-10	40
320	6	10	17	118	104	140	4x6210 ZZ	50	3500	PK326-10	45
320	7	10	17	148	104	140	4x6210 ZZ	50	3500	PK327-10	47
320	8	10	17	187	104	140	4x6210 ZZ	50	3500	PK328-10	57
320	9	10	17	187	104	140	4x6210 ZZ	50	3500	PK329-10	57
320	10	10	17	187	104	140	4x6210 ZZ	50	3500	PK3210-10	57

PK SERİSİ
PK SERIES

PK SERİSİ
PK SERIES

1:2 - 1:4 ASKI
1:2 - 1:4 ROPING

SABİT MİL
FIXED AXLE



Ø360 mm

MİL BOYU | AXLE LENGTH

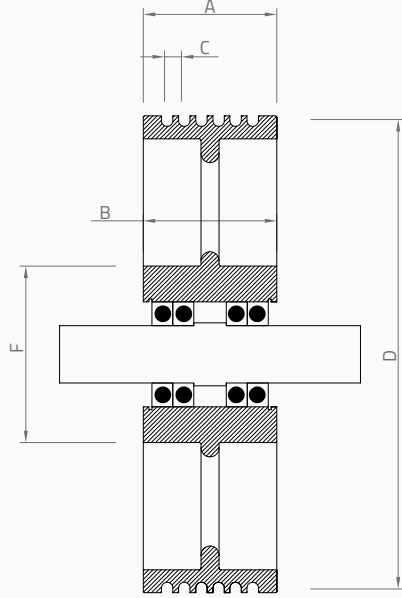
300 mm

KASNAK ÇAP NOMINAL DIAMETER (Ø mm)	KANAL SAYISI NUMBER OF GROOVES	HALAT ÇAP ROPE DIAMETER (Ø mm)	HALAT MERKEZİ DISTANCE BETWEEN ROPES (mm)	GENİSLİK CROWN WIDTH (mm)	GÖBEK GENİŞLİK HUB WIDTH (mm)	GÖBEK DIŞ ÇAP HUB OUTSIDE DIAMETER (Ø mm)	RULMAN BALL BEARING	MİL ÇAP AXLE DIAMETER (Ø mm)	STATİK YÜK STATIC LOAD (kg)	ÜRÜN KODU PRODUCT CODE	AĞIRLIK WEIGHT (INCLUDE PILLOW BLOCKS) (kg)
D			C	A	B	E					
360	4	6,5	11	90	90	140	4x6210 ZZ	50	1050	PK364-6,5	38
360	5	6,5	11	90	90	140	4x6210 ZZ	50	1050	PK365-6,5	38
360	6	6,5	11	104	104	140	4x6210 ZZ	50	1500	PK366-6,5	42
360	7	6,5	11	104	104	140	4x6210 ZZ	50	2600	PK367-6,5	40
360	8	6,5	11	104	104	140	4x6210 ZZ	50	3000	PK368-6,5	40
360	9	6,5	11	120	120	140	4x6210 ZZ	50	3350	PK369-6,5	45
360	10	6,5	11	150	150	140	4x6210 ZZ	50	3500	PK3610-6,5	47
360	11	6,5	11	150	150	140	4x6210 ZZ	50	3500	PK3611-6,5	47
360	12	6,5	11	150	150	140	4x6210 ZZ	50	3500	PK3612-6,5	47
360	4	8	13	90	90	140	4x6210 ZZ	50	1500	PK364-8	38
360	5	8	13	90	90	140	4x6210 ZZ	50	1850	PK365-8	38
360	6	8	13	104	104	140	4x6210 ZZ	50	2200	PK366-8	42
360	7	8	13	120	120	140	4x6210 ZZ	50	2600	PK367-8	46
360	8	8	13	150	150	140	4x6210 ZZ	50	3000	PK368-8	54
360	9	8	13	150	150	140	4x6210 ZZ	50	3350	PK369-8	54
360	10	8	13	150	150	140	4x6210 ZZ	50	3500	PK3610-8	54
360	4	10	17	104	104	140	4x6210 ZZ	50	2300	PK364-10	38
360	5	10	17	104	104	140	4x6210 ZZ	50	2600	PK365-10	38
360	6	10	17	120	120	140	4x6210 ZZ	50	3500	PK366-10	46
360	7	10	17	150	150	140	4x6210 ZZ	50	3500	PK367-10	54

PK SERİSİ
PK SERIES

1:2 - 1:4 ASKI
1:2 - 1:4 ROPING

SABİT MİL
FIXED AXLE



Ø400 mm

MİL BOYU | AXLE LENGTH

300 mm

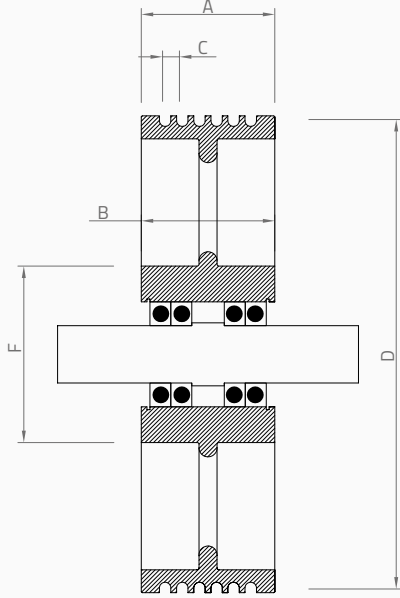
KASNAK ÇAP NOMINAL DIAMETER (Ø mm)	KANAL SAYISI NUMBER OF GROOVES	HALAT ÇAP ROPE DIAMETER (Ø mm)	HALAT MERKEZİ DISTANCE BETWEEN ROPES (mm)	GENİŞLİK CROWN WIDTH (mm)	GÖBEK GENİŞLİK HUB WIDTH (mm)	GÖBEK DIŞ ÇAP HUB OUTSIDE DIAMETER (Ø mm)	RULMAN BALL BEARING	MİL ÇAP AXLE DIAMETER (Ø mm)	STATİK YÜK STATIC LOAD (kg)	ÜRÜN KODU PRODUCT CODE	AĞIRLIK WEIGHT (INCLUDE PILLOW BLOCKS) (kg)
D			C	A	B	E					
400	4	6,5	11	104	104	140	4x6210 ZZ	50	1050	PK404-6,5	45
400	5	6,5	11	104	104	140	4x6210 ZZ	50	1050	PK405-6,5	45
400	6	6,5	11	104	104	140	4x6210 ZZ	50	1500	PK406-6,5	45
400	7	6,5	11	104	104	140	4x6210 ZZ	50	2600	PK407-6,5	45
400	8	6,5	11	104	104	140	4x6210 ZZ	50	3000	PK408-6,5	45
400	9	6,5	11	113	104	140	4x6210 ZZ	50	3350	PK409-6,5	45
400	10	6,5	11	139	104	140	4x6210 ZZ	50	3500	PK4010-6,5	51
400	11	6,5	11	139	104	140	4x6210 ZZ	50	3500	PK4011-6,5	51
400	12	6,5	11	159	104	140	4x6210 ZZ	50	3500	PK4012-6,5	61
400	13	6,5	11	159	104	140	4x6210 ZZ	50	3500	PK4013-6,5	61
400	14	6,5	11	187	104	140	4x6210 ZZ	50	3500	PK4014-6,5	70
400	15	6,5	11	187	104	140	4x6210 ZZ	50	3500	PK4015-6,5	70
400	16	6,5	10,5	187	104	140	4x6210 ZZ	50	3500	PK4016-6,5	70
400	4	8	13	104	104	140	4x6210 ZZ	50	1500	PK404-8	45
400	5	8	13	104	104	140	4x6210 ZZ	50	1850	PK405-8	45
400	6	8	13	104	104	140	4x6210 ZZ	50	2200	PK406-8	45
400	7	8	13	113	104	140	4x6210 ZZ	50	2600	PK407-8	45
400	8	8	13	113	104	140	4x6210 ZZ	50	3000	PK408-8	51
400	9	8	13	113	104	140	4x6210 ZZ	50	3350	PK409-8	51
400	10	8	13	139	104	140	4x6210 ZZ	50	3500	PK4010-8	61
400	11	8	13	159	104	140	4x6210 ZZ	50	3500	PK4011-8	61
400	12	8	13	187	104	140	4x6210 ZZ	50	3500	PK4012-8	70
400	13	8	13	187	104	140	4x6210 ZZ	50	3500	PK4013-8	70

PK SERİSİ
PK SERIES

PK SERİSİ
PK SERIES

1:2 - 1:4 ASKI
1:2 - 1:4 ROPING

SABİT MİL
FIXED AXLE



Ø400 mm

MİL BOYU | AXLE LENGTH

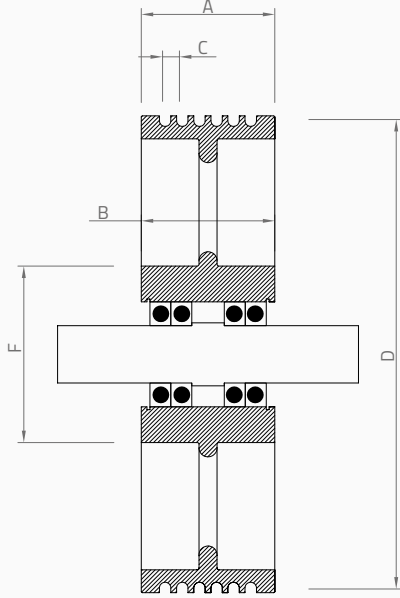
300 mm

KASNAK ÇAP NOMINAL DIAMETER (Ø mm)	KANAL SAYISI NUMBER OF GROOVES	HALAT ÇAP ROPE DIAMETER (Ø mm)	HALAT MERKEZİ DISTANCE BETWEEN ROPES (mm)	GENİSLİK CROWN WIDTH (mm)	GÖBEK GENİSLİK HUB WIDTH (mm)	GÖBEK DIŞ ÇAP HUB OUTSIDE DIAMETER (Ø mm)	RULMAN BALL BEARING	MİL ÇAP AXLE DIAMETER (Ø mm)	STATİK YÜK STATIC LOAD (kg)	ÜRÜN KODU PRODUCT CODE	AĞIRLIK WEIGHT (INCLUDE PILLOW BLOCKS) (kg)
D			C	A	B	E					
400	4	10	17	104	104	140	4x6210 ZZ	50	2300	PK404-10	45
400	5	10	17	104	104	140	4x6210 ZZ	50	2600	PK405-10	45
400	6	10	17	104	104	140	4x6210 ZZ	50	3500	PK406-10	45
400	7	10	17	104	104	140	4x6210 ZZ	50	3500	PK407-10	51
400	8	10	17	104	104	140	4x6210 ZZ	50	3500	PK408-10	61
400	9	10	17	113	104	140	4x6210 ZZ	50	3500	PK409-10	70
400	10	10	17	139	104	140	4x6210 ZZ	50	3500	PK4010-10	70
400	4	12	19	104	104	140	4x6210 ZZ	50	3500	PK404-12	45
400	5	12	19	113	104	140	4x6210 ZZ	50	3500	PK405-12	45
400	6	12	19	139	104	140	4x6210 ZZ	50	3500	PK406-12	51
400	7	12	19	159	104	140	4x6210 ZZ	50	3500	PK407-12	61
400	8	12	19	187	104	140	4x6210 ZZ	50	3500	PK408-12	70
400	9	12	19	187	104	140	4x6210 ZZ	50	3500	PK409-12	70

PK SERİSİ
PK SERIES

1:2 - 1:4 ASKI
1:2 - 1:4 ROPING

SABİT MİL
FIXED AXLE



Ø450 mm

MİL BOYU | AXLE LENGTH

300 mm

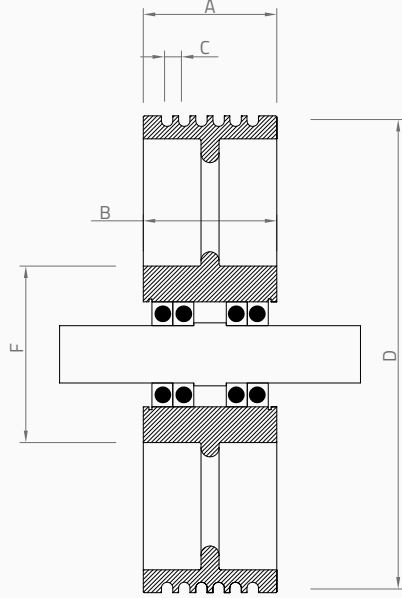
KASNAK ÇAP NOMINAL DIAMETER (Ø mm)	KANAL SAYISI NUMBER OF GROOVES	HALAT ÇAP ROPE DIAMETER (Ø mm)	HALAT MERKEZİ DISTANCE BETWEEN ROPES (mm)	GENİŞLİK CROWN WIDTH (mm)	GÖBEK GENİŞLİK HUB WIDTH (mm)	GÖBEK DIŞ ÇAP HUB OUTSIDE DIAMETER (Ø mm)	RULMAN BALL BEARING	MİL ÇAP AXLE DIAMETER (Ø mm)	STATİK YÜK STATIC LOAD (kg)	ÜRÜN KODU PRODUCT CODE	AĞIRLIK WEIGHT (INCLUDE PILLOW BLOCKS, kg)
D			C	A	B	E					
450	4	6,5	11	110	108	140	4x6210 ZZ	50	1050	PK454-6,5	61
450	5	6,5	11	110	108	140	4x6210 ZZ	50	1050	PK455-6,5	61
450	6	6,5	11	110	108	140	4x6210 ZZ	50	1500	PK456-6,5	61
450	7	6,5	11	110	108	140	4x6210 ZZ	50	2600	PK457-6,5	61
450	8	6,5	11	110	108	140	4x6210 ZZ	50	3000	PK458-6,5	61
450	9	6,5	11	125	124	140	4x6210 ZZ	50	3350	PK459-6,5	62
450	10	6,5	11	148	124	140	4x6210 ZZ	50	3500	PK4510-6,5	72
450	11	6,5	11	148	124	140	4x6210 ZZ	50	3500	PK4511-6,5	72
450	12	6,5	11	148	124	140	4x6210 ZZ	50	3500	PK4512-6,5	72
450	13	6,5	11	178	124	140	4x6210 ZZ	50	3500	PK4513-6,5	81
450	14	6,5	11	178	124	140	4x6210 ZZ	50	3500	PK4514-6,5	81
450	4	8	13	110	180	140	4x6210 ZZ	50	1500	PK454-8	61
450	5	8	13	110	180	140	4x6210 ZZ	50	1850	PK455-8	61
450	6	8	13	110	124	140	4x6210 ZZ	50	2200	PK456-8	61
450	7	8	13	110	124	140	4x6210 ZZ	50	2600	PK457-8	61
450	8	8	13	125	124	140	4x6210 ZZ	50	3000	PK458-8	62
450	9	8	13	148	124	140	4x6210 ZZ	50	3350	PK459-8	72
450	10	8	13	148	124	140	4x6210 ZZ	50	3500	PK4510-8	72
450	11	8	13	178	124	140	4x6210 ZZ	50	3500	PK4511-8	81
450	12	8	13	178	124	140	4x6210 ZZ	50	3500	PK4512-8	81

PK SERİSİ
PK SERIES

PK SERİSİ
PK SERIES

1:2 - 1:4 ASKI
1:2 - 1:4 ROPING

SABİT MİL
FIXED AXLE



Ø450 mm

MİL BOYU | AXLE LENGTH

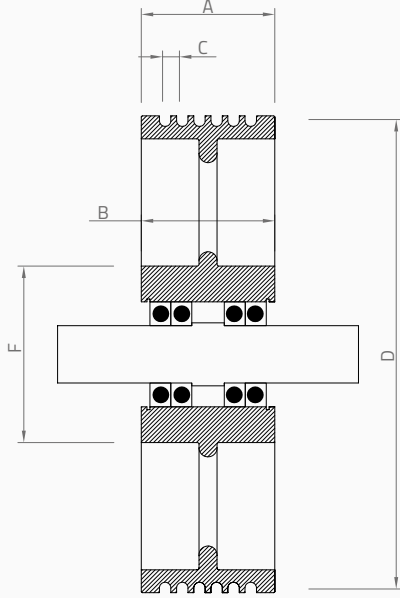
300 mm

KASNAK ÇAP NOMINAL DIAMETER (Ø mm)	KANAL SAYISI NUMBER OF GROOVES	HALAT ÇAP ROPE DIAMETER (Ø mm)	HALAT MERKEZİ DISTANCE BETWEEN ROPES (mm)	GENİSLİK CROWN WIDTH (mm)	GÖBEK GENİSLİK HUB WIDTH (mm)	GÖBEK DIŞ ÇAP HUB OUTSIDE DIAMETER (Ø mm)	RULMAN BALL BEARING	MİL ÇAP AXLE DIAMETER (Ø mm)	STATİK YÜK STATIC LOAD (kg)	ÜRÜN KODU PRODUCT CODE	AĞIRLIK WEIGHT (INCLUDE PILLOW BLOCKS) (kg)
D			C	A	B	E					
450	4	10	17	110	180	140	4x6210 ZZ	50	2300	PK454-10	45
450	5	10	17	110	180	140	4x6210 ZZ	50	2600	PK455-10	61
450	6	10	17	125	124	140	4x6210 ZZ	50	3500	PK456-10	62
450	7	10	17	148	124	140	4x6210 ZZ	50	3500	PK457-10	72
450	8	10	17	178	124	140	4x6210 ZZ	50	3500	PK458-10	81
450	9	10	17	178	124	140	4x6210 ZZ	50	3500	PK459-10	81
450	10	10	17	178	124	140	4x6210 ZZ	50	3500	PK4510-10	81
450	4	12	19	110	108	140	4x6210 ZZ	50	3500	PK454-12	61
450	5	12	19	125	124	140	4x6210 ZZ	50	3500	PK455-12	62
450	6	12	19	148	124	140	4x6210 ZZ	50	3500	PK456-12	72
450	7	12	19	178	124	140	4x6210 ZZ	50	3500	PK457-12	81
450	8	12	19	178	124	140	4x6210 ZZ	50	3500	PK458-12	81
450	9	12	19	178	124	140	4x6210 ZZ	50	3500	PK459-12	81

PK SERİSİ
PK SERIES

1:2 - 1:4 ASKI
1:2 - 1:4 ROPING

SABİT MİL
FIXED AXLE



Ø480 mm

MİL BOYU | AXLE LENGTH

300 mm

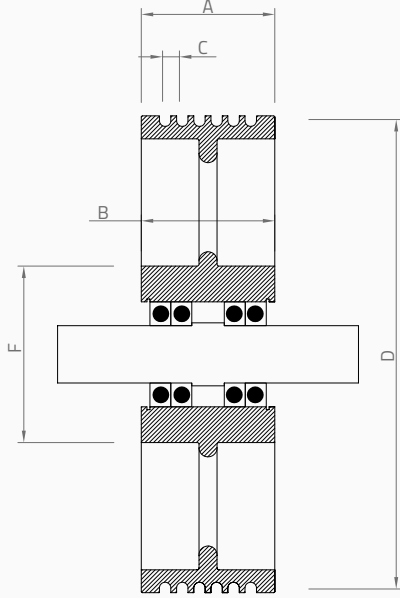
KASNAK ÇAP NOMINAL DIAMETER (Ø mm)	KANAL SAYISI NUMBER OF GROOVES	HALAT ÇAP ROPE DIAMETER (Ø mm)	HALAT MERKEZİ DISTANCE BETWEEN ROPES (mm)	GENİŞLİK CROWN WIDTH (mm)	GÖBEK GENİŞLİK HUB WIDTH (mm)	GÖBEK DIŞ ÇAP HUB OUTSIDE DIAMETER (Ø mm)	RULMAN BALL BEARING	MİL ÇAP AXLE DIAMETER (Ø mm)	STATİK YÜK STATIC LOAD (kg)	ÜRÜN KODU PRODUCT CODE	AĞIRLIK WEIGHT (INCLUDE PILLOW BLOCKS) (kg)
D			C	A	B	E					
480	4	6,5	11	108	108	140	4x6211 ZZ	55	1050	PK484-6,5	70
480	5	6,5	11	108	108	140	4x6211 ZZ	55	1050	PK485-6,5	70
480	6	6,5	11	108	108	140	4x6211 ZZ	55	1500	PK486-6,5	70
480	7	6,5	11	108	108	140	4x6211 ZZ	55	2600	PK487-6,5	70
480	8	6,5	11	108	108	140	4x6211 ZZ	55	3000	PK488-6,5	70
480	9	6,5	11	140	108	140	4x6211 ZZ	55	3350	PK489-6,5	80
480	10	6,5	11	140	108	140	4x6211 ZZ	55	3800	PK4810-6,5	80
480	11	6,5	11	140	108	140	4x6211 ZZ	55	3800	PK4811-6,5	80
480	12	6,5	11	155	108	140	4x6211 ZZ	55	3800	PK4812-6,5	85
480	13	6,5	11	177	108	140	4x6211 ZZ	55	3800	PK4813-6,5	89
480	14	6,5	11	177	108	140	4x6211 ZZ	55	3800	PK4814-6,5	89
480	4	8	13	108	108	140	4x6211 ZZ	55	1500	PK484-8	70
480	5	8	13	108	108	140	4x6211 ZZ	55	1850	PK485-8	70
480	6	8	13	108	108	140	4x6211 ZZ	55	2200	PK486-8	70
480	7	8	13	108	108	140	4x6211 ZZ	55	2600	PK487-8	70
480	8	8	13	140	108	140	4x6211 ZZ	55	3000	PK488-8	75
480	9	8	13	140	108	140	4x6211 ZZ	55	3350	PK489-8	75
480	10	8	13	155	108	140	4x6211 ZZ	55	3800	PK4810-8	80
480	11	8	13	177	108	140	4x6211 ZZ	55	3800	PK4811-8	89
480	12	8	13	177	108	140	4x6211 ZZ	55	3800	PK4812-8	89

PK SERİSİ
PK SERIES

PK SERİSİ
PK SERIES

1:2 - 1:4 ASKI
1:2 - 1:4 ROPING

SABİT MİL
FIXED AXLE



Ø480 mm

MİL BOYU | AXLE LENGTH

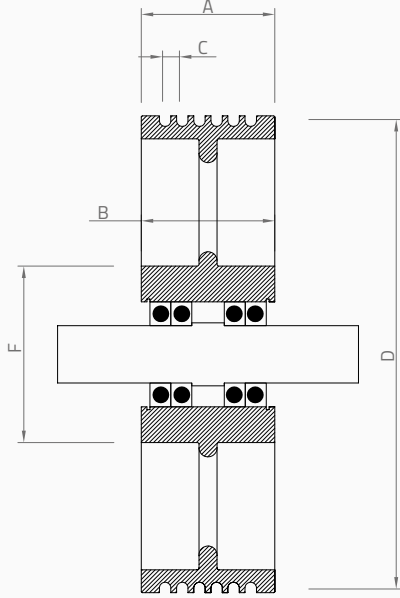
300 mm

KASNAK ÇAP NOMINAL DIAMETER (Ø mm)	KANAL SAYISI NUMBER OF GROOVES	HALAT ÇAP ROPE DIAMETER (Ø mm)	HALAT MERKEZİ DISTANCE BETWEEN ROPES (mm)	GENİSLİK CROWN WIDTH (mm)	GÖBEK GENİSLİK HUB WIDTH (mm)	GÖBEK DIŞ ÇAP HUB OUTSIDE DIAMETER (Ø mm)	RULMAN BALL BEARING	MİL ÇAP AXLE DIAMETER (Ø mm)	STATİK YÜK STATIC LOAD (kg)	ÜRÜN KODU PRODUCT CODE	AĞIRLIK WEIGHT (INCLUDE PILLOW BLOCKS) (kg)
D			C	A	B	E					
480	4	10	17	108	108	140	4x6211 ZZ	55	2300	PK484-10	70
480	5	10	17	108	108	140	4x6211 ZZ	55	2600	PK485-10	70
480	6	10	17	140	108	140	4x6211 ZZ	55	3800	PK486-10	75
480	7	10	17	140	108	140	4x6211 ZZ	55	3800	PK487-10	75
480	8	10	17	155	108	140	4x6211 ZZ	55	3800	PK488-10	80
480	9	10	17	177	108	140	4x6211 ZZ	55	3800	PK489-10	89
480	4	12	19	108	108	140	4x6211 ZZ	55	3800	PK484-12	70
480	5	12	19	140	108	140	4x6211 ZZ	55	3800	PK485-12	75
480	6	12	19	145	108	140	4x6211 ZZ	55	3800	PK486-12	75
480	7	12	19	155	108	140	4x6211 ZZ	55	3800	PK487-12	80
480	8	12	19	177	108	140	4x6211 ZZ	55	3800	PK488-12	89

PK SERİSİ
PK SERIES

1:2 - 1:4 ASKI
1:2 - 1:4 ROPING

SABİT MİL
FIXED AXLE



Ø500 mm

MİL BOYU | AXLE LENGTH

300 mm

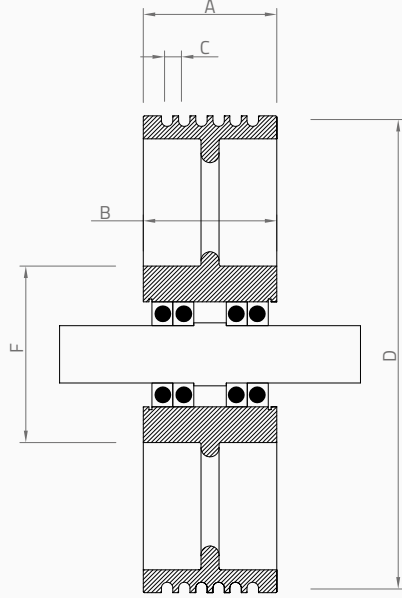
KASNAK ÇAP NOMINAL DIAMETER (Ø mm)	KANAL SAYISI NUMBER OF GROOVES	HALAT ÇAP ROPE DIAMETER (Ø mm)	HALAT MERKEZİ DISTANCE BETWEEN ROPES (mm)	GENİŞLİK CROWN WIDTH (mm)	GÖBEK GENİŞLİK HUB WIDTH (mm)	GÖBEK DIŞ ÇAP HUB OUTSIDE DIAMETER (Ø mm)	RULMAN BALL BEARING	MİL ÇAP AXLE DIAMETER (Ø mm)	STATİK YÜK STATIC LOAD (kg)	ÜRÜN KODU PRODUCT CODE	AĞIRLIK WEIGHT (INCLUDE PILLOW BLOCKS) (kg)
D			C	A	B	E					
500	4	8	13	104	104	140	4x6211 ZZ	55	1500	PK504-8	63
500	5	8	13	104	104	140	4x6211 ZZ	55	1850	PK505-8	63
500	6	8	13	104	104	140	4x6211 ZZ	55	2200	PK506-8	63
500	7	8	13	122	104	140	4x6211 ZZ	55	2600	PK507-8	68
500	8	8	13	122	104	140	4x6211 ZZ	55	3000	PK508-8	68
500	9	8	13	140	104	140	4x6211 ZZ	55	3350	PK509-8	70
500	10	8	13	155	104	140	4x6211 ZZ	55	3800	PK510-8	72
500	4	10	17	104	104	140	4x6211 ZZ	55	2300	PK504-10	63
500	5	10	17	104	104	140	4x6211 ZZ	55	2600	PK505-10	63
500	6	10	17	122	104	140	4x6211 ZZ	55	3800	PK506-10	68
500	7	10	17	140	104	140	4x6211 ZZ	55	3800	PK507-10	70
500	8	10	17	155	104	140	4x6211 ZZ	55	3800	PK508-10	72
500	4	12	19	104	104	140	4x6211 ZZ	55	3800	PK504-12	63
500	5	12	19	122	104	140	4x6211 ZZ	55	3800	PK505-12	68
500	6	12	19	140	104	140	4x6211 ZZ	55	3800	PK506-12	70
500	7	12	19	155	104	140	4x6211 ZZ	55	3800	PK507-12	72

PK SERİSİ
PK SERIES

PK SERİSİ
PK SERIES

1:2 - 1:4 ASKI
1:2 - 1:4 ROPING

SABİT MİL
FIXED AXLE



Ø520 mm

MİL BOYU | AXLE LENGTH

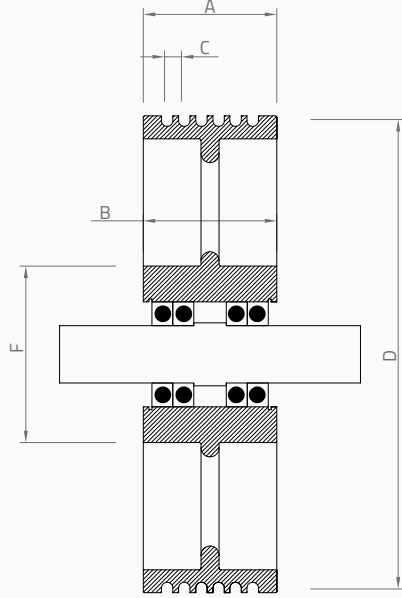
300 mm

KASNAK ÇAP NOMINAL DIAMETER (Ø mm)	KANAL SAYISI NUMBER OF GROOVES	HALAT ÇAP ROPE DIAMETER (Ø mm)	HALAT MERKEZİ DISTANCE BETWEEN ROPES (mm)	GENİŞLİK CROWN WIDTH (mm)	GÖBEK GENİŞLİK HUB WIDTH (mm)	GÖBEK DIŞ ÇAP HUB OUTSIDE DIAMETER (Ø mm)	RULMAN BALL BEARING	MİL ÇAP AXLE DIAMETER (Ø mm)	STATİK YÜK STATIC LOAD (kg)	ÜRÜN KODU PRODUCT CODE	AĞIRLIK WEIGHT (INCLUDE PILLOW BLOCKS) (kg)
D			C	A	B	E					
520	4	8	13	104	108	140	4x6211 ZZ	55	1500	PK524-8	70
520	5	8	13	104	108	140	4x6211 ZZ	55	1850	PK525-8	70
520	6	8	13	104	108	140	4x6211 ZZ	55	2200	PK526-8	70
520	7	8	13	140	124	140	4x6211 ZZ	55	2600	PK527-8	78
520	8	8	13	140	124	140	4x6211 ZZ	55	3000	PK528-8	78
520	9	8	13	140	124	140	4x6211 ZZ	55	3350	PK529-8	78
520	10	8	13	160	124	140	4x6211 ZZ	55	3800	PK5210-8	86
520	11	8	13	160	124	140	4x6211 ZZ	55	3800	PK5211-8	86
520	4	10	17	104	108	140	4x6211 ZZ	55	2300	PK524-10	70
520	5	10	17	104	108	140	4x6211 ZZ	55	2600	PK525-10	70
520	6	10	17	140	124	140	4x6211 ZZ	55	3800	PK526-10	78
520	7	10	17	140	124	140	4x6211 ZZ	55	3800	PK527-10	78
520	8	10	17	160	124	140	4x6211 ZZ	55	3800	PK528-10	86
520	4	12	19	104	108	140	4x6211 ZZ	55	3800	PK524-12	70
520	5	12	19	140	124	140	4x6211 ZZ	55	3800	PK525-12	78
520	6	12	19	140	124	140	4x6211 ZZ	55	3800	PK526-12	78
520	7	12	19	160	124	140	4x6211 ZZ	55	3800	PK527-12	86
520	4	13	20	104	108	140	4x6211 ZZ	55	2600	PK524-13	70
520	5	13	20	140	124	140	4x6211 ZZ	55	3800	PK525-13	78
520	6	13	20	140	124	140	4x6211 ZZ	55	3800	PK526-13	78
520	7	13	20	160	124	140	4x6211 ZZ	55	3800	PK527-13	86

PK SERİSİ
PK SERIES

1:2 - 1:4 ASKI
1:2 - 1:4 ROPING

SABİT MİL
FIXED AXLE



Ø560 mm

MİL BOYU | AXLE LENGTH

300 mm

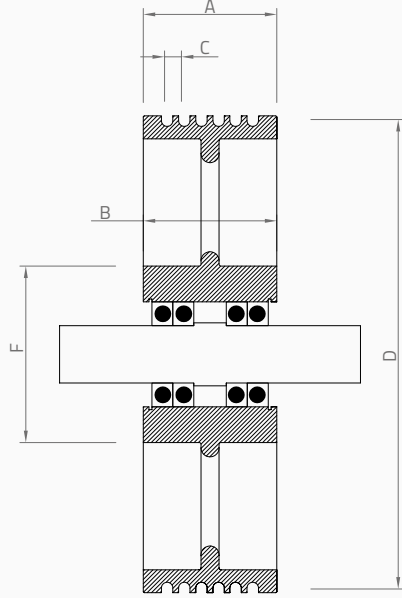
KASNAK ÇAP NOMINAL DIAMETER (Ø mm)	KANAL SAYISI NUMBER OF GROOVES	HALAT ÇAP ROPE DIAMETER (Ø mm)	HALAT MERKEZİ DISTANCE BETWEEN ROPES (mm)	GENİŞLİK CROWN WIDTH (mm)	GÖBEK GENİŞLİK HUB WIDTH (mm)	GÖBEK DIŞ ÇAP HUB OUTSIDE DIAMETER (Ø mm)	RULMAN BALL BEARING	MİL ÇAP AXLE DIAMETER (Ø mm)	STATİK YÜK STATIC LOAD (kg)	ÜRÜN KODU PRODUCT CODE	AĞIRLIK WEIGHT (INCLUDE PILLOW BLOCKS) (kg)
D			C	A	B	E					
560	4	10	17	128	124	140	4x6211 ZZ	55	2300	PK564-10	104
560	5	10	17	128	124	140	4x6211 ZZ	55	2600	PK565-10	104
560	6	10	17	128	124	140	4x6211 ZZ	55	3800	PK566-10	104
560	7	10	17	156	124	140	4x6211 ZZ	55	3800	PK567-10	105
560	8	10	17	178	124	140	4x6211 ZZ	55	3800	PK568-10	131
560	9	10	17	178	124	140	4x6211 ZZ	55	3800	PK569-10	131
560	4	12	19	128	124	140	4x6211 ZZ	55	3800	PK564-12	104
560	5	12	19	128	124	140	4x6211 ZZ	55	3800	PK565-12	104
560	6	12	19	156	124	140	4x6211 ZZ	55	3800	PK566-12	105
560	7	12	19	156	124	140	4x6211 ZZ	55	3800	PK567-12	105
560	8	12	19	178	124	140	4x6211 ZZ	55	3800	PK568-12	131
560	4	13	20	128	124	140	4x6211 ZZ	55	3800	PK564-13	104
560	5	13	20	128	124	140	4x6211 ZZ	55	3800	PK565-13	104
560	6	13	20	156	124	140	4x6211 ZZ	55	3800	PK566-13	105
560	7	13	20	156	124	140	4x6211 ZZ	55	3800	PK567-13	105
560	8	13	20	178	124	140	4x6211 ZZ	55	3800	PK568-13	131
560	4	14	21	128	124	140	4x6211 ZZ	55	3800	PK564-14	104
560	5	14	21	128	124	140	4x6211 ZZ	55	3800	PK565-14	104
560	6	14	21	156	124	140	4x6211 ZZ	55	3800	PK566-14	105
560	7	14	21	156	124	140	4x6211 ZZ	55	3800	PK567-14	131
560	8	14	20	178	124	140	4x6211 ZZ	55	3800	PK568-14	131

PK SERİSİ
PK SERIES

PK SERİSİ
PK SERIES

1:2 - 1:4 ASKI
1:2 - 1:4 ROPING

SABİT MİL
FIXED AXLE



Ø600 mm

MİL BOYU | AXLE LENGTH

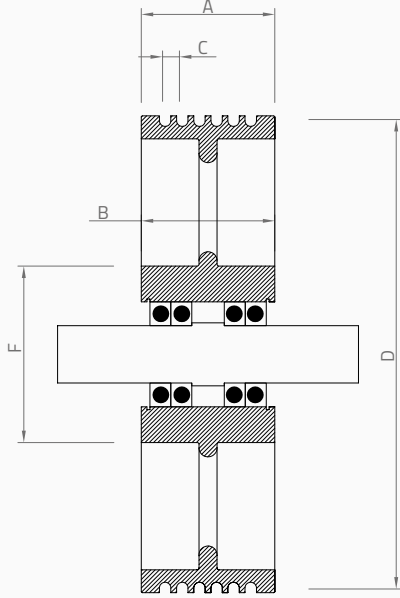
300 mm

KASNAK ÇAP NOMINAL DIAMETER (Ø mm)	KANAL SAYISI NUMBER OF GROOVES	HALAT ÇAP ROPE DIAMETER (Ø mm)	HALAT MERKEZİ DISTANCE BETWEEN ROPES (mm)	GENİSLİK CROWN WIDTH (mm)	GÖBEK GENİŞLİK HUB WIDTH (mm)	GÖBEK DIŞ ÇAP HUB OUTSIDE DIAMETER (Ø mm)	RULMAN BALL BEARING	MİL ÇAP AXLE DIAMETER (Ø mm)	STATİK YÜK STATIC LOAD (kg)	ÜRÜN KODU PRODUCT CODE	AĞIRLIK WEIGHT (INCLUDE PILLOW BLOCKS) (kg)
D			C	A	B	E					
600	4	10	17	125	124	140	4x6211 ZZ	60	2300	PK604-10	107
600	5	10	17	125	124	140	4x6211 ZZ	60	2900	PK605-10	107
600	6	10	17	125	124	140	4x6211 ZZ	60	3800	PK606-10	107
600	7	10	17	152	124	140	4x6211 ZZ	60	4100	PK607-10	132
600	8	10	17	152	124	140	4x6211 ZZ	60	4600	PK608-10	132
600	4	12	19	125	124	140	4x6211 ZZ	60	3800	PK604-12	107
600	5	12	19	125	124	140	4x6211 ZZ	60	4100	PK605-12	107
600	6	12	19	152	124	140	4x6211 ZZ	60	4600	PK606-12	132
600	7	12	19	152	124	140	4x6211 ZZ	60	4600	PK607-12	132
600	4	13	20	125	124	140	4x6211 ZZ	60	4600	PK604-13	107
600	5	13	20	125	124	140	4x6211 ZZ	60	4600	PK605-13	107
600	6	13	20	152	124	140	4x6211 ZZ	60	4600	PK606-13	132
600	7	13	19	152	124	140	4x6211 ZZ	60	4600	PK607-13	132
600	4	14	21	125	124	140	4x6211 ZZ	60	4600	PK604-14	107
600	5	14	21	125	124	140	4x6211 ZZ	60	4600	PK605-14	107
600	6	14	21	152	124	140	4x6211 ZZ	60	4600	PK606-14	132
600	4	15	22	125	124	140	4x6211 ZZ	60	4600	PK604-15	107
600	5	15	22	125	124	140	4x6211 ZZ	60	4600	PK605-15	107
600	6	15	22	152	124	140	4x6211 ZZ	60	4600	PK606-15	132

PK SERİSİ
PK SERIES

1:2 - 1:4 ASKI
1:2 - 1:4 ROPING

SABİT MİL
FIXED AXLE



Ø650 mm

MİL BOYU | AXLE LENGTH

300 mm

KASNAK ÇAP NOMINAL DIAMETER (Ø mm)	KANAL SAYISI NUMBER OF GROOVES	HALAT ÇAP ROPE DIAMETER (Ø mm)	HALAT MERKEZİ DISTANCE BETWEEN ROPES (mm)	GENİŞLİK CROWN WIDTH (mm)	GÖBEK GENİŞLİK HUB WIDTH (mm)	GÖBEK DIŞ ÇAP HUB OUTSIDE DIAMETER (Ø mm)	RULMAN BALL BEARING	MİL ÇAP AXLE DIAMETER (Ø mm)	STATİK YÜK STATIC LOAD (kg)	ÜRÜN KODU PRODUCT CODE	AĞIRLIK WEIGHT (INCLUDE PILLOW BLOCKS) (kg)
D			C	A	B	E					
650	4	10	17	124	124	140	4x6212 ZZ	60	2300	PK654-10	121
650	5	10	17	124	124	140	4x6212 ZZ	60	2900	PK655-10	121
650	6	10	17	124	124	140	4x6212 ZZ	60	3800	PK656-10	121
650	4	12	19	124	124	140	4x6212 ZZ	60	3800	PK654-12	121
650	5	12	19	124	124	140	4x6212 ZZ	60	4100	PK655-12	121
650	4	13	20	124	124	140	4x6212 ZZ	60	4600	PK654-13	121
650	5	13	20	124	124	140	4x6212 ZZ	60	4600	PK655-13	121
650	4	14	21	124	124	140	4x6212 ZZ	60	4600	PK654-14	121
650	5	14	21	124	124	140	4x6212 ZZ	60	4600	PK655-14	121
650	4	15	22	124	124	140	4x6212 ZZ	60	4600	PK654-15	121
650	5	15	21	124	124	140	4x6212 ZZ	60	4600	PK655-15	121
650	4	16	23	124	124	140	4x6212 ZZ	60	4600	PK654-16	121
650	5	16	21	124	124	140	4x6212 ZZ	60	4600	PK655-16	121

PK SERİSİ
PK SERIES