

PALANGA KASNAKLARI

HEAVY DUTY DIVERTING SHEAVES

PL SERİSİ
PL SERIES



EKONOMİK SERİ | *ECONOMICAL SERIES*
Ø240mm - Ø680mm Arası | *Between*

PK SERİSİ
PK SERIES

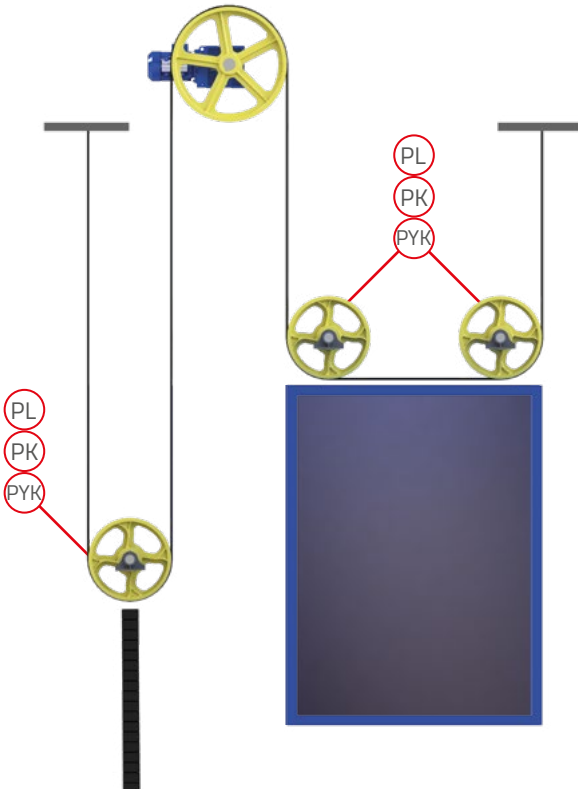
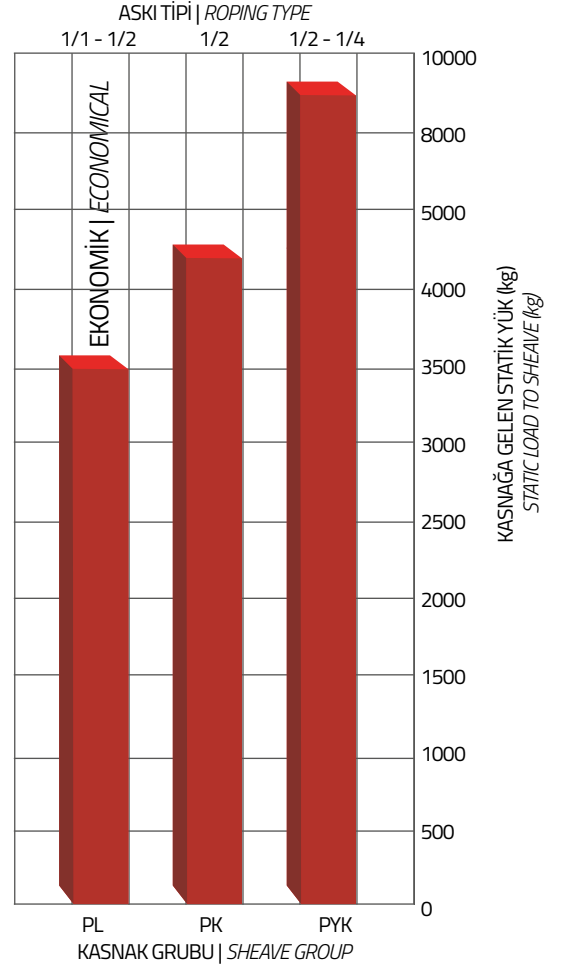


Ø120mm - Ø650mm Arası | *Between*

PYK SERİSİ
PYK SERIES



Ø240mm - Ø680mm Arası | *Between*



- 3 tip döküm gövdeli kasnak tercih edilebilmektedir.
3 type cast iron bodies can be preferred.
- Malzemesi, pik döküm GG25 – GG30 dir.
The material of cast iron pulleys is cast iron GG25 - GG30.
- İlerideki sayfalarda belirtildiği üzere, kasnak seçimi yapılırken kasnağa gelen yüke göre tercih yapılmalıdır.
As indicated in the following pages, the choice of the pulley should be made according to the type of rope type and the load capacity made on the pulley.
- Kasnağa gelen yük, aşağıdaki formülden kolayca hesaplanabilir.
 $(F=2xF_1 \sin(A/2))$ F1-halat yükü (kg), A-sarma açısı
The load on the pulley can be easily calculated from the following formula.
 $(F=2xF_1 \sin(A/2))$ F1-rope load (kg), A-winding angle
- Mil hesaplamaları, asansörün tasarım ofisi tarafından yapılmalıdır, bu hesaplamalarda milin boyu mümkün olduğunca kısa olmasına dikkat edilmelidir.
Axle calculations should be made by the design office of the elevator, in these calculations, the length of the axle should be as short as possible.
- Hazır mil ölçülerimizi katalogumuzda bulabilirsiniz. Sabit ve kayar tip millerimiz mevcuttur.
You can find our ready axle dimensions in our catalogue. We have fixed and sliding type axles.
- Rulmanlarımız yaklaşık 10.000 saat çalışma ömrüne göre hesap edilmiştir. Daha fazla çalışma saati istenirse, bu ayrıca belirtilmelidir.
Our bearings are calculated according to the working life of approximately 10,000 hours. If further working hours are requested, this must be specified separately.
- Montaj esnasında halatların sarm yönlerine (sağ sarm – sol sarm) eşit sayıda olması kasnakların ömrü ve halat sesinin azaltılması açısından önemlidir.
During the assembly, the ropes should be equal to the winding directions (right winding - left winding) and this is important for the life of the pulleys and the reduction of the rope noise.
- Kasnaklarımızda balans mevcuttur. 1.6 m/s ve üstü kabin hızlarında balans yapılması önemlidir.
Balance is available in our pulleys. Balancing at car speeds of 1.6 m/s and above is important.

Katalogumuzdan sayfa 32'den itibaren bulabilirsiniz
Please check page 32 from our catalogue



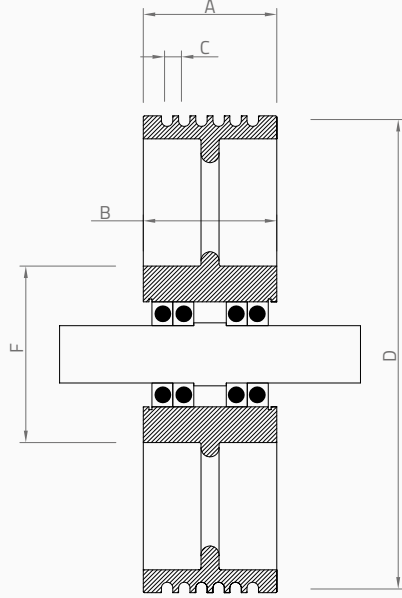
PYK SERİSİ
PYK SERIES

PALANGA KASNAKLARI
HEAVY DUTY DIVERTING SHEAVES

PYK SERİSİ
PYK SERIES

1:2 - 1:4 ASKI
1:2 - 1:4 ROPING

SABİT MİL
FIXED AXLE



Ø240 mm

MİL BOYU | AXLE LENGTH

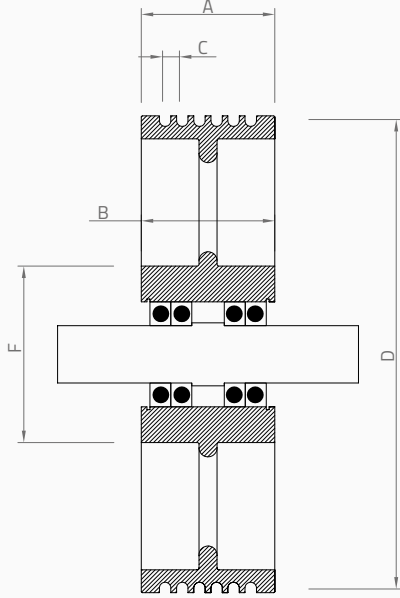
350 mm

KASNAK ÇAP NOMINAL DIAMETER (Ø mm)	KANAL SAYISI NUMBER OF GROOVES	HALAT ÇAP ROPE DIAMETER (Ø mm)	HALAT MERKEZİ DISTANCE BETWEEN ROPES (mm)	GENİSLİK CROWN WIDTH (mm)	GÖBEK GENİŞLİK HUB WIDTH (mm)	GÖBEK DIŞ ÇAP HUB OUTSIDE DIAMETER (Ø mm)	RULMAN BALL BEARING	MİL ÇAP AXLE DIAMETER (Ø mm)	STATİK YÜK STATIC LOAD (kg)	ÜRÜN KODU PRODUCT CODE	AĞIRLIK WEIGHT (INCLUDE PILLOW BLOCKS) (kg)
D			C	A	B	E					
240	4	6,5	11	140	124	150	4x6213 ZZ	65	1050	PYK244-6,5	53
240	5	6,5	11	140	124	150	4x6213 ZZ	65	1050	PYK245-6,5	53
240	6	6,5	11	140	124	150	4x6213 ZZ	65	1500	PYK246-6,5	53
240	7	6,5	11	140	124	150	4x6213 ZZ	65	2600	PYK247-6,5	53
240	8	6,5	11	140	124	150	4x6213 ZZ	65	3000	PYK248-6,5	53
240	9	6,5	11	140	124	150	4x6213 ZZ	65	3350	PYK249-6,5	53
240	10	6,5	11	140	124	150	4x6213 ZZ	65	3500	PYK2410-6,5	53
240	11	6,5	11	140	124	150	4x6213 ZZ	65	3500	PYK2411-6,5	53
240	4	8	13	140	124	150	4x6213 ZZ	65	1500	PYK244-8	53
240	5	8	13	140	124	150	4x6213 ZZ	65	1850	PYK245-8	53
240	6	8	13	140	124	150	4x6213 ZZ	65	2200	PYK246-8	53
240	7	8	13	140	124	150	4x6213 ZZ	65	2600	PYK247-8	53
240	8	8	13	140	124	150	4x6213 ZZ	65	3000	PYK248-8	53
240	9	8	13	140	124	150	4x6213 ZZ	65	3350	PYK249-8	53
240	4	10	17	140	124	150	4x6213 ZZ	65	2300	PYK244-10	53
240	5	10	17	140	124	150	4x6213 ZZ	65	2950	PYK245-10	53
240	6	10	17	140	124	150	4x6213 ZZ	65	3500	PYK246-10	53
240	7	10	17	140	124	150	4x6213 ZZ	65	4050	PYK247-10	53
240	8	10	15,5	140	124	150	4x6213 ZZ	65	4600	PYK248-10	53

PYK SERİSİ
PYK SERIES

1:2 - 1:4 ASKI
1:2 - 1:4 ROPING

SABİT MİL
FIXED AXLE



Ø320 mm

MİL BOYU | AXLE LENGTH

350 mm

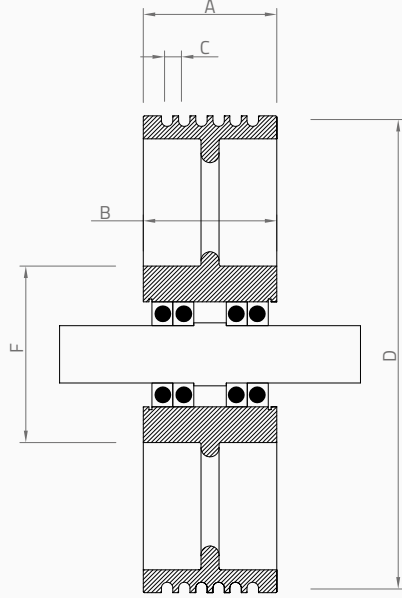
KASNAK ÇAP NOMINAL DIAMETER (Ø mm)	KANAL SAYISI NUMBER OF GROOVES	HALAT ÇAP ROPE DIAMETER (Ø mm)	HALAT MERKEZİ DISTANCE BETWEEN ROPES (mm)	GENİSLİK CROWN WIDTH (mm)	GÖBEK GENİŞLİK HUB WIDTH (mm)	GÖBEK DIŞ ÇAP HUB OUTSIDE DIAMETER (Ø mm)	RULMAN BALL BEARING	MİL ÇAP AXLE DIAMETER (Ø mm)	STATİK YÜK STATIC LOAD (kg)	ÜRÜN KODU PRODUCT CODE	AĞIRLIK WEIGHT (INCLUDE PILLOW BLOCKS) (kg)
D			C	A	B	E					
320	4	6,5	11	124	124	160	4x6213 ZZ	65	1050	PYK324-6,5	51
320	5	6,5	11	124	124	160	4x6213 ZZ	65	1050	PYK325-6,5	51
320	6	6,5	11	124	124	160	4x6213 ZZ	65	1500	PYK326-6,5	51
320	7	6,5	11	124	124	160	4x6213 ZZ	65	2600	PYK327-6,5	51
320	8	6,5	11	124	124	160	4x6213 ZZ	65	3000	PYK328-6,5	51
320	9	6,5	11	124	124	160	4x6213 ZZ	65	3350	PYK329-6,5	51
320	10	6,5	11	150	124	180	4x6213 ZZ	65	3500	PYK3210-6,5	58
320	11	6,5	11	150	124	180	4x6213 ZZ	65	3500	PYK3211-6,5	58
320	12	6,5	11	150	124	180	4x6213 ZZ	65	3500	PYK3212-6,5	58
320	4	8	13	124	124	160	4x6213 ZZ	65	1500	PYK324-8	51
320	5	8	13	124	124	160	4x6213 ZZ	65	1850	PYK325-8	51
320	6	8	13	124	124	160	4x6213 ZZ	65	2200	PYK326-8	51
320	7	8	13	124	124	160	4x6213 ZZ	65	2600	PYK327-8	51
320	8	8	13	124	124	160	4x6213 ZZ	65	3000	PYK328-8	51
320	9	8	13	150	124	180	4x6213 ZZ	65	3350	PYK329-8	58
320	10	8	13	150	124	180	4x6213 ZZ	65	3350	PYK3210-8	58
320	4	10	17	124	124	160	4x6213 ZZ	65	2300	PYK324-10	51
320	5	10	17	124	124	160	4x6213 ZZ	65	2950	PYK325-10	51
320	6	10	17	124	124	160	4x6213 ZZ	65	3500	PYK326-10	51
320	7	10	17	150	124	180	4x6213 ZZ	65	4050	PYK327-10	58
320	8	10	17	150	124	180	4x6213 ZZ	65	4600	PYK328-10	58

PYK SERİSİ
PYK SERIES

PYK SERİSİ
PYK SERIES

1:2 - 1:4 ASKI
1:2 - 1:4 ROPING

SABİT MİL
FIXED AXLE



Ø360 mm

MİL BOYU | AXLE LENGTH

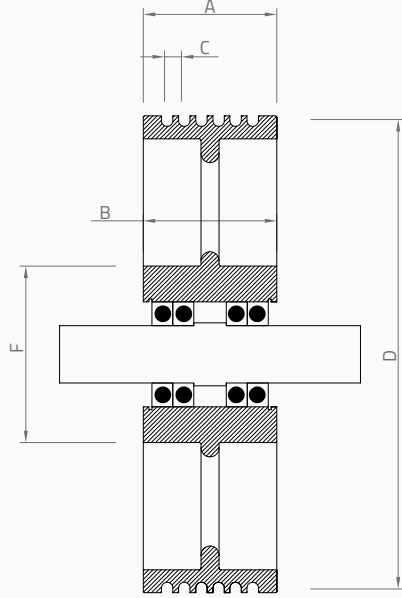
350 mm

KASNAK ÇAP NOMINAL DIAMETER (Ø mm)	KANAL SAYISI NUMBER OF GROOVES	HALAT ÇAP ROPE DIAMETER (Ø mm)	HALAT MERKEZİ DISTANCE BETWEEN ROPES (mm)	GENİSLİK CROWN WIDTH (mm)	GÖBEK GENİSLİK HUB WIDTH (mm)	GÖBEK DIŞ ÇAP HUB OUTSIDE DIAMETER (Ø mm)	RULMAN BALL BEARING	MİL ÇAP AXLE DIAMETER (Ø mm)	STATİK YÜK STATIC LOAD (kg)	ÜRÜN KODU PRODUCT CODE	AĞIRLIK WEIGHT (INCLUDE PILLOW BLOCKS) (kg)
D			C	A	B	E					
360	4	6,5	11	124	124	180	4x6213 ZZ	65	1050	PYK364-6,5	62
360	5	6,5	11	124	124	180	4x6213 ZZ	65	1050	PYK365-6,5	62
360	6	6,5	11	124	124	180	4x6213 ZZ	65	1500	PYK366-6,5	62
360	7	6,5	11	124	124	180	4x6213 ZZ	65	2600	PYK367-6,5	62
360	8	6,5	11	124	124	180	4x6213 ZZ	65	3000	PYK368-6,5	62
360	9	6,5	11	124	124	180	4x6213 ZZ	65	3350	PYK369-6,5	62
360	4	8	13	124	124	180	4x6213 ZZ	65	1500	PYK364-8	62
360	5	8	13	124	124	180	4x6213 ZZ	65	1850	PYK365-8	62
360	6	8	13	124	124	180	4x6213 ZZ	65	2200	PYK366-8	62
360	7	8	13	124	124	180	4x6213 ZZ	65	2600	PYK367-8	62
360	8	8	13	124	124	180	4x6213 ZZ	65	3000	PYK368-8	62
360	4	10	17	124	124	180	4x6213 ZZ	65	2300	PYK364-10	62
360	5	10	17	124	124	180	4x6213 ZZ	65	2950	PYK365-10	62
360	6	10	17	124	124	180	4x6213 ZZ	65	3500	PYK366-10	62

PYK SERİSİ
PYK SERIES

1:2 - 1:4 ASKI
1:2 - 1:4 ROPING

SABİT MİL
FIXED AXLE



Ø400 mm

MİL BOYU | AXLE LENGTH

350 mm

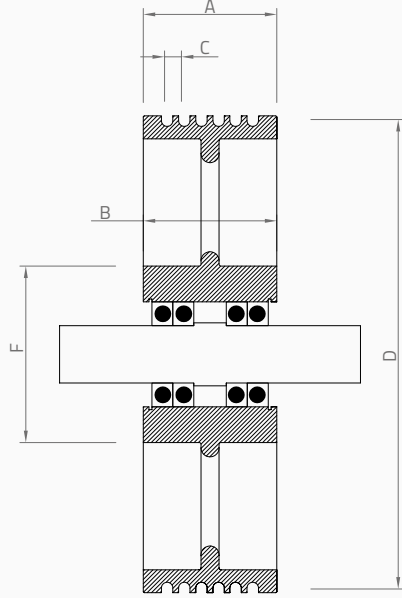
KASNAK ÇAP NOMINAL DIAMETER (Ø mm)	KANAL SAYISI NUMBER OF GROOVES	HALAT ÇAP ROPE DIAMETER (Ø mm)	HALAT MERKEZİ DISTANCE BETWEEN ROPES (mm)	GENİSLİK CROWN WIDTH (mm)	GÖBEK GENİŞLİK HUB WIDTH (mm)	GÖBEK DIŞ ÇAP HUB OUTSIDE DIAMETER (Ø mm)	RULMAN BALL BEARING	MİL ÇAP AXLE DIAMETER (Ø mm)	STATİK YÜK STATIC LOAD (kg)	ÜRÜN KODU PRODUCT CODE	AĞIRLIK WEIGHT (INCLUDE PILLOW BLOCKS) (kg)
D			C	A	B	E					
400	4	6,5	11	150	124	180	4x6213 ZZ	65	1050	PYK404-6,5	70
400	5	6,5	11	150	124	180	4x6213 ZZ	65	1050	PYK405-6,5	70
400	6	6,5	11	150	124	180	4x6213 ZZ	65	1500	PYK406-6,5	70
400	7	6,5	11	150	124	180	4x6213 ZZ	65	2600	PYK407-6,5	70
400	8	6,5	11	150	124	180	4x6213 ZZ	65	3000	PYK408-6,5	70
400	9	6,5	11	150	124	180	4x6213 ZZ	65	3350	PYK409-6,5	70
400	10	6,5	11	150	124	180	4x6213 ZZ	65	3500	PYK4010-6,5	70
400	11	6,5	11	150	124	180	4x6213 ZZ	65	3500	PYK4011-6,5	70
400	12	6,5	11	150	124	180	4x6213 ZZ	65	3500	PYK4012-6,5	70
400	13	6,5	11	180	124	180	4x6213 ZZ	65	3500	PYK4013-6,5	74
400	14	6,5	11	180	124	180	4x6213 ZZ	65	3500	PYK4014-6,5	74
400	15	6,5	11	180	124	180	4x6213 ZZ	65	3500	PYK4015-6,5	74
400	4	8	13	150	124	180	4x6213 ZZ	65	1500	PYK404-8	70
400	5	8	13	150	124	180	4x6213 ZZ	65	1850	PYK405-8	70
400	6	8	13	150	124	180	4x6213 ZZ	65	2200	PYK406-8	70
400	7	8	13	150	124	180	4x6213 ZZ	65	2600	PYK407-8	70
400	8	8	13	150	124	180	4x6213 ZZ	65	3000	PYK408-8	70
400	9	8	13	150	124	180	4x6213 ZZ	65	3350	PYK409-8	70
400	10	8	13	150	124	180	4x6213 ZZ	65	3350	PYK4010-8	70
400	11	8	13	180	124	180	4x6213 ZZ	65	3350	PYK4011-8	74
400	12	8	13	180	124	180	4x6213 ZZ	65	3350	PYK4012-8	74

PYK SERİSİ
PYK SERIES

PYK SERİSİ
PYK SERIES

1:2 - 1:4 ASKI
1:2 - 1:4 ROPING

SABİT MİL
FIXED AXLE



Ø400 mm

MİL BOYU | AXLE LENGTH

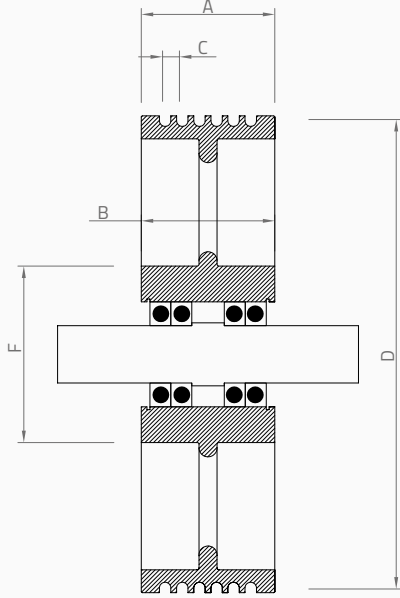
350 mm

KASNAK ÇAP NOMINAL DIAMETER (Ø mm)	KANAL SAYISI NUMBER OF GROOVES	HALAT ÇAP ROPE DIAMETER (Ø mm)	HALAT MERKEZİ DISTANCE BETWEEN ROPES (mm)	GENİŞLİK CROWN WIDTH (mm)	GÖBEK GENİŞLİK HUB WIDTH (mm)	GÖBEK DIŞ ÇAP HUB OUTSIDE DIAMETER (Ø mm)	RULMAN BALL BEARING	MİL ÇAP AXLE DIAMETER (Ø mm)	STATİK YÜK STATIC LOAD (kg)	ÜRÜN KODU PRODUCT CODE	AĞIRLIK WEIGHT (INCLUDE PILLOW BLOCKS) (kg)
D			C	A	B	E					
400	4	10	17	150	124	180	4x6213 ZZ	65	2300	PYK404-10	70
400	5	10	17	150	124	180	4x6213 ZZ	65	2950	PYK405-10	70
400	6	10	17	150	124	180	4x6213 ZZ	65	3500	PYK406-10	70
400	7	10	17	150	124	180	4x6213 ZZ	65	4050	PYK407-10	70
400	8	10	17	150	124	180	4x6213 ZZ	65	4600	PYK408-10	70
400	9	10	17	180	124	180	4x6213 ZZ	65	4600	PYK408-10	74

PYK SERİSİ
PYK SERIES

1:2 - 1:4 ASKI
1:2 - 1:4 ROPING

SABİT MİL
FIXED AXLE



Ø450 mm

MİL BOYU | AXLE LENGTH

350 mm

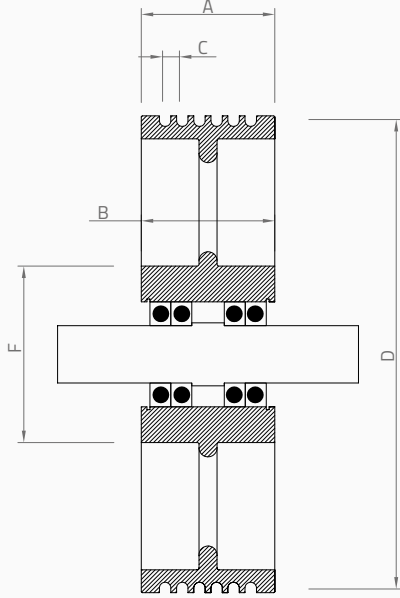
KASNAK ÇAP NOMINAL DIAMETER (Ø mm)	KANAL SAYISI NUMBER OF GROOVES	HALAT ÇAP ROPE DIAMETER (Ø mm)	HALAT MERKEZİ DISTANCE BETWEEN ROPES (mm)	GENİSLİK CROWN WIDTH (mm)	GÖBEK GENİŞLİK HUB WIDTH (mm)	GÖBEK DIŞ ÇAP HUB OUTSIDE DIAMETER (Ø mm)	RULMAN BALL BEARING	MİL ÇAP AXLE DIAMETER (Ø mm)	STATİK YÜK STATIC LOAD (kg)	ÜRÜN KODU PRODUCT CODE	AĞIRLIK WEIGHT (INCLUDE PILLOW BLOCKS) (kg)
D			C	A	B	E					
450	4	6,5	11	124	124	180	4x6213 ZZ	65	1050	PYK454-6,5	80
450	5	6,5	11	124	124	180	4x6213 ZZ	65	1050	PYK455-6,5	80
450	6	6,5	11	124	124	180	4x6213 ZZ	65	1500	PYK456-6,5	80
450	7	6,5	11	124	124	180	4x6213 ZZ	65	2600	PYK457-6,5	80
450	8	6,5	11	124	124	180	4x6213 ZZ	65	3000	PYK458-6,5	80
450	9	6,5	11	124	124	180	4x6213 ZZ	65	3350	PYK459-6,5	80
450	10	6,5	11	150	124	180	4x6213 ZZ	65	3500	PYK4510-6,5	85
450	11	6,5	11	150	124	180	4x6213 ZZ	65	3500	PYK4511-6,5	85
450	12	6,5	11	150	124	180	4x6213 ZZ	65	3500	PYK4512-6,5	85
450	4	8	13	124	124	180	4x6213 ZZ	65	1500	PYK454-8	80
450	5	8	13	124	124	180	4x6213 ZZ	65	1850	PYK455-8	80
450	6	8	13	124	124	180	4x6213 ZZ	65	2200	PYK456-8	80
450	7	8	13	124	124	180	4x6213 ZZ	65	2600	PYK457-8	80
450	8	8	13	124	124	180	4x6213 ZZ	65	3000	PYK458-8	80
450	9	8	13	150	124	180	4x6213 ZZ	65	3350	PYK459-8	85
450	10	8	13	150	124	180	4x6213 ZZ	65	3350	PYK4510-8	85
450	4	10	17	124	124	180	4x6213 ZZ	65	2300	PYK454-10	80
450	5	10	17	124	124	180	4x6213 ZZ	65	2950	PYK455-10	80
450	6	10	17	124	124	180	4x6213 ZZ	65	3500	PYK456-10	80
450	7	10	17	150	124	180	4x6213 ZZ	65	4050	PYK457-10	85
450	8	10	17	150	124	180	4x6213 ZZ	65	4600	PYK458-10	85

PYK SERİSİ
PYK SERIES

PYK SERİSİ
PYK SERIES

1:2 - 1:4 ASKI
1:2 - 1:4 ROPING

SABİT MİL
FIXED AXLE



Ø450 mm

MİL BOYU | AXLE LENGTH

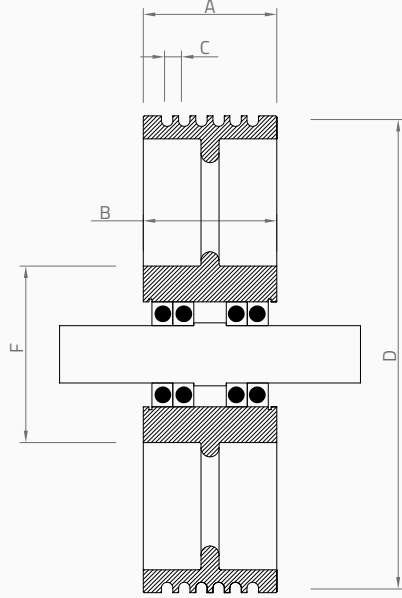
350 mm

KASNAK ÇAP NOMINAL DIAMETER (Ø mm)	KANAL SAYISI NUMBER OF GROOVES	HALAT ÇAP ROPE DIAMETER (Ø mm)	HALAT MERKEZİ DISTANCE BETWEEN ROPES (mm)	GENİSLİK CROWN WIDTH (mm)	GÖBEK GENİSLİK HUB WIDTH (mm)	GÖBEK DIŞ ÇAP HUB OUTSIDE DIAMETER (Ø mm)	RULMAN BALL BEARING	MİL ÇAP AXLE DIAMETER (Ø mm)	STATİK YÜK STATIC LOAD (kg)	ÜRÜN KODU PRODUCT CODE	AĞIRLIK WEIGHT (INCLUDE PILLOW BLOCKS) (kg)
D			C	A	B	E					
450	4	12	19	124	124	180	4x6213 ZZ	65	4600	PYK454-12	80
450	5	12	19	124	124	180	4x6213 ZZ	65	4600	PYK455-12	80
450	6	12	19	150	124	180	4x6213 ZZ	65	5700	PYK456-12	85
450	7	12	19	150	124	180	4x6213 ZZ	65	5700	PYK457-12	85

PYK SERİSİ
PYK SERIES

1:2 - 1:4 ASKI
1:2 - 1:4 ROPING

SABİT MİL
FIXED AXLE



Ø480 mm

MİL BOYU | AXLE LENGTH

350 mm

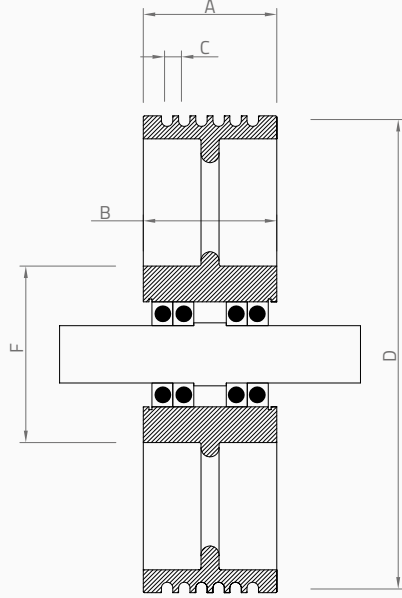
KASNAK ÇAP NOMINAL DIAMETER (Ø mm)	KANAL SAYISI NUMBER OF GROOVES	HALAT ÇAP ROPE DIAMETER (Ø mm)	HALAT MERKEZİ DISTANCE BETWEEN ROPES (mm)	GENİSLİK CROWN WIDTH (mm)	GÖBEK GENİŞLİK HUB WIDTH (mm)	GÖBEK DIŞ ÇAP HUB OUTSIDE DIAMETER (Ø mm)	RULMAN BALL BEARING	MİL ÇAP AXLE DIAMETER (Ø mm)	STATİK YÜK STATIC LOAD (kg)	ÜRÜN KODU PRODUCT CODE	AĞIRLIK WEIGHT (INCLUDE PILLOW BLOCKS) (kg)
D			C	A	B	E					
480	4	6,5	11	140	124	180	4x6213 ZZ	65	1050	PYK484-6,5	96
480	5	6,5	11	140	124	180	4x6213 ZZ	65	1050	PYK485-6,5	96
480	6	6,5	11	140	124	180	4x6213 ZZ	65	1500	PYK486-6,5	96
480	7	6,5	11	140	124	180	4x6213 ZZ	65	2600	PYK487-6,5	96
480	8	6,5	11	140	124	180	4x6213 ZZ	65	3000	PYK488-6,5	96
480	9	6,5	11	140	124	180	4x6213 ZZ	65	3350	PYK489-6,5	96
480	10	6,5	11	140	124	180	4x6213 ZZ	65	3500	PYK4810-6,5	96
480	11	6,5	11	140	124	180	4x6213 ZZ	65	3500	PYK4811-6,5	96
480	4	8	13	140	124	180	4x6213 ZZ	65	1500	PYK484-8	96
480	5	8	13	140	124	180	4x6213 ZZ	65	1850	PYK485-8	96
480	6	8	13	140	124	180	4x6213 ZZ	65	2200	PYK486-8	96
480	7	8	13	140	124	180	4x6213 ZZ	65	2600	PYK487-8	96
480	8	8	13	140	124	180	4x6213 ZZ	65	3000	PYK488-8	96
480	9	8	13	140	124	180	4x6213 ZZ	65	3350	PYK489-8	96
480	4	10	17	140	124	180	4x6213 ZZ	65	2300	PYK484-10	96
480	5	10	17	140	124	180	4x6213 ZZ	65	2950	PYK485-10	96
480	6	10	17	140	124	180	4x6213 ZZ	65	3500	PYK486-10	96
480	7	10	17	140	124	180	4x6213 ZZ	65	4050	PYK487-10	96
480	4	12	19	140	124	180	4x6213 ZZ	65	4600	PYK484-12	96
480	5	12	19	140	124	180	4x6213 ZZ	65	4600	PYK485-12	96
480	6	12	19	140	124	180	4x6213 ZZ	65	5700	PYK486-12	96

PYK SERİSİ
PYK SERIES

PYK SERİSİ
PYK SERIES

1:2 - 1:4 ASKI
1:2 - 1:4 ROPING

SABİT MİL
FIXED AXLE



Ø520 mm

MİL BOYU | AXLE LENGTH

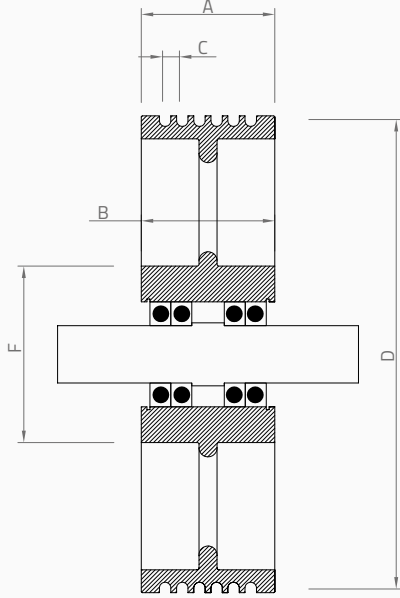
350 mm

KASNAK ÇAP NOMINAL DIAMETER (Ø mm)	KANAL SAYISI NUMBER OF GROOVES	HALAT ÇAP ROPE DIAMETER (Ø mm)	HALAT MERKEZİ DISTANCE BETWEEN ROPES (mm)	GENİŞLİK CROWN WIDTH (mm)	GÖBEK GENİŞLİK HUB WIDTH (mm)	GÖBEK DIŞ ÇAP HUB OUTSIDE DIAMETER (Ø mm)	RULMAN BALL BEARING	MİL ÇAP AXLE DIAMETER (Ø mm)	STATİK YÜK STATIC LOAD (kg)	ÜRÜN KODU PRODUCT CODE	AĞIRLIK WEIGHT (INCLUDE PILLOW BLOCKS) (kg)
D			C	A	B	E					
520	4	8	13	124	124	180	4x6213 ZZ	65	1500	PYK524-8	98
520	5	8	13	124	124	180	4x6213 ZZ	65	1850	PYK525-8	98
520	6	8	13	124	124	180	4x6213 ZZ	65	2200	PYK526-8	98
520	7	8	13	124	124	180	4x6213 ZZ	65	2600	PYK527-8	98
520	8	8	13	124	124	180	4x6213 ZZ	65	3000	PYK528-8	98
520	9	8	13	165	124	180	4x6213 ZZ	65	3350	PYK529-8	115
520	10	8	13	165	124	180	4x6213 ZZ	65	3350	PYK5210-8	115
520	11	8	13	165	124	180	4x6213 ZZ	65	4100	PYK5211-8	115
520	12	8	13	185	124	180	4x6213 ZZ	65	4600	PYK5212-8	130
520	13	8	13	185	124	180	4x6213 ZZ	65	5100	PYK5213-8	131
520	4	10	17	124	124	180	4x6213 ZZ	65	2300	PYK524-10	98
520	5	10	17	124	124	180	4x6213 ZZ	65	2950	PYK525-10	98
520	6	10	17	124	124	180	4x6213 ZZ	65	3500	PYK526-10	98
520	7	10	17	165	124	180	4x6213 ZZ	65	4100	PYK527-10	115
520	8	10	17	165	124	180	4x6213 ZZ	65	4650	PYK528-10	115
520	9	10	17	185	124	180	4x6213 ZZ	65	5200	PYK529-10	130
520	10	10	17	185	124	180	4x6213 ZZ	65	5800	PYK5210-10	130

PYK SERİSİ
PYK SERIES

1:2 - 1:4 ASKI
1:2 - 1:4 ROPING

SABİT MİL
FIXED AXLE



Ø520 mm

MİL BOYU | AXLE LENGTH

350 mm

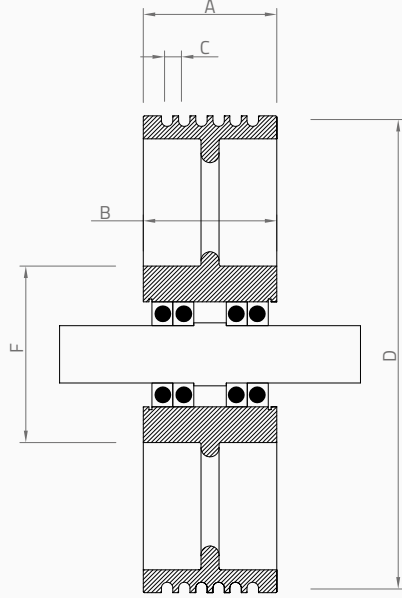
KASNAK ÇAP NOMINAL DIAMETER (Ø mm)	KANAL SAYISI NUMBER OF GROOVES	HALAT ÇAP ROPE DIAMETER (Ø mm)	HALAT MERKEZİ DISTANCE BETWEEN ROPES (mm)	GENİŞLİK CROWN WIDTH (mm)	GÖBEK GENİŞLİK HUB WIDTH (mm)	GÖBEK DIŞ ÇAP HUB OUTSIDE DIAMETER (Ø mm)	RULMAN BALL BEARING	MİL ÇAP AXLE DIAMETER (Ø mm)	STATİK YÜK STATIC LOAD (kg)	ÜRÜN KODU PRODUCT CODE	AĞIRLIK WEIGHT (INCLUDE PILLOW BLOCKS) (kg)
D			C	A	B	E					
520	4	12	19	124	124	180	4x6213 ZZ	65	4600	PYK524-12	98
520	5	12	19	124	124	180	4x6213 ZZ	65	4600	PYK525-12	98
520	6	12	19	165	124	180	4x6213 ZZ	65	5200	PYK526-12	115
520	7	12	19	165	124	180	4x6213 ZZ	65	5800	PYK527-12	115
520	8	12	19	185	124	180	4x6213 ZZ	65	6650	PYK528-12	130
520	4	13	20	124	124	180	4x6213 ZZ	65	4600	PYK524-13	98
520	5	13	20	124	124	180	4x6213 ZZ	65	4600	PYK525-13	98
520	6	13	20	165	124	180	4x6213 ZZ	65	5950	PYK526-13	115
520	7	13	20	165	124	180	4x6213 ZZ	65	6900	PYK527-13	115
520	8	13	20	185	124	180	4x6213 ZZ	65	7900	PYK528-13	130

PYK SERİSİ
PYK SERIES

PYK SERİSİ
PYK SERIES

1:2 - 1:4 ASKI
1:2 - 1:4 ROPING

SABİT MİL
FIXED AXLE



Ø560 mm

MİL BOYU | AXLE LENGTH

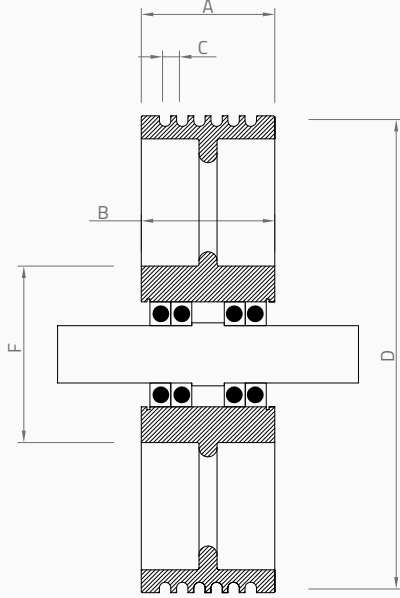
350 mm

KASNAK ÇAP NOMINAL DIAMETER (Ø mm)	KANAL SAYISI NUMBER OF GROOVES	HALAT ÇAP ROPE DIAMETER (Ø mm)	HALAT MERKEZİ DISTANCE BETWEEN ROPES (mm)	GENİŞLİK CROWN WIDTH (mm)	GÖBEK GENİŞLİK HUB WIDTH (mm)	GÖBEK DIŞ ÇAP HUB OUTSIDE DIAMETER (Ø mm)	RULMAN BALL BEARING	MİL ÇAP AXLE DIAMETER (Ø mm)	STATİK YÜK STATIC LOAD (kg)	ÜRÜN KODU PRODUCT CODE	AĞIRLIK WEIGHT (INCLUDE PILLOW BLOCKS) (kg)
D			C	A	B	E					
560	4	10	17	130	124	180	4x6213 ZZ	65	2300	PYK564-10	105
560	5	10	17	130	124	180	4x6213 ZZ	65	2950	PYK565-10	105
560	6	10	17	130	124	180	4x6213 ZZ	65	3500	PYK566-10	105
560	7	10	17	160	124	180	4x6213 ZZ	65	4100	PYK567-10	114
560	8	10	17	160	124	180	4x6213 ZZ	65	4650	PYK568-10	114
560	9	10	17	180	124	180	4x6213 ZZ	65	5200	PYK569-10	131
560	10	10	17	180	124	180	4x6213 ZZ	65	5800	PYK5610-10	131
560	4	12	19	130	124	180	4x6213 ZZ	65	4600	PYK564-12	105
560	5	12	19	130	124	180	4x6213 ZZ	65	4600	PYK565-12	105
560	6	12	19	160	124	180	4x6213 ZZ	65	5200	PYK566-12	114
560	7	12	19	160	124	180	4x6213 ZZ	65	5800	PYK567-12	114
560	8	12	19	180	124	180	4x6213 ZZ	65	6650	PYK568-12	131
560	4	13	20	130	124	180	4x6213 ZZ	65	4600	PYK564-13	105
560	5	13	20	130	124	180	4x6213 ZZ	65	4600	PYK565-13	105
560	6	13	20	160	124	180	4x6213 ZZ	65	5950	PYK566-13	114
560	7	13	20	160	124	180	4x6213 ZZ	65	6900	PYK567-13	114
560	8	13	20	180	124	180	4x6213 ZZ	65	7900	PYK568-13	131
560	4	14	21	130	124	180	4x6213 ZZ	65	4600	PYK564-14	105
560	5	14	21	130	124	180	4x6213 ZZ	65	4600	PYK565-14	105
560	6	14	21	160	124	180	4x6213 ZZ	65	5950	PYK566-14	114
560	7	14	21	180	124	180	4x6213 ZZ	65	6900	PYK567-14	131
560	8	14	21	180	124	180	4x6213 ZZ	65	7900	PYK568-14	131

PYK SERİSİ
PYK SERIES

1:2 - 1:4 ASKI
1:2 - 1:4 ROPING

SABİT MİL
FIXED AXLE



Ø600 mm

MİL BOYU | AXLE LENGTH

350 mm

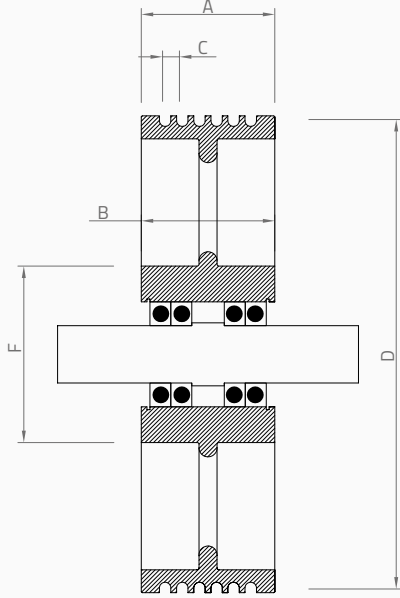
KASNAK ÇAP NOMINAL DIAMETER (Ø mm)	KANAL SAYISI NUMBER OF GROOVES	HALAT ÇAP ROPE DIAMETER (Ø mm)	HALAT MERKEZİ DISTANCE BETWEEN ROPES (mm)	GENİSLİK CROWN WIDTH (mm)	GÖBEK GENİSLİK HUB WIDTH (mm)	GÖBEK DIŞ ÇAP HUB OUTSIDE DIAMETER (Ø mm)	RULMAN BALL BEARING	MİL ÇAP AXLE DIAMETER (Ø mm)	STATİK YÜK STATIC LOAD (kg)	ÜRÜN KODU PRODUCT CODE	AĞIRLIK WEIGHT (INCLUDE PILLOW BLOCKS) (kg)
D			C	A	B	E					
600	4	10	17	120	124	180	4x6213 ZZ	65	2300	PYK604-10	112
600	5	10	17	120	124	180	4x6213 ZZ	65	2950	PYK605-10	112
600	6	10	17	130	124	180	4x6213 ZZ	65	3500	PYK606-10	118
600	7	10	17	150	124	180	4x6213 ZZ	65	4100	PYK607-10	141
600	8	10	17	184	124	180	4x6213 ZZ	65	4650	PYK608-10	148
600	9	10	17	184	124	180	4x6213 ZZ	65	5200	PYK609-10	148
600	10	10	16	184	124	180	4x6213 ZZ	65	5800	PYK6010-10	148
600	4	12	19	120	124	180	4x6213 ZZ	65	4600	PYK604-12	112
600	5	12	19	120	124	180	4x6213 ZZ	65	4600	PYK605-12	112
600	6	12	19	130	124	180	4x6213 ZZ	65	5200	PYK606-12	118
600	7	12	19	150	124	180	4x6213 ZZ	65	5800	PYK607-12	141
600	8	12	18	184	124	180	4x6213 ZZ	65	6650	PYK608-12	148
600	4	13	20	120	124	180	4x6213 ZZ	65	4600	PYK604-13	112
600	5	13	20	120	124	180	4x6213 ZZ	65	4600	PYK605-13	112
600	6	13	20	150	124	180	4x6213 ZZ	65	5950	PYK606-13	141
600	7	13	20	184	124	180	4x6213 ZZ	65	6900	PYK607-13	148
600	8	13	20	184	124	180	4x6213 ZZ	65	7900	PYK608-13	148

PYK SERİSİ
PYK SERIES

PYK SERİSİ
PYK SERIES

1:2 - 1:4 ASKI
1:2 - 1:4 ROPING

SABİT MİL
FIXED AXLE



Ø600 mm

MİL BOYU | AXLE LENGTH

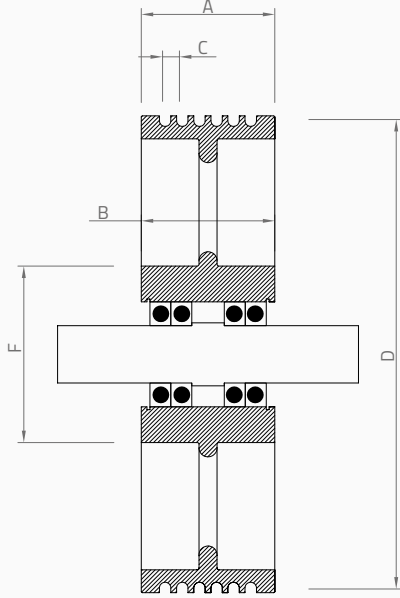
350 mm

KASNAK ÇAP NOMINAL DIAMETER (Ø mm)	KANAL SAYISI NUMBER OF GROOVES	HALAT ÇAP ROPE DIAMETER (Ø mm)	HALAT MERKEZİ DISTANCE BETWEEN ROPES (mm)	GENİSLİK CROWN WIDTH (mm)	GÖBEK GENİSLİK HUB WIDTH (mm)	GÖBEK DIŞ ÇAP HUB OUTSIDE DIAMETER (Ø mm)	RULMAN BALL BEARING	MİL ÇAP AXLE DIAMETER (Ø mm)	STATİK YÜK STATIC LOAD (kg)	ÜRÜN KODU PRODUCT CODE	AĞIRLIK WEIGHT (INCLUDE PILLOW BLOCKS) (kg)
D			C	A	B	E					
600	4	14	21	120	124	180	4x6213 ZZ	65	4600	PYK604-14	112
600	5	14	21	130	124	180	4x6213 ZZ	65	4600	PYK605-14	118
600	6	14	21	150	124	180	4x6213 ZZ	65	5950	PYK606-14	141
600	7	14	21	184	124	180	4x6213 ZZ	65	6900	PYK607-14	148
600	8	14	21	184	124	180	4x6213 ZZ	65	7900	PYK608-14	148
600	4	15	22	120	124	180	4x6213 ZZ	65	5100	PYK604-15	112
600	5	15	22	130	124	180	4x6213 ZZ	65	6450	PYK605-15	118
600	6	15	22	150	124	180	4x6213 ZZ	65	7780	PYK606-15	141
600	7	15	22	184	124	180	4x6213 ZZ	65	8950	PYK607-15	148

PYK SERİSİ
PYK SERIES

1:2 - 1:4 ASKI
1:2 - 1:4 ROPING

SABİT MİL
FIXED AXLE



Ø650 mm

MİL BOYU | AXLE LENGTH

350 mm

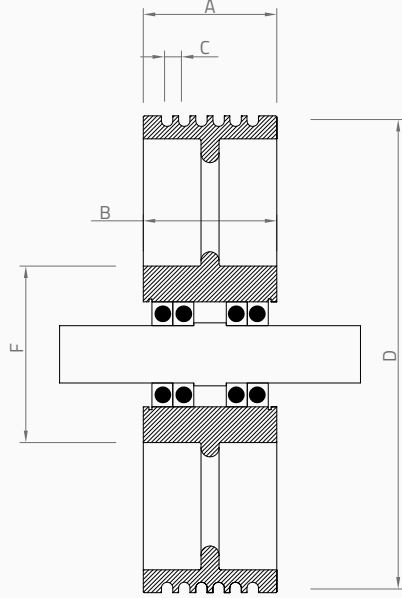
KASNAK ÇAP NOMINAL DIAMETER (Ø mm)	KANAL SAYISI NUMBER OF GROOVES	HALAT ÇAP ROPE DIAMETER (Ø mm)	HALAT MERKEZİ DISTANCE BETWEEN ROPES (mm)	GENİSLİK CROWN WIDTH (mm)	GÖBEK GENİŞLİK HUB WIDTH (mm)	GÖBEK DIŞ ÇAP HUB OUTSIDE DIAMETER (Ø mm)	RULMAN BALL BEARING	MİL ÇAP AXLE DIAMETER (Ø mm)	STATİK YÜK STATIC LOAD (kg)	ÜRÜN KODU PRODUCT CODE	AĞIRLIK WEIGHT (INCLUDE PILLOW BLOCKS) (kg)
D			C	A	B	E					
650	4	10	17	140	124	180	4x6213 ZZ	65	2300	PYK654-10	152
650	5	10	17	140	124	180	4x6213 ZZ	65	2950	PYK655-10	152
650	6	10	17	140	124	180	4x6213 ZZ	65	3500	PYK656-10	152
650	7	10	17	140	124	180	4x6213 ZZ	65	4100	PYK657-10	152
650	4	12	19	140	124	180	4x6213 ZZ	65	4600	PYK654-12	152
650	5	12	19	140	124	180	4x6213 ZZ	65	4600	PYK655-12	152
650	6	12	19	140	124	180	4x6213 ZZ	65	5200	PYK656-12	152
650	4	13	20	140	124	180	4x6213 ZZ	65	4600	PYK654-13	152
650	5	13	20	140	124	180	4x6213 ZZ	65	4600	PYK655-13	152
650	6	13	20	140	124	180	4x6213 ZZ	65	5950	PYK656-13	152
650	4	14	21	140	124	180	4x6213 ZZ	65	4600	PYK654-14	152
650	5	14	21	140	124	180	4x6213 ZZ	65	4600	PYK655-14	152
650	6	14	20	140	124	180	4x6213 ZZ	65	5950	PYK656-14	152
650	4	15	22	140	124	180	4x6213 ZZ	65	5100	PYK654-15	152
650	5	15	22	140	124	180	4x6213 ZZ	65	6450	PYK655-15	152
650	4	16	23	140	124	180	4x6213 ZZ	65	6450	PYK654-16	152
650	5	16	23	140	124	180	4x6213 ZZ	65	7450	PYK655-16	152

PYK SERİSİ
PYK SERIES

PYK SERİSİ
PYK SERIES

1:2 - 1:4 ASKI
1:2 - 1:4 ROPING

SABİT MİL
FIXED AXLE



Ø680 mm

MİL BOYU | AXLE LENGTH

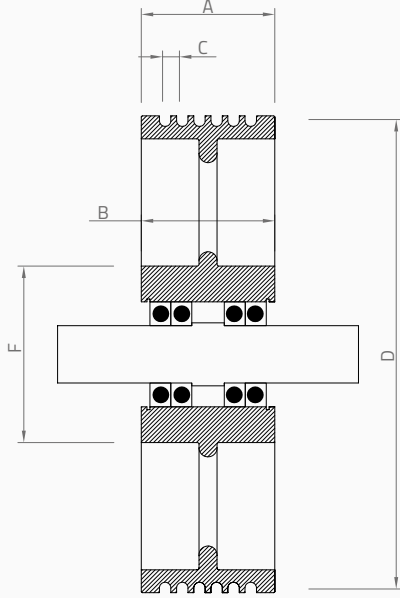
350 mm

KASNAK ÇAP NOMINAL DIAMETER (Ø mm)	KANAL SAYISI NUMBER OF GROOVES	HALAT ÇAP ROPE DIAMETER (Ø mm)	HALAT MERKEZİ DISTANCE BETWEEN ROPES (mm)	GENİŞLİK CROWN WIDTH (mm)	GÖBEK GENİŞLİK HUB WIDTH (mm)	GÖBEK DIŞ ÇAP HUB OUTSIDE DIAMETER (Ø mm)	RULMAN BALL BEARING	MİL ÇAP AXLE DIAMETER (Ø mm)	STATİK YÜK STATIC LOAD (kg)	ÜRÜN KODU PRODUCT CODE	AĞIRLIK WEIGHT (INCLUDE PILLOW BLOCKS) (kg)
D			C	A	B	E					
680	4	10	17	160	124	180	4x6213 ZZ	65	2300	PYK684-10	142
680	5	10	17	160	124	180	4x6213 ZZ	65	2950	PYK685-10	142
680	6	10	17	160	124	180	4x6213 ZZ	65	3500	PYK686-10	142
680	7	10	17	160	124	180	4x6213 ZZ	65	4100	PYK687-10	142
680	8	10	17	190	124	180	4x6213 ZZ	65	4650	PYK688-10	162
680	9	10	17	190	124	180	4x6213 ZZ	65	5200	PYK689-10	162
680	10	10	17	190	124	180	4x6213 ZZ	65	5800	PYK6810-10	162
680	4	12	19	160	124	180	4x6213 ZZ	65	4600	PYK684-12	142
680	5	12	19	160	124	180	4x6213 ZZ	65	4600	PYK685-12	142
680	6	12	19	160	124	180	4x6213 ZZ	65	5200	PYK686-12	142
680	7	12	19	160	124	180	4x6213 ZZ	65	5800	PYK687-12	142
680	8	12	19	190	124	180	4x6213 ZZ	65	6650	PYK688-12	162
680	4	13	20	160	124	180	4x6213 ZZ	65	4600	PYK684-13	142
680	5	13	20	160	124	180	4x6213 ZZ	65	4600	PYK685-13	142
680	6	13	20	160	124	180	4x6213 ZZ	65	5950	PYK686-13	142
680	7	13	20	190	124	180	4x6213 ZZ	65	6900	PYK687-13	162
680	8	13	20	190	124	180	4x6213 ZZ	65	7900	PYK688-13	162

PYK SERİSİ
PYK SERIES

1:2 - 1:4 ASKI
1:2 - 1:4 ROPING

SABİT MİL
FIXED AXLE



Ø680 mm

MİL BOYU | AXLE LENGTH

350 mm

KASNAK ÇAP NOMINAL DIAMETER (Ø mm)	KANAL SAYISI NUMBER OF GROOVES	HALAT ÇAP ROPE DIAMETER (Ø mm)	HALAT MERKEZİ DISTANCE BETWEEN ROPES (mm)	GENİSLİK CROWN WIDTH (mm)	GÖBEK GENİSLİK HUB WIDTH (mm)	GÖBEK DIŞ ÇAP HUB OUTSIDE DIAMETER (Ø mm)	RULMAN BALL BEARING	MİL ÇAP AXLE DIAMETER (Ø mm)	STATİK YÜK STATIC LOAD (kg)	ÜRÜN KODU PRODUCT CODE	AĞIRLIK WEIGHT (INCLUDE PILLOW BLOCKS) (kg)
D			C	A	B	E					
680	4	14	21	160	124	180	4x6213 ZZ	65	4600	PYK684-14	142
680	5	14	21	160	124	180	4x6213 ZZ	65	4600	PYK685-14	142
680	6	14	21	160	124	180	4x6213 ZZ	65	5950	PYK686-14	142
680	7	14	21	190	124	180	4x6213 ZZ	65	6900	PYK687-14	162
680	8	14	21	190	124	180	4x6213 ZZ	65	7900	PYK688-14	162
680	4	15	22	160	124	180	4x6213 ZZ	65	5100	PYK684-15	142
680	5	15	22	160	124	180	4x6213 ZZ	65	6450	PYK685-15	142
680	6	15	22	160	124	180	4x6213 ZZ	65	7780	PYK686-15	142
680	7	15	22	190	124	180	4x6213 ZZ	65	8950	PYK687-15	162
680	4	16	23	160	124	180	4x6213 ZZ	65	5950	PYK684-16	142
680	5	16	23	160	124	180	4x6213 ZZ	65	7350	PYK685-16	142
680	6	16	23	160	124	180	4x6213 ZZ	65	8800	PYK686-16	142
680	7	16	23	190	124	180	4x6213 ZZ	65	8950	PYK687-16	162

PYK SERİSİ
PYK SERIES