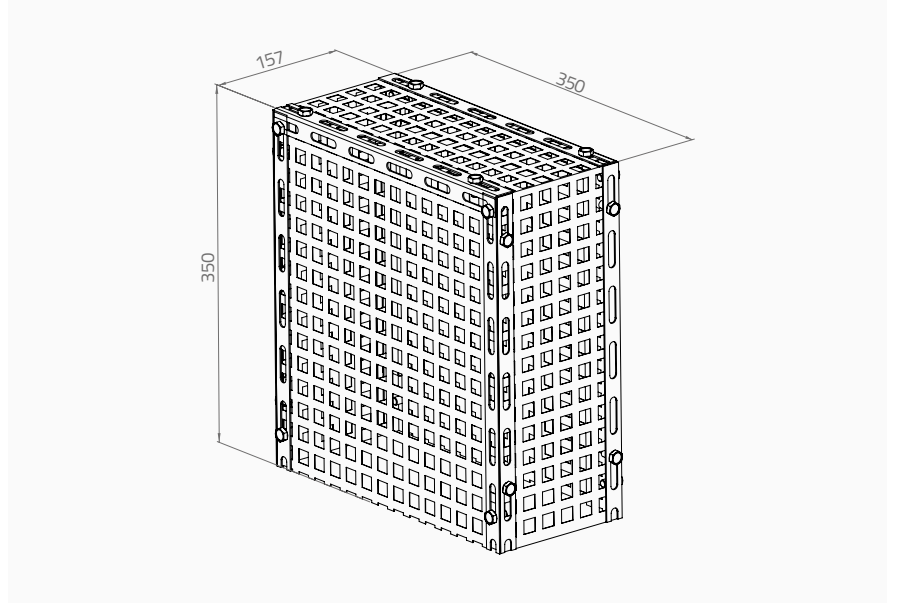
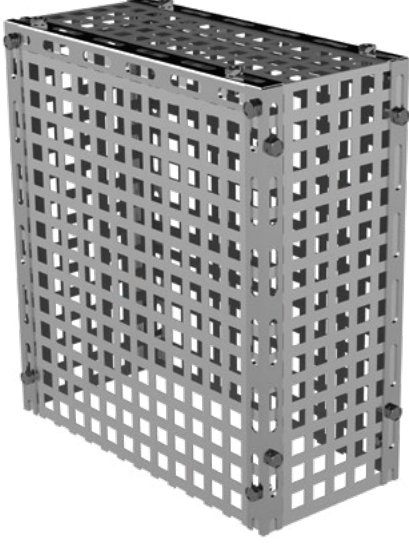


REGÜLATÖR KORUMALARI

OVERSPEED GOVERNOR COVERS

19602
REGÜLATÖR KORUMA SACI | OVERSPEED GOVERNOR PROTECTION COVER



ÜRÜN KODU PRODUCT CODE	KULLANILABİLECEK REGÜLATÖR TİPLERİ COMPATIBLE OSG TYPES		ÖLÇÜLER DIMENSIONS (mm)	MALZEME MATERIAL	SAC KALINLIĞI SHEET IRON THICKNESS (mm)	ALTI KÖŞE BAŞLI CİVATA HEXAGON HEAD BOLTS THREADED UP TO HEAD (DIN 933)	ATIKÖSE SOMUN HEXAGON NUTS (DIN 934)	AĞIRLIK WEIGHT (kg)
	KASNAK ÇAPı SHEAVE DIAMETER (mm)	TİP ADI TYPE NAME						
19602	Ø235 - Ø315	OSG A - OSG B	350x157 h:380	METAL SHEET IRON	0,8	M8x15 (16 ad/pcs)	M8 (22 ad/pcs)	2,50

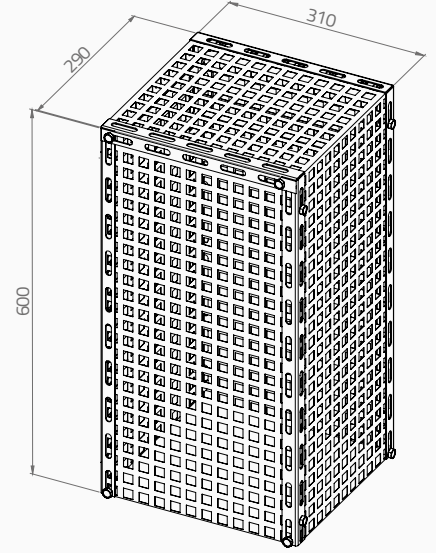
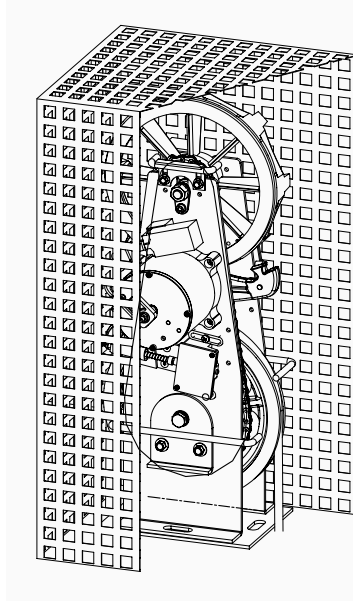
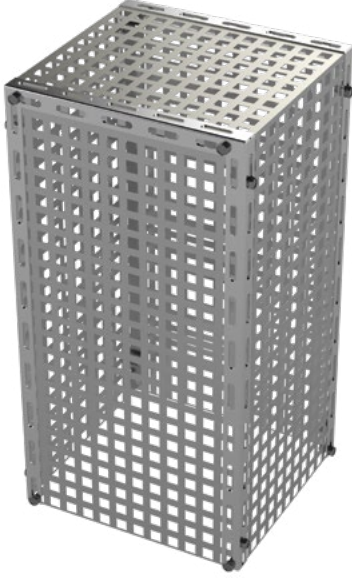
TÜM METAL YÜZEYLER GALVANİZLİDİR
ALL METAL SURFACES ARE GALVANIZED.

REGÜLATÖR KORUMALARI

OVERSPEED GOVERNOR COVERS

19603

REGÜLATÖR KORUMA SACI | OVERSPEED GOVERNOR PROTECTION COVER



ÜRÜN KODU PRODUCT CODE	KULLANILABİLECEK REGÜLATÖR TİPLERİ COMPATIBLE OSG TYPES	ÖLÇÜLER DIMENSIONS (mm)	MALZEME MATERIAL	SAC KALINLIĞI SHEET IRON THICKNESS (mm)	ALTI KÖŞE BAŞLI CİVATA HEXAGON HEAD BOLTS THREADED UP TO HEAD (DIN 933)	ATIKÖSE SOMUN HEXAGON NUTS (DIN 934)	AĞIRLIK WEIGHT (kg)
19603	KASNAK ÇAPI SHEAVE DIAMETER (mm) Ø235	TİP ADI TYPE NAME SSG	METAL SHEET IRON	0,8	M8x15 (16 ad/pcs)	M8 (22 ad/pcs)	3,80

TÜM METAL YÜZEYLER GALVANİZLİDİR
ALL METAL SURFACES ARE GALVANIZED.