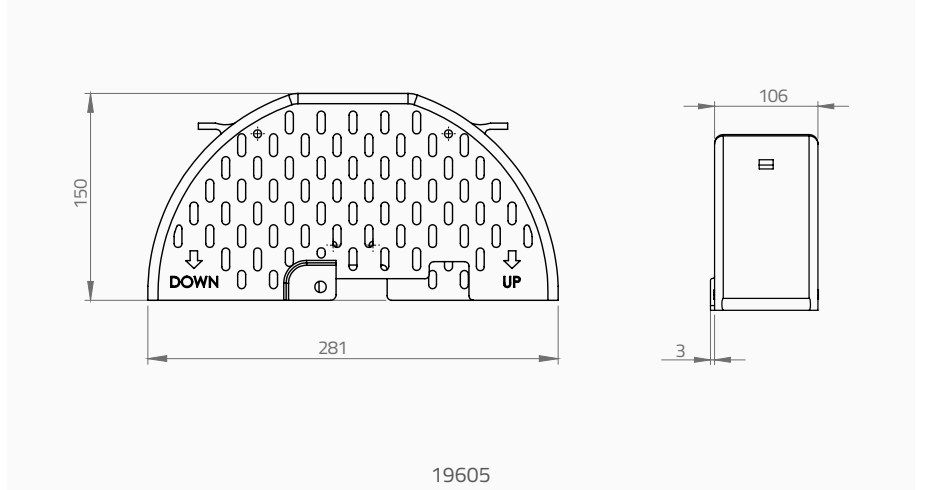
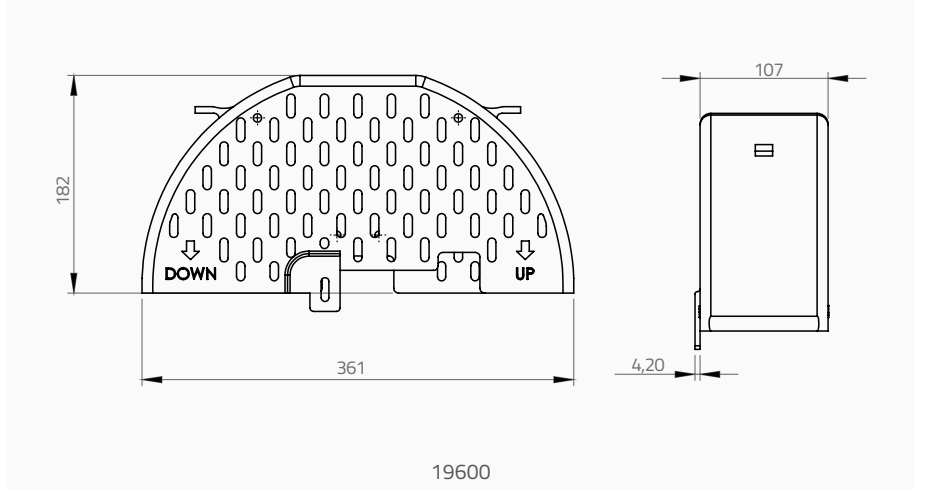


REGÜLATÖR KORUMALARI

OVERSPEED GOVERNOR COVERS

19600 - 19605

REGÜLATÖR YARIM KORUMA | OVERSPEED GOVERNOR HALF PROTECTION COVER



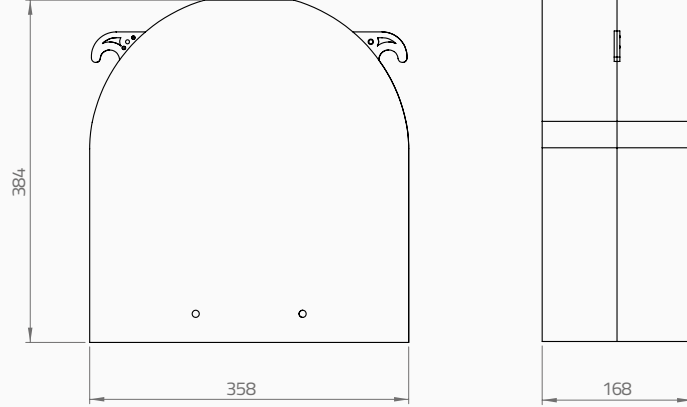
ÜRÜN KODU PRODUCT CODE	KULLANILABİLECEK REGÜLATÖR TİPLERİ COMPATIBLE OSG TYPES	ÖLÇÜLER DIMENSIONS (mm)	MALZEME MATERIAL	ALTI KÖŞE BAŞLI CİVATA HEXAGON HEAD BOLTS THREADED UP TO HEAD (DIN 933)	AĞIRLIK WEIGHT (kg)
	KASNAK ÇAPI SHEAVE DIAMETER (mm)	TİP ADI TYPE NAME			
19600	Ø315	OSG B	PLASTİK PLASTIC	M6x25 (1 ad/pcs)	0,40
19605	Ø235	OSG A	PLASTİK PLASTIC	M6x25 (1 ad/pcs)	0,32

REGÜLATÖR KORUMALARI

OVERSPEED GOVERNOR COVERS

19601

REGÜLATÖR TAM KORUMA | OVERSPEED GOVERNOR FULL PROTECTION COVER



ÜRÜN KODU PRODUCT CODE	KULLANILABİLECEK REGÜLATÖR TİPLERİ COMPATIBLE OSG TYPES	ÖLÇÜLER DIMENSIONS (mm)	MALZEME MATERIAL	ALTI KÖŞE BAŞLI CİVATA HEXAGON HEAD BOLTS THREADED UP TO HEAD (DIN 933)	AĞIRLIK WEIGHT (kg)	
19601	KASNAK ÇAPI SHEAVE DIAMETER (mm) Ø235 - Ø315	TİP ADI TYPE NAME OSG A - OSG B	358x168 h:384	PLASTİK PLASTIC	M6x50 (4 ad/pcs)	1,70