

## ALY03

# KAYDIRMASIZ FREN BLOKU | INSTANTANEOUS SAFETY GEAR

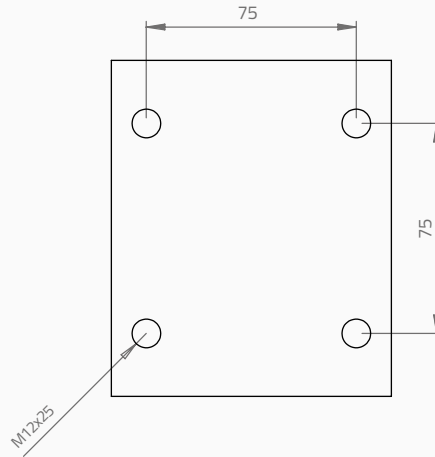
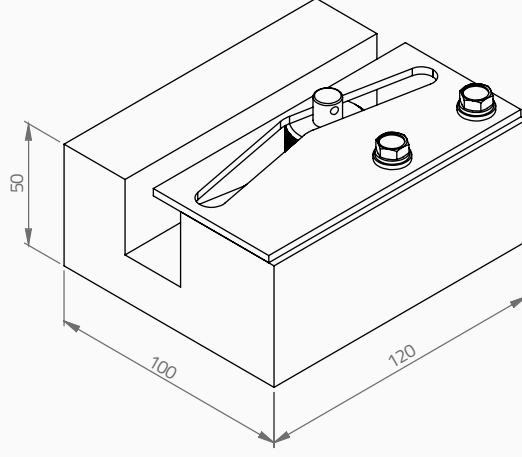
DIN EN81-20/-50  
2014/33/EU



| 9 mm  | KAPASİTE<br>CAPACITY (P+Q) (kg)    | 3450 | 3813 | 4078 | 4312 | 4441 |
|-------|------------------------------------|------|------|------|------|------|
|       | NOMİNAL HIZ<br>NOMINAL SPEED (m/s) | 0.63 | 0.50 | 0.40 | 0.30 | 0.20 |
| 16 mm | KAPASİTE<br>CAPACITY (P+Q) (kg)    | 3450 | 3813 | 4078 | 4312 | 4441 |
|       | NOMİNAL HIZ<br>NOMINAL SPEED (m/s) | 0.63 | 0.50 | 0.40 | 0.30 | 0.20 |

| FRENLEME YÖNÜ<br>DIRECTION | VA (MAX) FRENLEME HIZI<br>TRIPPING SPEED | MİN TAŞIMA KAPASİTESİ (P+Q)<br>MIN LOAD | KILAVUZ RAY TİPİ<br>GUIDE RAIL TYPE                    | KILAVUZ RAY<br>YAĞ ÖZELLİKLERİ<br>LUBRICATOR OIL<br>FOR GUIDE RAIL | KILAVUZ RAY<br>ÖZELLİKLERİ<br>GUIDE RAIL CHARACTER |
|----------------------------|--|---|--|--|--|
| AŞAĞI<br>DOWN              | 1.00 m/s                                 | 450 kg                                  | T70 - T75 - T82 - T89<br>- T90 - T114 - T125<br>- T127 | DIN51524<br>HLP32<br>HLP46   | SOĞUK ÇEKME VE İŞLENMİŞ<br>COLD DRAWN & MACHINED   |

| BELGE KURULUŞU<br>NOTIFIED BODY | BELGE NO<br>REGISTERED NO | TİP ADI<br>TYPE NAME | BELGE GEÇERLİLİK TARİHİ<br>VALID DATE |
|---------------------------------|---------------------------|----------------------|---------------------------------------|
| LIFT TU-SOFIA                   | 938/TE/20.02.2018         | ALY03                | 20.02.2023                            |



## BAĞLANTI PARÇALARI | CONNECTION PARTS

|  |              |         |                            |              |
|--|--------------|---------|----------------------------|--------------|
| Gövde Civataları   <i>Body Bolts</i>             | M12x25 (8.8) | DIN 933 | Kaplamasız / Without Cover | 8 Adet   Pcs |
| Gövde Yaylı Rondela   <i>Body Spring Washers</i> | M12          | DIN 127 | Galvanizli / Galvanized    | 8 Adet   Pcs |
| Kopilya   <i>Split Pin</i>                       | 2x20         | DIN 94  | Galvanizli / Galvanized    | 2 Adet   Pcs |

## KOLİ BİLGİLERİ | PACKING MEASURE

| ÜRÜN KODU<br>PRODUCT CODE | ÜRÜN ADI<br>PRODUCT DESCRIPTION   | EN<br>WIDTH (cm) | BOY<br>LENGTH (cm) | YÜKSEKLİK<br>HEIGHT (cm) | AĞIRLIK<br>WEIGHT (kg) |
|---------------------------|---|------------------|--------------------|--------------------------|------------------------|
| 9920                      | KAYDIRMASIZ FREN BLOKU TEK TEKER 9 mm<br>INSTANTANEOUS SAFETY GEAR 9 mm   | 24               | 17                 | 18                       | 7.8                    |
| 9921                      | KAYDIRMASIZ FREN BLOKU TEK TEKER 16 mm<br>INSTANTANEOUS SAFETY GEAR 16 mm |                  |                    |                          |                        |