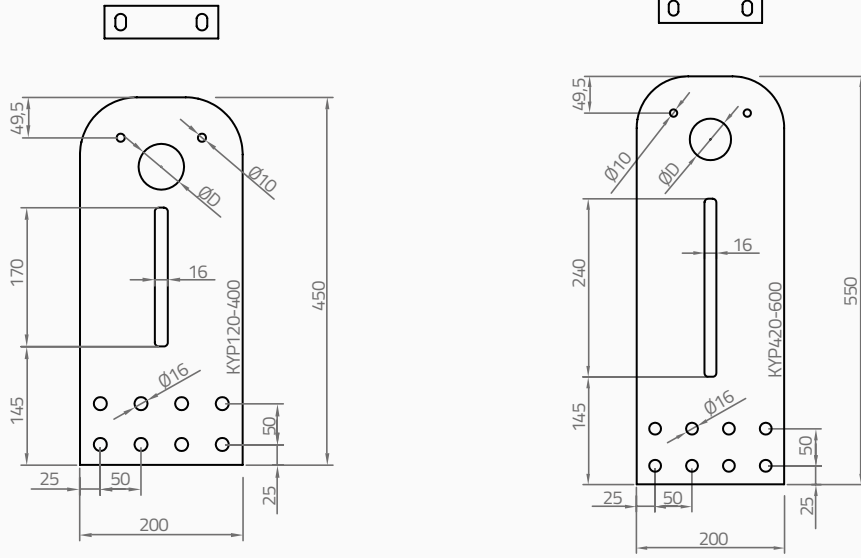




**KASNAK YAN PLAKA**  
***SHEAVE SIDE PLATES***

## KAPLAMASIZ SERİ NO COATING SERIES

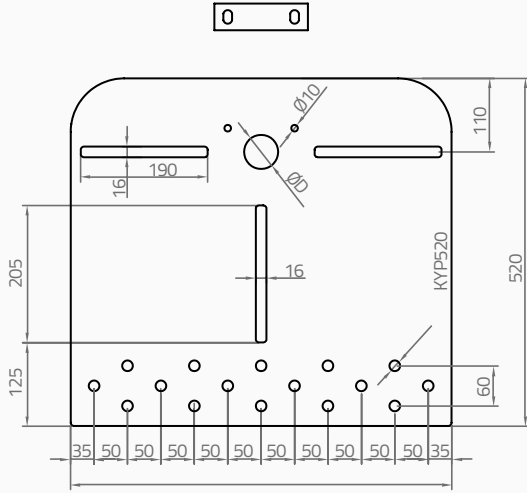
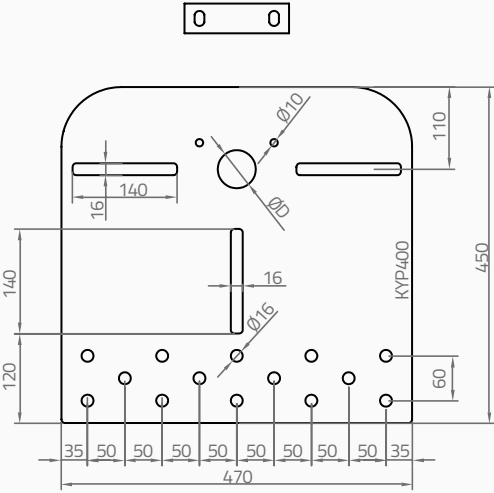
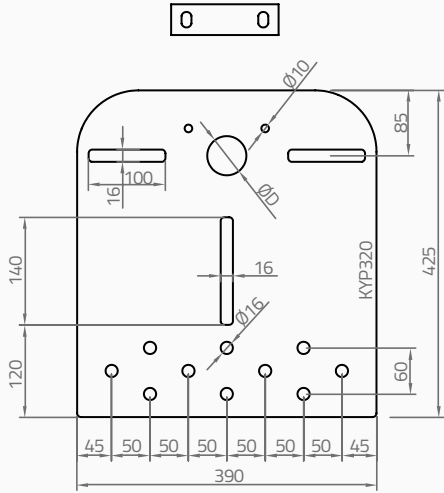
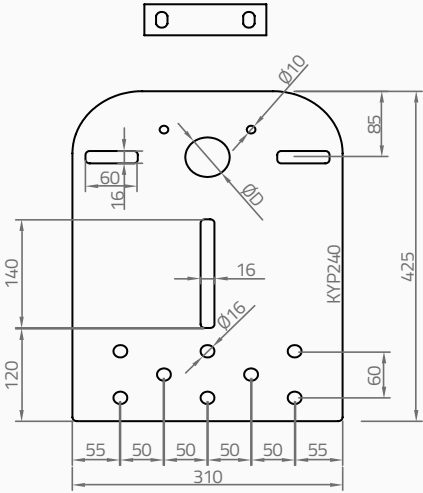


ÜRÜN KODU PRODUCT CODE	KASNAK ÇAPı SHEAVE DIAMETER (mm)	DELİK ÇAPı HOLE DIAMETER (mm) ØD	SAC KALINLIK SHEET IRON THICKNESS (mm)
KYP120-400	120 - 160 - 180 - 210 - 240 - 260 - 280 - 320 - 360 - 400	51 - 56 - 61 - 66	10
KYP420-600	420 - 480 - 500 - 520 - 560 - 600	51 - 56 - 61 - 66	10

PLAKALARDA KAPLAMA YOKTUR  
NO COATING ON THE PLATE

HALAT ATMA PİMİ, CİVATA, SOMUN VE PUL YOKTUR.  
NO ROPE RETAINERS PIN, SCREWS, NUTS AND WASHER.

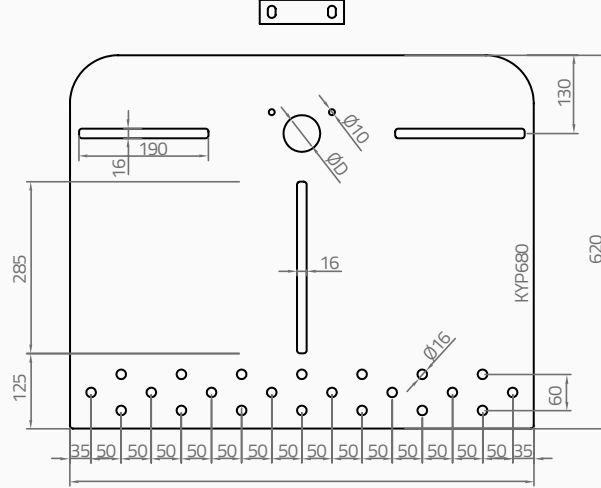
**BOYALI SERİ**  
PAINT SERIES



**KASNAK YAN PLAKA**  
**SHEAVE SIDE PLATES**

## KYP SERİSİ

### KYP SERIES



ÜRÜN KODU PRODUCT CODE	KASNAK ÇAPİ SHEAVE DIAMETER (mm)	DELİK ÇAPİ HOLE DIAMETER (mm) ØD	HALAT ATMA PİM SAYISI ROPE RETAINERS PIN NUMBER (pcs)	SAC KALINLIK SHEET IRON THICKNESS (mm)	STANDART KAPLAMA STANDART COVER
KYP240	180 - 240	51 - 56 - 61 - 66	3	10	ELEKTROSATIK BOYALI   PAINT
KYP320	260 - 280 - 320	51 - 56 - 61 - 66	3	10	ELEKTROSATIK BOYALI   PAINT
KYP400	360 - 400	51 - 56 - 61 - 66	3	10	ELEKTROSATIK BOYALI   PAINT
KYP520	420 - 450 - 480 - 520	51 - 56 - 61 - 66	3	10	ELEKTROSATIK BOYALI   PAINT
KYP680	560 - 600 - 650 - 680	51 - 56 - 61 - 66	3	12	ELEKTROSATIK BOYALI   PAINT

HALAT ATMA PİMİ ROPE RETAINERS PIN	ÖLÇÜ DIMENSIONAL	MİKTAR QUANTITY	KAPLAMA COVER (DIN 934-8 ZİNC)	KAPLAMA COVER (DIN 934-8 ZİNC)
PİM (SAPLAMA)   THREAD BAR	M16	3	GALVANİZLİ   GALVANIZED	DIN 975
SOMUN   NUT	M16	12	GALVANİZLİ   GALVANIZED	DIN 934 & ASME B 18.2.2
PUL   WASHER	M16	6	GALVANİZLİ   GALVANIZED	DIN 125

KAMA PLAKA CİVATALARI WEDGE PLATE SCREWS	ÖLÇÜ DIMENSIONAL	MİKTAR QUANTITY	KAPLAMA COVER (DIN 934-8 ZİNC)	KAPLAMA COVER (DIN 934-8 ZİNC)
ALTİKÖŞE ANAHTAR BAŞLI CİVATA HEXAGON HEAD BOLTS THREADED UP TO HEAD	M12	4	GALVANİZLİ GALVANIZED	DIN 933
PUL WASHER	M12	4	GALVANİZLİ GALVANIZED	DIN 125