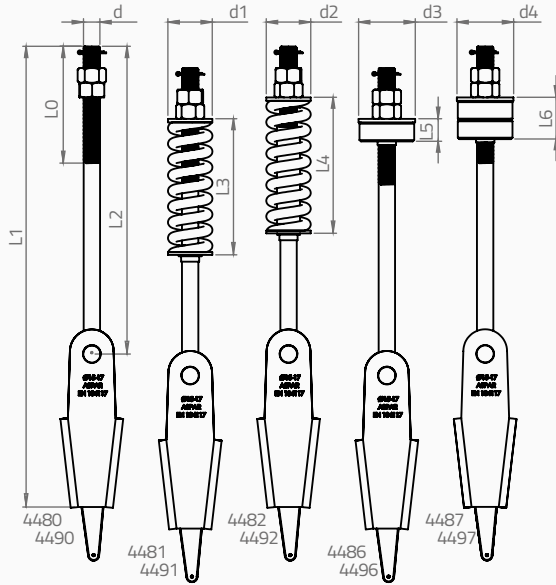
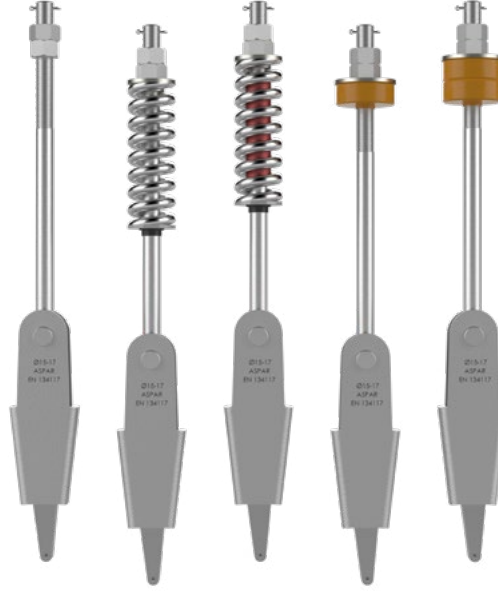


Ø15-17 mm HALAT ŞİŞESİ | ROPE ATTACHMENT

EN13411-7



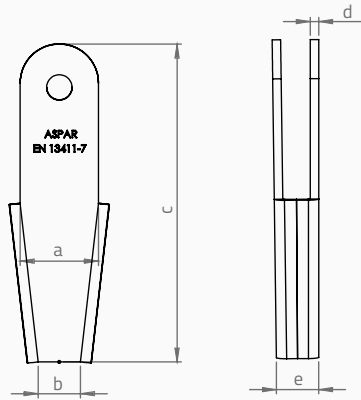
TÜM METAL YÜZEYLER GALVANİZ KAPLANMIŞTIR
ALL SURFACE ARE GALVANIZED

TÜM HALAT ŞİŞELERİ HALAT KOPMA YÜKÜ (154,2 kN)
TESTLERİNDEN BAŞARI İLE GEÇMİŞTİR
ALL THE ROPE ATTACHMENTS PASSED THE ROPE BREAKING FORCE
(154,2 kN) TESTS SUCCESSFULLY.

KOD CODE	L0	L1	L2	L3	L4	L5	L6	d	d1	d2	d3	d4
4480	170	674	450					M24				
4481	170	674	450	200				M24	65			
4482	170	674	450		200			M24		65		
4486	170	674	450			33		M24			83	
4487	170	674	450				61	M24				83
4490	470	974	750					M24				
4491	470	974	750	200				M24	65			
4492	470	974	750		200			M24		65		
4496	470	974	750			33		M24			83	
4497	470	974	750				61	M24				83

EN13411-7

Ø15-17 mm
GÖVDE | BODY

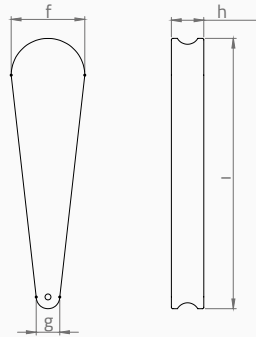


MALZEME | MATERIAL
SAC GÖVDE | SHEETIRON

a	b	c	d	e
70	40	260	10	43

EN13411-7

Ø15-17 mm
KAMA | WEDGE

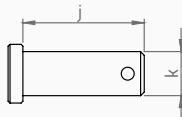


MALZEME | MATERIAL
PIK DÖKÜM | CASTIRON
EN-GJMW-400-5
EN-GJL-200

f	g	h	i
46	16	21	162

EN13411-7

Ø15-17 mm
PİM | PIN

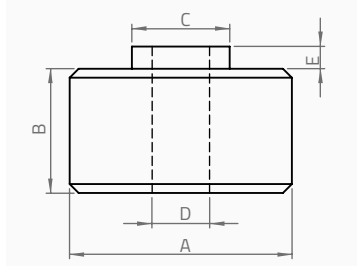
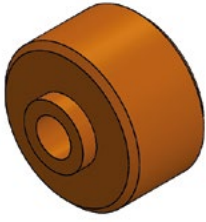


MALZEME | MATERIAL
METAL | ROUND METAL BAR
10083 - 1 C 35 E

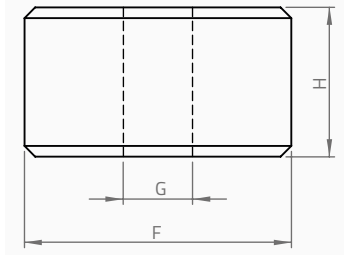
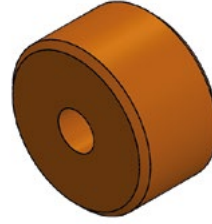
j	k
66	Ø22

Ø15-17 mm

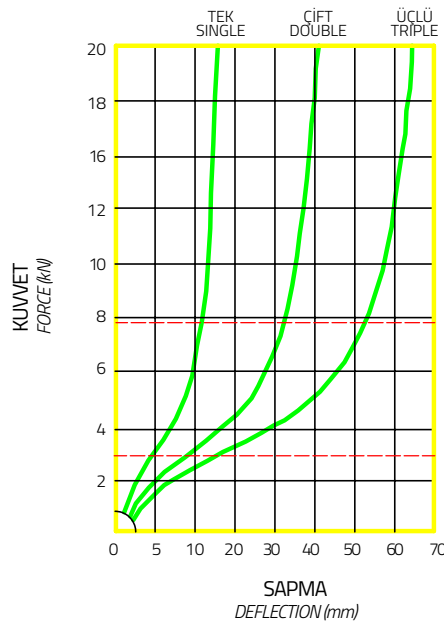
POLIÜRETAN LASTİK | POLYURETHANE CABLE BUFFER



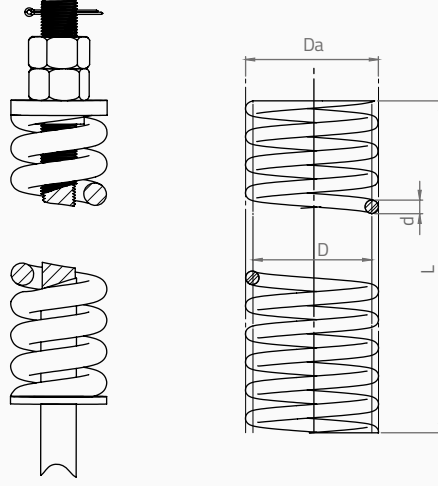
TİP TYPE	A	B	C	D	E
L5 - L6	80	28	27	25	5



TİP TYPE	F	G	H
L6	80	25	28



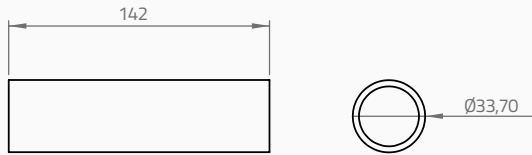
Ø15-17 mm YAY | SPRING



MALZEME | MATERIAL
DIN 17223 B - EN 10270B

DİŞ ÇAP OUTER DIAMETER	MERKEZ ÇAPI MID THREAD DIAMETER	TEL ÇAPI DIAMETER SPRING WIRE	BOY UNSTRESSED LENGHT	KUVVET ELESTIC FORCE	STROK RANGE OF SPRING	YAY SABİTİ SPRING RATE CONSTANT
mm	mm	mm	mm	N	mm	N/mm
Da	D	d	L	F	L1	k
65	50	15	190	11963	25	486,78

Ø12-14 mm YAY BORUSU | SPRING STOPPER



MALZEME | MATERIAL
METAL | METAL

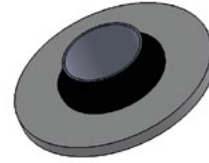
KOLİ BİLGİLERİ | PACKING MEASURE

ÜRÜN ADI PRODUCT DESCRIPTION	KOLİDEKİ ADET QUANTITY IN PACKAGE (pcs)	EN WIDTH (cm)	BOY LENGTH (cm)	YÜKSEKLİK HEIGHT (cm)	AĞIRLIK WEIGHT (kg)
Ø15-17 HALAT ŞİŞESİ Ø15-17 ROPE ATTACHMENT	4	32	77	14	32,80

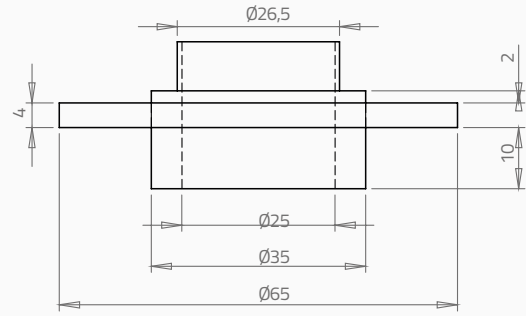
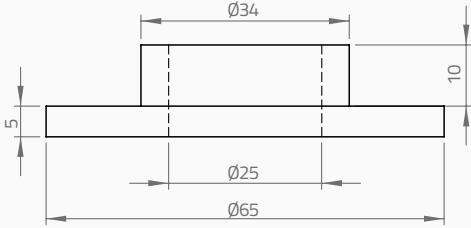
Ø15-17 mm
4481 | 4482 | 4491 | 4492



METAL
SHEET IRON



KAUÇUK
RUBBER



Ø15-17 mm
4486 | 4487 | 4496 | 4497



METAL
SHEET IRON

