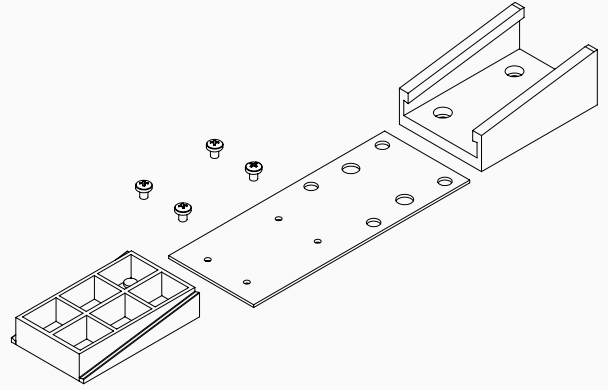
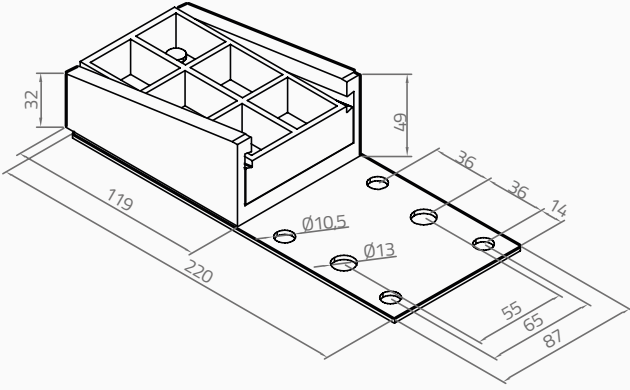


6001

## FLEKSİBİL KABLO TAKOZU | FLEXIBLE CABLE HOLDER



ÜRÜN KODU PRODUCT CODE	GÖVDE MALZEMESİ BODY MATERIAL	MAX KABLO GENİŞLİĞİ MAX CABLE WIDTH (mm)	MAX KABLO YÜKSEKLİĞİ MAX CABLE HIGH	ÇALIŞMA SICAKLIĞI TEMPERATURE RANGE FROM	MAX TAŞIMA KAPASİTESİ MAX LOAD CAPACITY (kg)	KABLO TİPİ CABLE TYPE
6001	PLASTİK PLASTIC	72	6	-10°C +60°C		12-18-24

VİDA SCREW				BİRİM AĞIRLIK UNIT WEIGHT (kg)
YSB / CROSS RECESSED RAISED CHEESE HEAD	ADET QUANTITY	KAPLAMA COVER	STANDART STANDART	
M6x10	4	GALVANİZ GALVANIZED (DIN934-8 ZINC)	DIN 7985	0,660

### KOLİ BİLGİLERİ | PACKING MEASURE

KOLİ ADETİ PACKAGE QUANTITY (Pcs)	EN WIDTH (cm)	BOY LENGTH (cm)	YÜKSEKLİK HEIGHT (cm)	AĞIRLIK WEIGHT (kg)
45	34	39	34	29