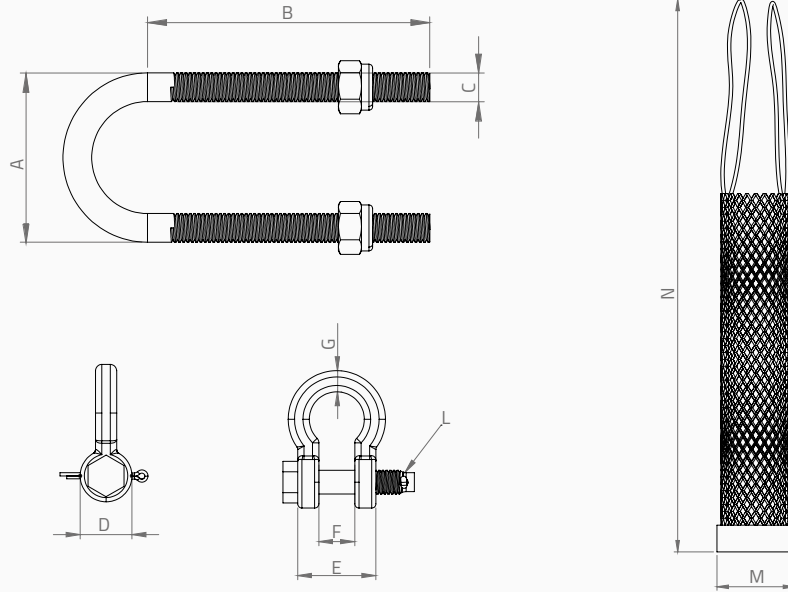


DENGE ZİNCİRİ | COMPENSATION CHAIN



ÜRÜN KODU PRODUCT CODE	A (mm)	B (mm)	C (mm)	KOPMA YÜKÜ BROKEN LOAD (kN)	D (mm)	E (mm)	F (mm)	G (mm)	L (mm)	KOPMA YÜKÜ BROKEN LOAD (kN)
DZ112-DZ150-DZ188-DZ224-DZ263-DZ300	60	90	10	34	23	28	12	12	M10X50	34
DZ373-DZ447-DZ522-DZ596	60	90	14	65	27	36	18	16	M14X60	65

ÜRÜN KODU PRODUCT CODE	M (mm)	N (mm)
DZ112-DZ150-DZ188-DZ224	32	70
DZ112-DZ150-DZ188-DZ224-DZ263	34	70
DZ263-DZ300-DZ373	42	70