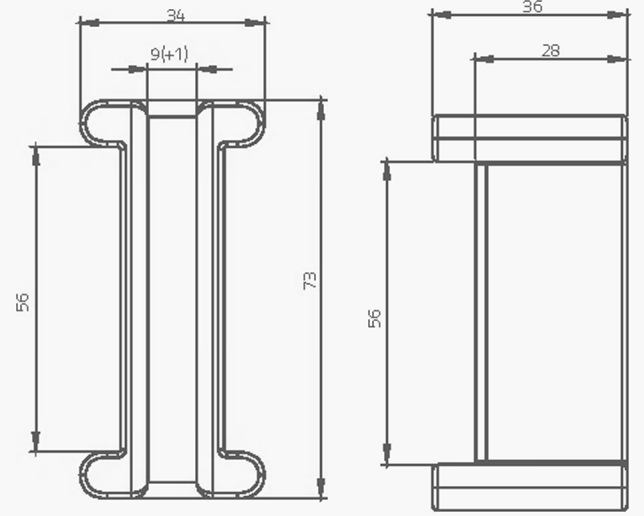
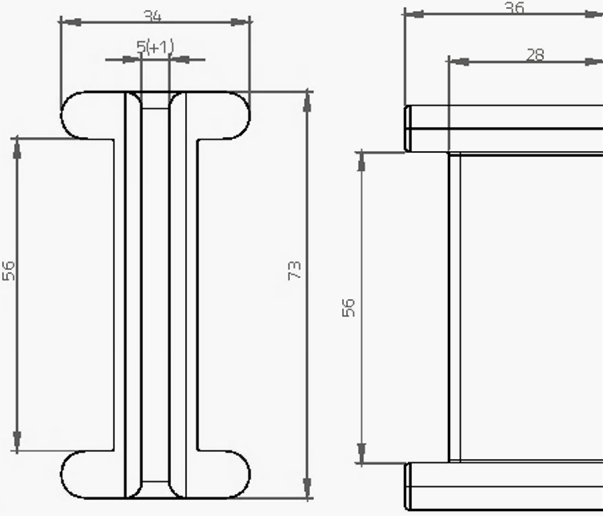
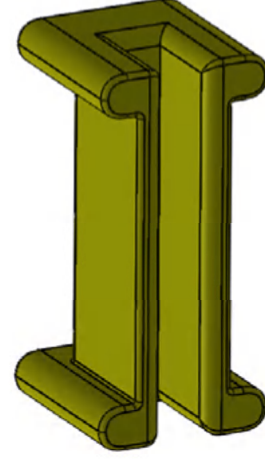
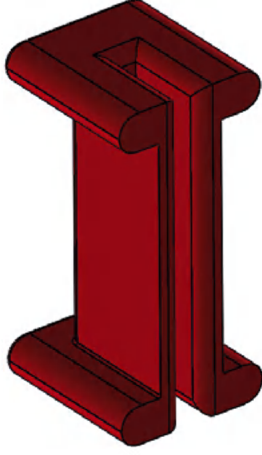


# AĞIRLIK PATEN PLASTİĞİ

## UNIVERSAL CWT INSERT



AĞIRLIK SAC PATEN PLASTİĞİ 5mm | UNIVERSAL CWT INSERT 5mm

AĞIRLIK SAC PATEN PLASTİĞİ 9mm | UNIVERSAL CWT INSERT 9mm

| ÜRÜN KODU<br>PRODUCT CODE | MALZEME<br>MATERIAL       | RAY KALINLIK<br>GUIDE RAIL BLADE THICKNESS (mm) | AĞIRLIK<br>WEIGHT (gram) |
|---------------------------|---------------------------|---|--------------------------|
| 2820                      | POLİÜRETAN   POLYURETHANE | 5   | 44                       |
| 2821                      | POLİÜRETAN   POLYURETHANE | 9   | 31                       |
| 2830                      | POLYAMİD   POLYAMIDE      | 5   | 46                       |
| 2831                      | POLYAMİD   POLYAMIDE      | 9   | 33                       |